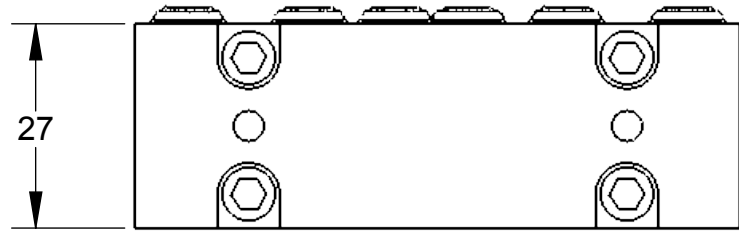
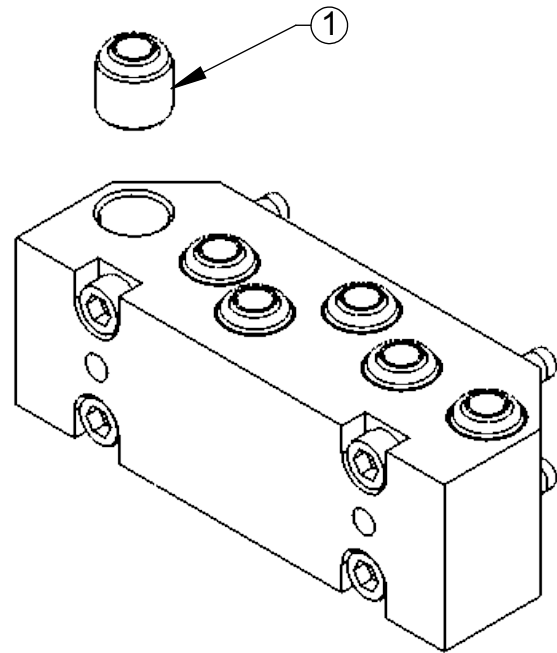
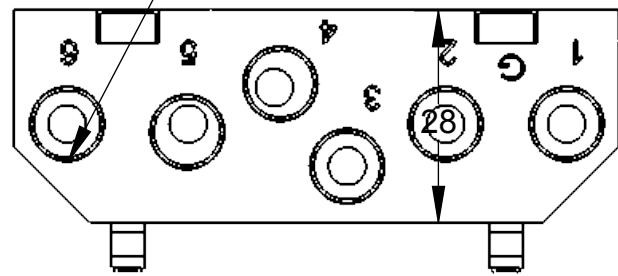


Rev.	Description	Initiator	Date
04	Eco 16180; Added "G" Engraving. Corrected Notes.	CF	10/30/2017

P186A Master Module
(9120-P186A-M-E)

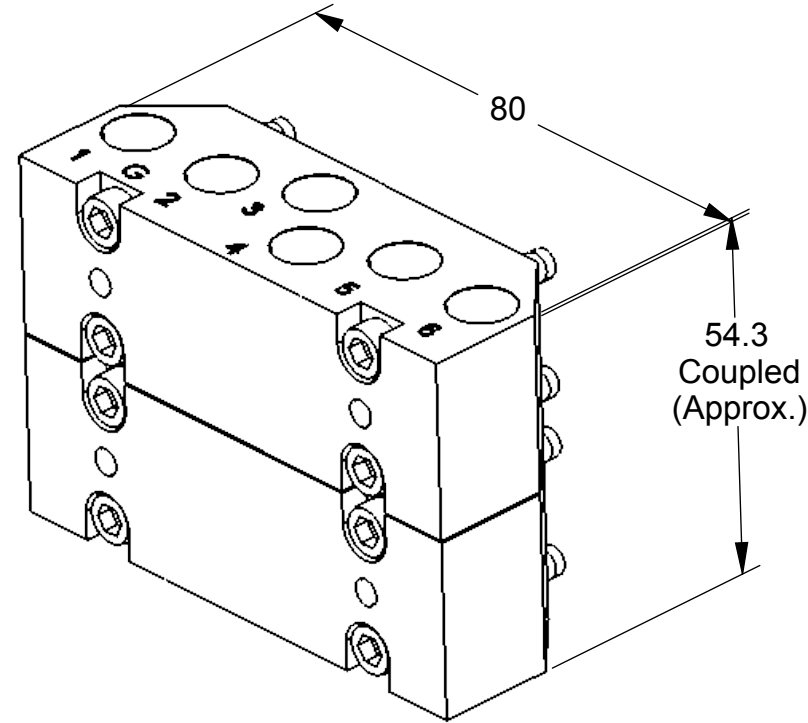


(6) G1/8 Pneumatic Pass-Thru Ports
(Air Service)

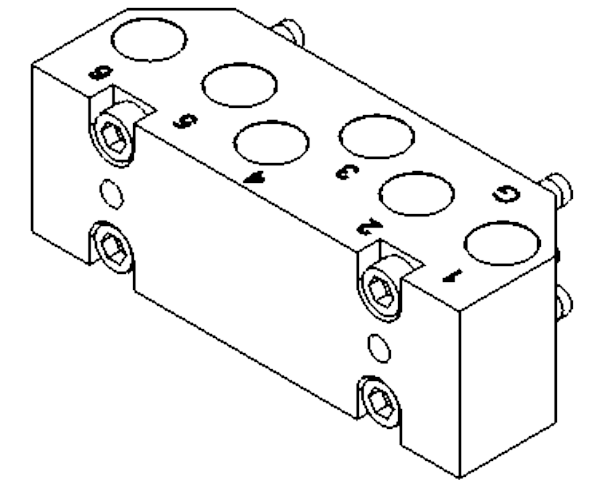
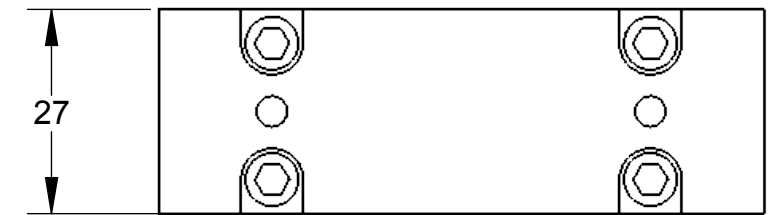
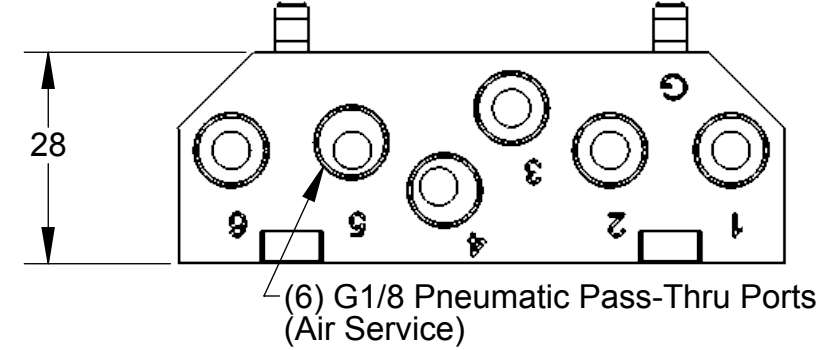


P186A-M Serviceable Parts

ITEM NO.	serviceable/QTY.	PART NUMBER	
1	6	4010-0000013-01	1/8" NPT Rubber Bushing, Nitrile



P186A-E Tool Module
(9120-P186A-T-E)



P186A-T No Serviceable Parts

Notes:

Material of Construction:

1. Housing - Anodized Aluminum
2. Bushing - Nitrile

Operation:

1. Pneumatic Operation Only.
2. For optimum performance inspect mating surfaces regularly to ensure they are free from debris.

NOTES: UNLESS OTHERWISE SPECIFIED.

DO NOT SCALE DRAWING. ALL DIMENSIONS ARE IN MILLIMETERS.



3rd ANGLE PROJECTION



1031 Goodworth Drive, Apex, NC 27539, USA
Tel: +1.919.772.0115 Email: info@ati-ia.com
Fax: +1.919.772.8259 www.ati-ia.com
ISO 9001 Registered Company

PROPERTY OF ATI INDUSTRIAL AUTOMATION, INC. NOT TO BE REPRODUCED IN ANY MANNER EXCEPT ON ORDER OR WITH PRIOR WRITTEN AUTHORIZATION OF ATI.

DRAWN BY: J. Williams, 12/11/06		TITLE	
CHECKED BY: D. Lawson, 12/13/06		P186A-E Module Drawing	
PROJECT # 061108-1	SHEET 1 OF 1	SCALE 1:1	SIZE B
		DRAWING NUMBER	REVISION
		9630-20-P186A-E	04