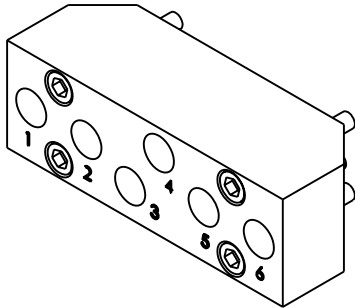
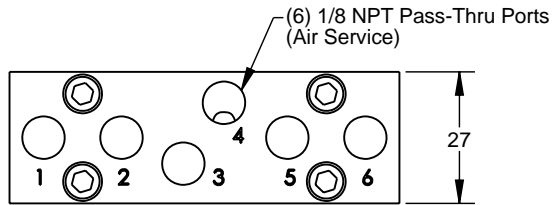
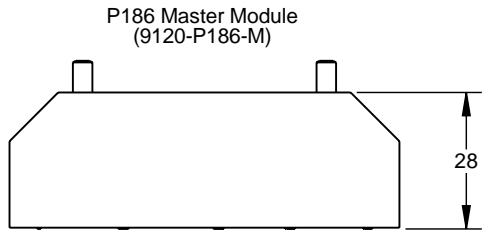
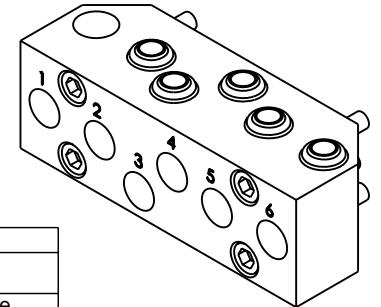
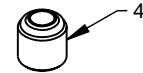
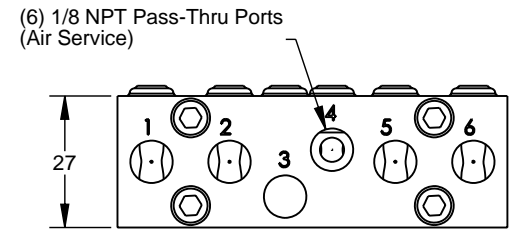
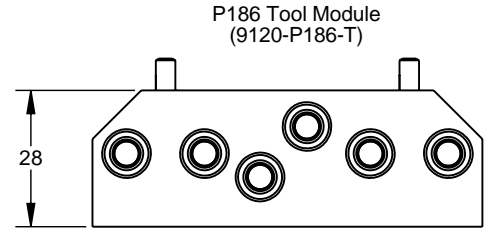
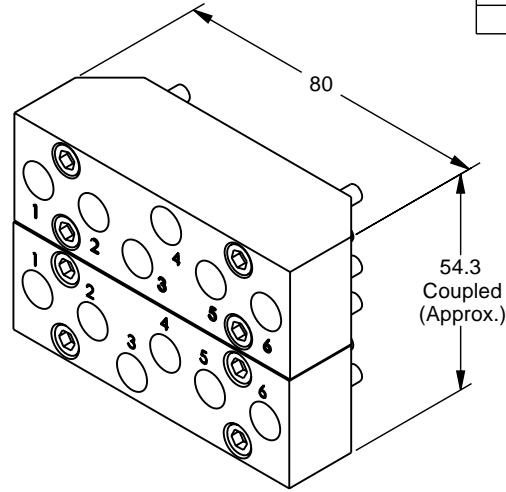


PROPERTY OF ATI INDUSTRIAL AUTOMATION, INC.
 NOT TO BE REPRODUCED IN ANY MANNER EXCEPT ON
 ORDER OR WITH PRIOR WRITTEN AUTHORIZATION OF ATI.

Rev.	Description	Initiator	Date
01	Initial Issue	PS	10/26/2004
02	ECO 5349 Add Port IDs	JEW	5/15/2007



P186-M No Serviceable Parts



Notes:
 Material of Construction:
 1. Housing - Anodized Aluminum
 2. Other - Nitrile

Operation:
 1. Pneumatic Operation Only.
 2. For optimum performance inspect mating surfaces regularly to ensure they are free of debris.

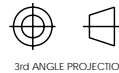
P186-T Serviceable Parts

ITEM NO.	QTY.	PART NUMBER	DESCRIPTION
3	4	3500-1062030-15A	M4 x 30mm SHCS MB w/Microspheres
4	6	4010-0000013-01	1/8" NPT Rubber Bushing, Nitrile

NOTES: UNLESS OTHERWISE SPECIFIED
 DO NOT SCALE DRAWING. DRAWN IN SOLIDWORKS.
 ALL DIMENSIONS ARE IN MILLIMETERS.



1031 Goodworth Drive, Apex, NC 27539, USA
 Tel: +1.919.772.0115 Email: info@ati-ia.com
 Fax: +1.919.772.8259 www.ati-ia.com
 ISO 9001 Registered Company



3rd ANGLE PROJECTION

DRAWN BY: P.Sparrow, 10/26/04	TITLE: P186 Module Drawing		
CHECKED BY: B.Digeso, 11/1/04	SCALE: 1:1	SIZE: B	DRAWING NUMBER: 9630-20-P186-02
WEIGHT LBS: 0.28	PRODUCT RELEASE # 030725-3 DATE:		
ASSEMBLY REF:	SHEET 1 OF 1		