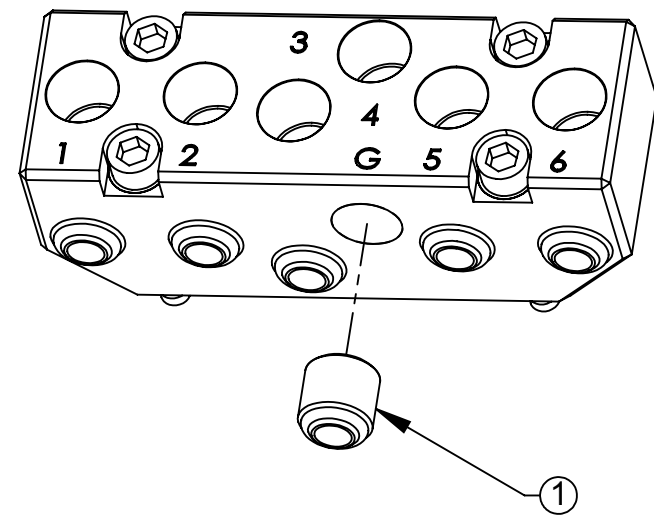
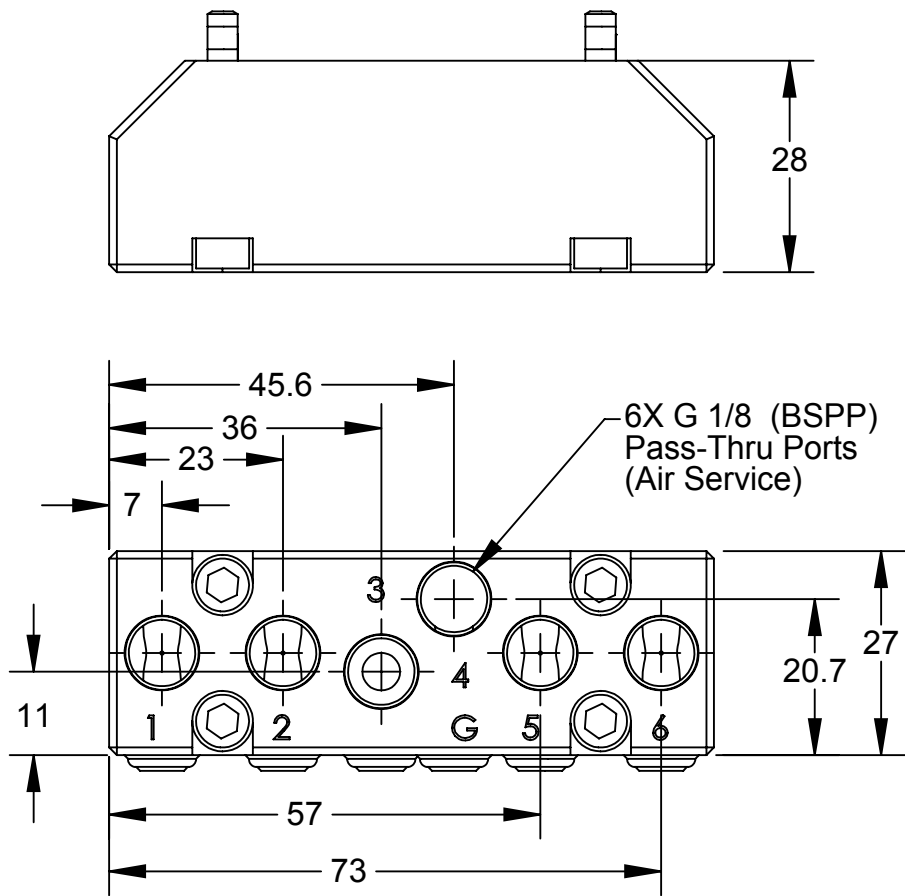


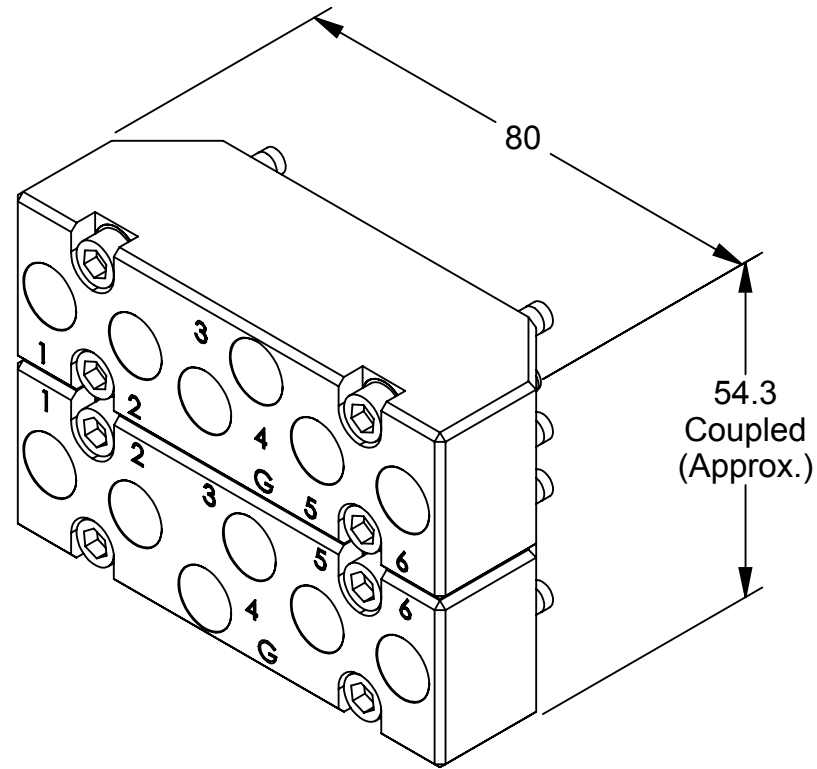
Rev.	Description	Initiator	Date
02	ECO 16604; Updated to show "G" on customer interface	DS	5/25/2018

**P186-E Master Module  
(9120-P186-M-E)**



**P186-M-E Serviceable Parts**

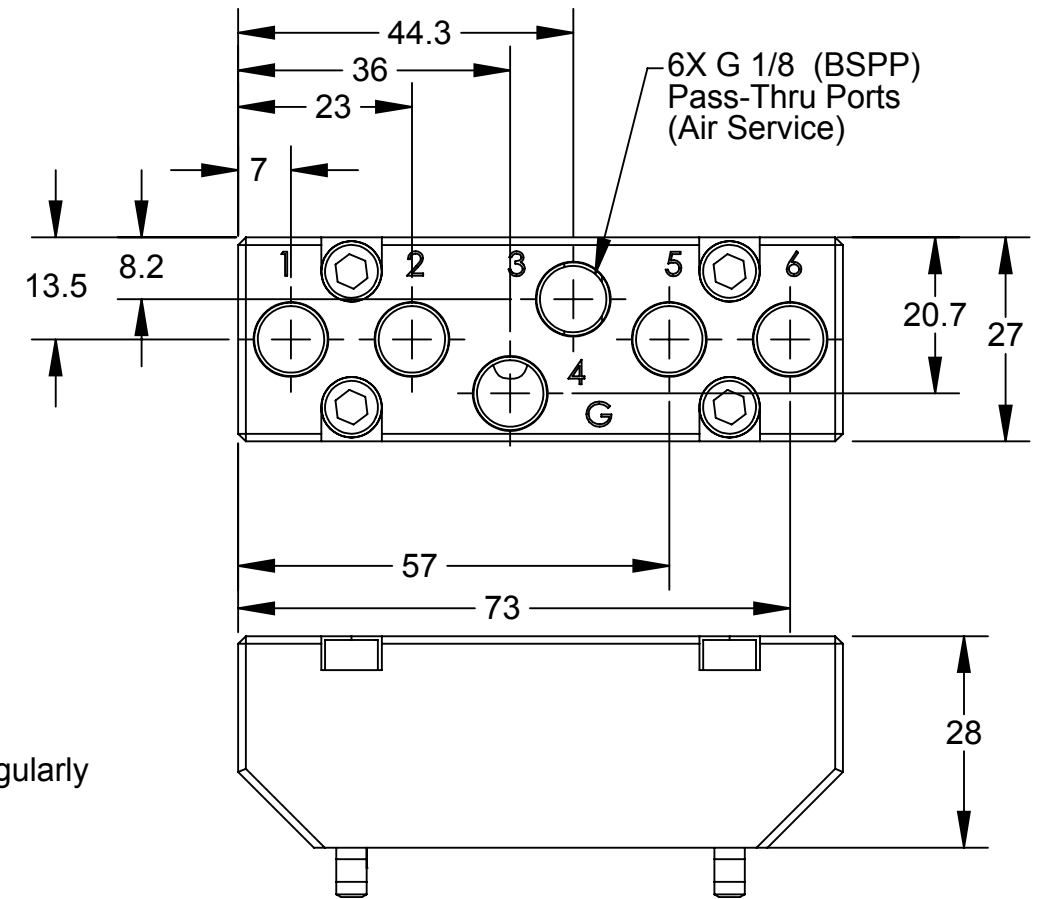
ITEM NO.	QTY.	PART NUMBER	DESCRIPTION
1	6	4010-0000013-01	1/8" NPT Rubber Bushing, Nitrile



**Notes:**  
**Material of Construction:**  
 1. Housing - Anodized Aluminum  
 2. Other - Nitrile

**Operation:**  
 1. Pneumatic Operation Only.  
 2. For optimum performance inspect mating surfaces regularly to ensure they are free of debris.

**P186-E Tool Module  
(9120-P186-T-E)**



**P186-T-E No Serviceable Parts**

NOTES: UNLESS OTHERWISE SPECIFIED.

DO NOT SCALE DRAWING. ALL DIMENSIONS ARE IN MILLIMETERS.



3rd ANGLE PROJECTION



1031 Goodworth Drive, Apex, NC 27539, USA  
 Tel: +1.919.772.0115 Email: info@ati-ia.com  
 Fax: +1.919.772.8259 www.ati-ia.com  
 ISO 9001 Registered Company

PROPERTY OF ATI INDUSTRIAL AUTOMATION, INC. NOT TO BE REPRODUCED IN ANY MANNER EXCEPT ON ORDER OR WITH PRIOR WRITTEN AUTHORIZATION OF ATI.

DRAWN BY: D. Wagner 6/27/13		TITLE	
CHECKED BY: DSS 6/27/13		P186-E Module Drawing	
PROJECT #	SHEET 1 OF 1	SCALE	REVISION
		1:1	02
		SIZE	
		B	
		DRAWING NUMBER	
		9630-20-P186-E	