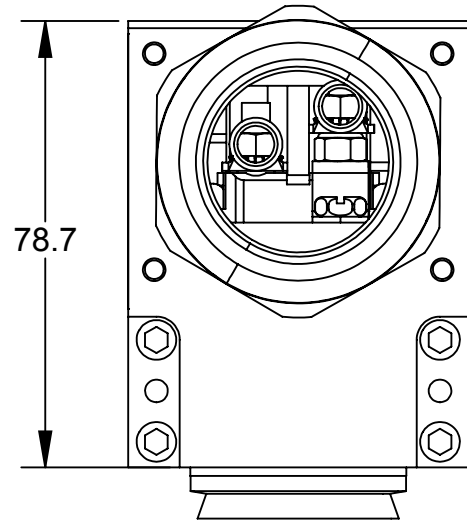


**"DANGER!" - Electrical Shock Hazard**

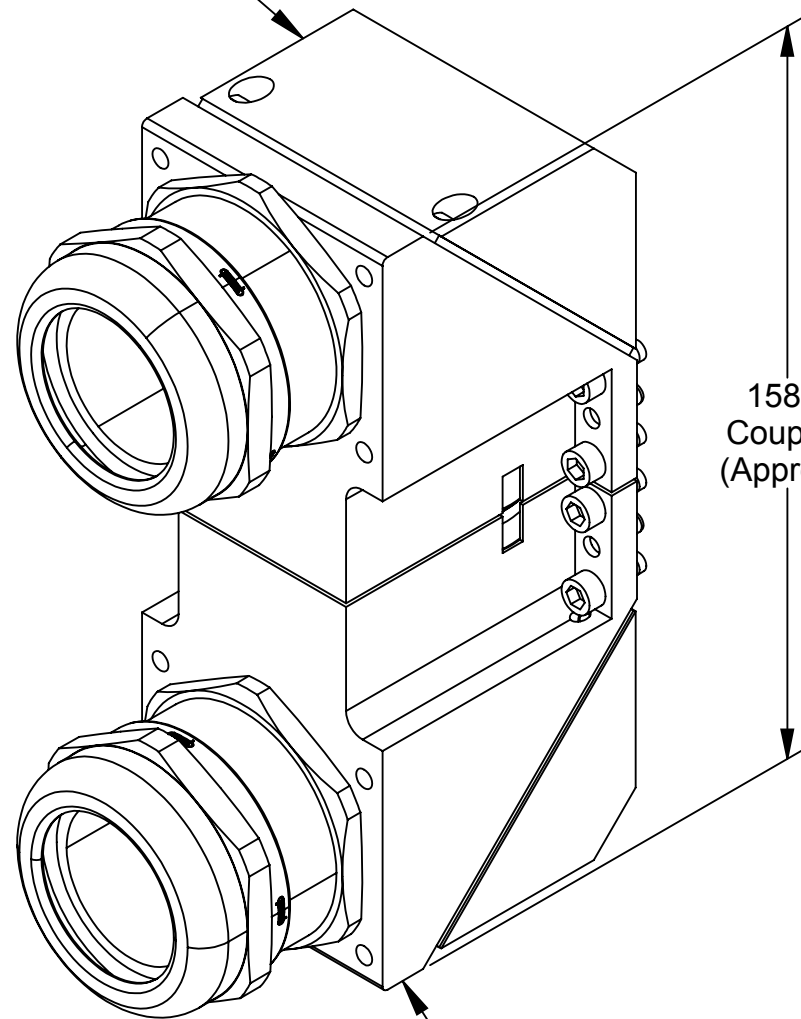
This module has a Voltage of 50V or greater, NO contact should be attempted before removing power. This especially includes separation or insertion of the mating connectors or any contact with the tool changer or its components.

REV.	DESCRIPTION	INITIATOR	DATE
03	Eco 19150; Sheets 3 and 4 changed torque for item 5 from 20 in-lb to 12 in-lb	DS	6/12/2020

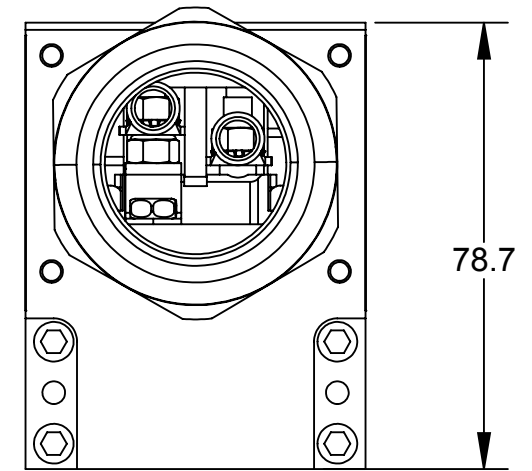
**9120-MTC6A-M**



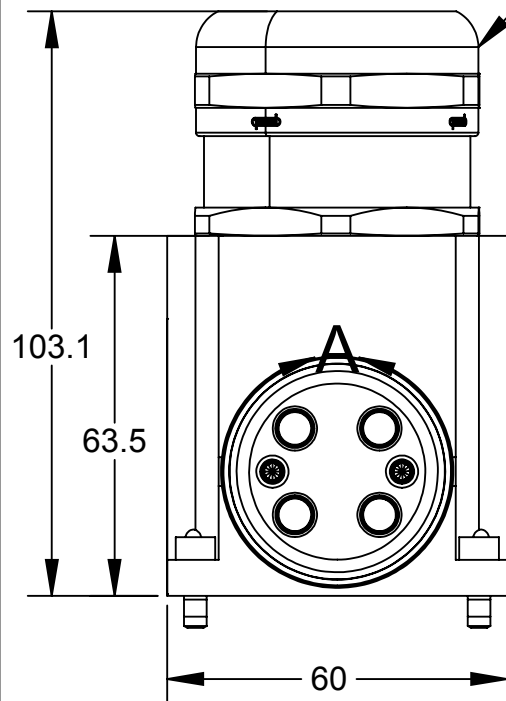
9120-MTC6A-M



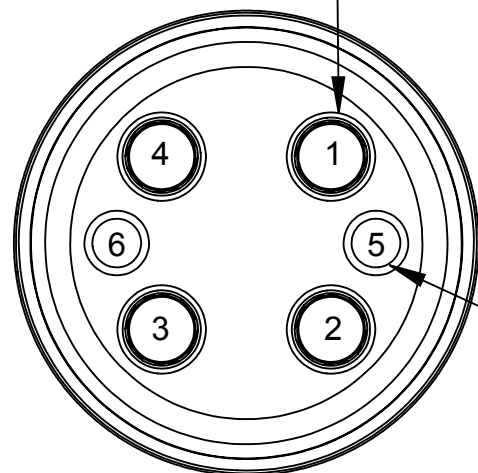
**9120-MTC6A-T**



Sealcon CD40MA-BR Cord Grip  
Nickel Plated Brass  
22mm-32mm cable diameter



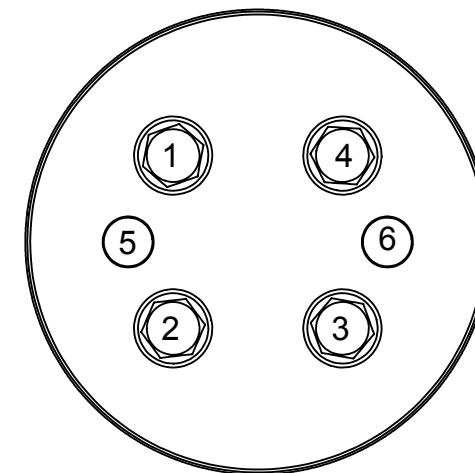
Power Contacts



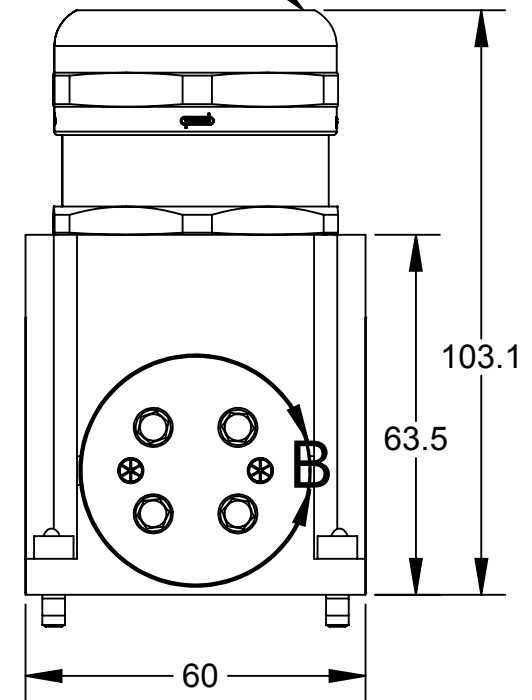
Signal Contacts

DETAIL A  
SCALE 6 : 4

Sealcon CD40MA-BR Cord Grip  
Nickel Plated Brass  
22mm-32mm cable diameter



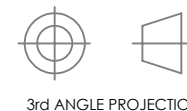
DETAIL B  
SCALE 6 : 4



- Notes:
1. See Sheet 2 for Connection Diagram.
  2. See Sheets 3 and 4 for a Serviceable Part Reference.
  3. Power contacts rated to 600VDC/100A when coupled to a QC40 or larger. Signal contacts rated to 250VDC/30A. Maximum ambient temperature of 100°F (38°C). Ampacity is rated at largest wire size.
  4. The electrical modules are not a switch and MUST NOT be used as a switch.
  5. Do not couple or uncouple the modules unless power has been disconnected and discharged both upstream and downstream. Failure to do so can result in severe module damage or personal injury.
  6. The installation of over-current protection is recommended.
  7. Module is assembled with an internal PE connection between the housing and pin 1 of the pin block. PE connection can be removed by the end user if desired.
  8. Module is provided with power ring terminals for 6 AWG/16mm<sup>2</sup> and 8 AWG/10mm<sup>2</sup> wire. Larger wire sizes are not supported.
  9. Module is provided with signal ring terminals for 16-14AWG/1.5-2.5mm<sup>2</sup> wire.

NOTES: UNLESS OTHERWISE SPECIFIED.

DO NOT SCALE DRAWING. ALL DIMENSIONS ARE IN MILLIMETERS.

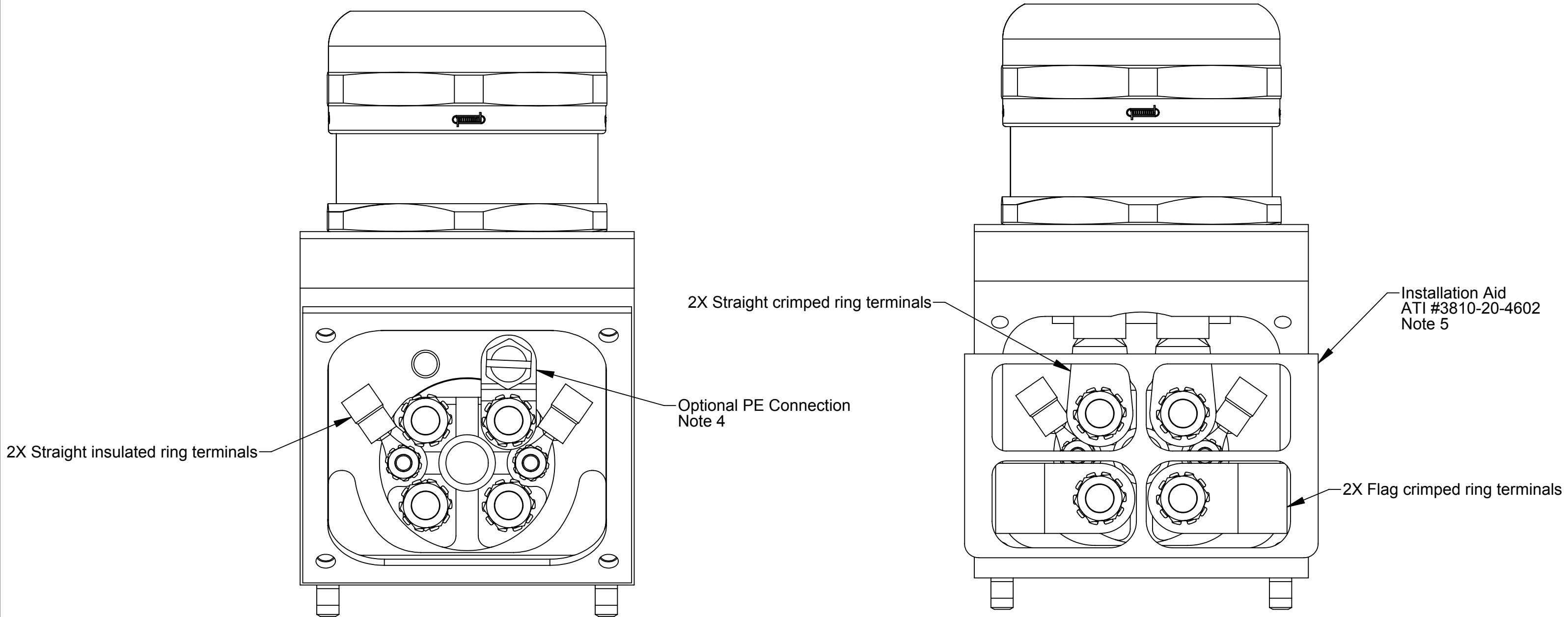


1031 Goodworth Drive, Apex, NC 27539, USA  
Tel: +1.919.772.0115 Email: info@ati-ia.com  
Fax: +1.919.772.8259 www.ati-ia.com  
ISO 9001 Registered Company

PROPERTY OF ATI INDUSTRIAL AUTOMATION, INC. NOT TO BE REPRODUCED IN ANY MANNER EXCEPT ON ORDER OR WITH PRIOR WRITTEN AUTHORIZATION OF ATI.

DRAWN BY: D. Simons, 3/6/18		TITLE	
CHECKED BY: W. Berrocal, 7/30/18 K. Davis, 8/2/18		MTC6A Master and Tool Customer Drawing	
PROJECT # 180221-1	SHEET 1 OF 4	SCALE 3:4	SIZE B
DRAWING NUMBER 9630-20-MTC6A		REVISION 03	

## Connection Layout

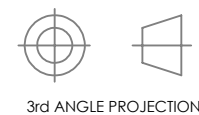


**Notes:**

1. Consult 9640-20-1097 included with modules for detailed cable preparation and connection instructions. Do not attempt to assemble without this reference.
2. Not all ring terminal crimp tools are able to fasten both straight and flag configurations. Verify the correct tooling and contact ATI with any questions.
3. Perform a continuity check between Master and Tool after assembly to verify wiring.
4. Protective Earth (PE) or safety ground supplied by the customer's equipment/cabling.
5. Installation Aid allows user to properly align ring terminals while torquing nuts to allow easy installation of rear cover.

NOTES: UNLESS OTHERWISE SPECIFIED.

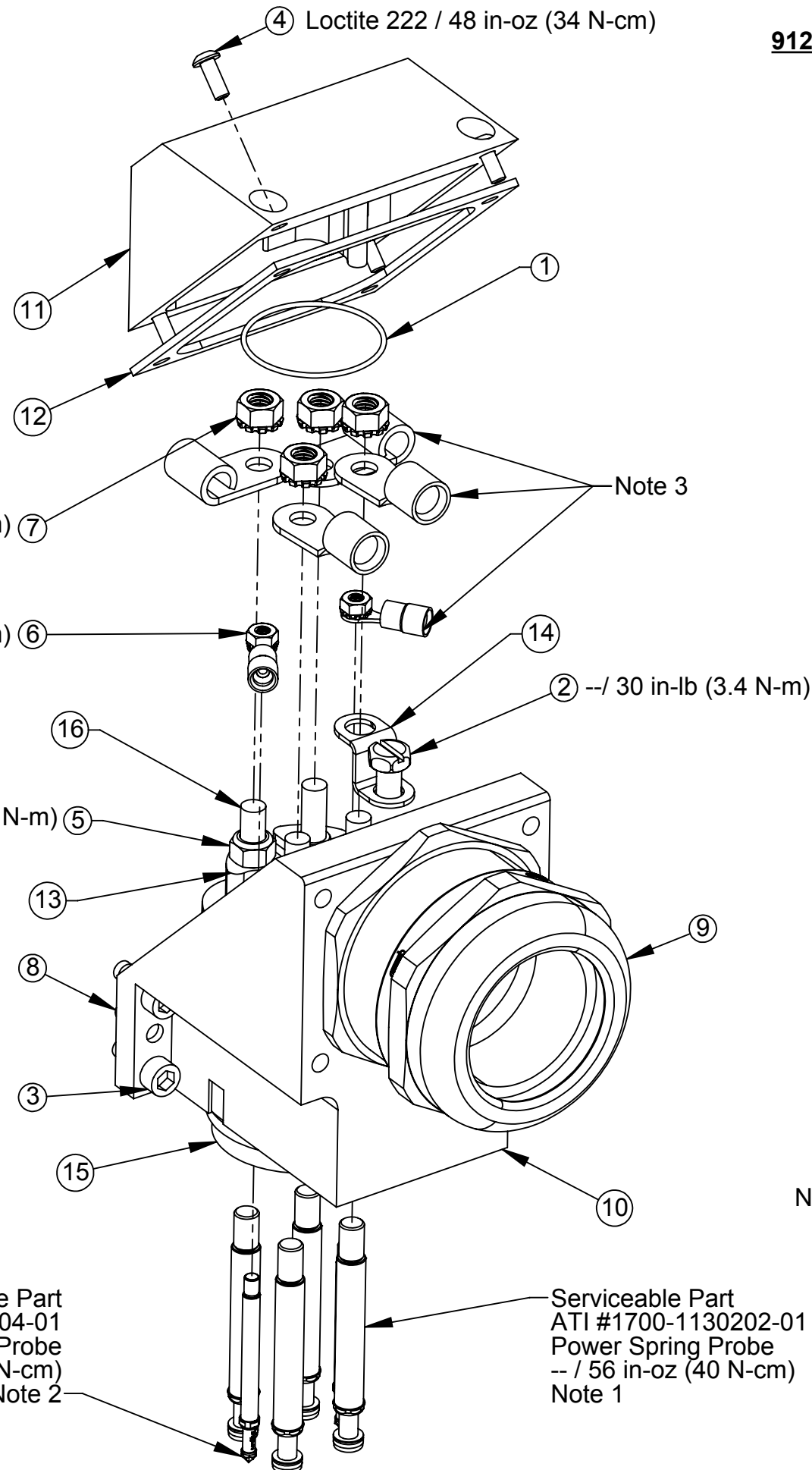
DO NOT SCALE DRAWING. ALL DIMENSIONS ARE IN MILLIMETERS.



		1031 Goodworth Drive, Apex, NC 27539, USA Tel: +1.919.772.0115 Email: info@ati-ia.com Fax: +1.919.772.8259 www.ati-ia.com ISO 9001 Registered Company	
DRAWN BY: D. Simons, 3/6/18 CHECKED BY: W. Berrocal, 7/30/18 K. Davis, 8/2/18		TITLE <b>MTC6A Master and Tool Customer Drawing</b>	
PROJECT #	180221-1	SHEET	2 OF 4
SCALE	3:4	SIZE	B
DRAWING NUMBER		REVISION	
9630-20-MTC6A		03	

PROPERTY OF ATI INDUSTRIAL AUTOMATION, INC. NOT TO BE REPRODUCED IN ANY MANNER EXCEPT ON ORDER OR WITH PRIOR WRITTEN AUTHORIZATION OF ATI.

**9120-MTC6A-M Serviceable Parts**



**Notes:**

1. Installation Tool 3810-20-4237 required for replacement.
2. Installation Tool 3810-20-4238 required for replacement.
3. Included ring terminal kit 9005-20-8740 contains qty. 4 of both 6 AWG/16mm<sup>2</sup> and 8 AWG/10mm<sup>2</sup> connections with additional signal crimps.
4. To ensure proper electrical continuity, do not apply Loctite to threaded connections unless specified.
5. Installation aid 3810-20-4602 is recommended to ease cable installation into module.

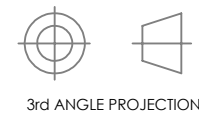
ITEM NO.	QTY	PART NUMBER	DESCRIPTION
1	1	3410-0001484-01	O-Ring, 27mm ID x 1mm W, Buna-N, D70A
2	1	3500-0864008-49	M5x8mm Hex Head Grounding Screw, Green top, Brass
3	4	3500-1062012-15A	M4-0.7 x 12mm SHCS, Blue, Pre-Applied
4	4	3500-1158008-21	M3 x 8mm SBHCS, SS
5	2	3505-0864005-16	M5 Hex Nut, Zinc plated steel, Nylon locking
6	2	3505-9957000-21	Nut, M3, Stainless Steel, W/ External Tooth Lock Washer
7	4	3505-9963000-21	Nut, M5, Stainless Steel, W/ External Tooth Lock Washer
8	2	3540-0104010-21	M4 X 10 Dowel Pin SS
9	1	3620-9000000-40	M40x1.5 Liquid tight cord grip, nickel plated brass, 22-32mm cable dia.
10	1	3700-20-10365	Housing, MTC6 Master, top
11	1	3700-20-10366	Bottom cover, MTC6
12	1	3700-20-10372	Bottom cover gasket, MTC6
13	1	3700-20-10666	Receptacle Insulator, MTC6
14	1	3700-20-10910	Grounding Clip, MTC6
15	1	4010-0000072-01	V-RING V-30A
16	1	9005-20-8664	MTC6 Master Pin Block Assembly
17	1	9005-20-8740	Ring terminal kit, 8AWG/6AWG sizes with signal ring terminals, MTC6

Serviceable Part  
ATI #1700-1130204-01  
Signal Spring Probe  
-- / 28 in-oz (20 N-cm)  
Note 2

Serviceable Part  
ATI #1700-1130202-01  
Power Spring Probe  
-- / 56 in-oz (40 N-cm)  
Note 1

NOTES: UNLESS OTHERWISE SPECIFIED.

DO NOT SCALE DRAWING. ALL DIMENSIONS ARE IN MILLIMETERS.

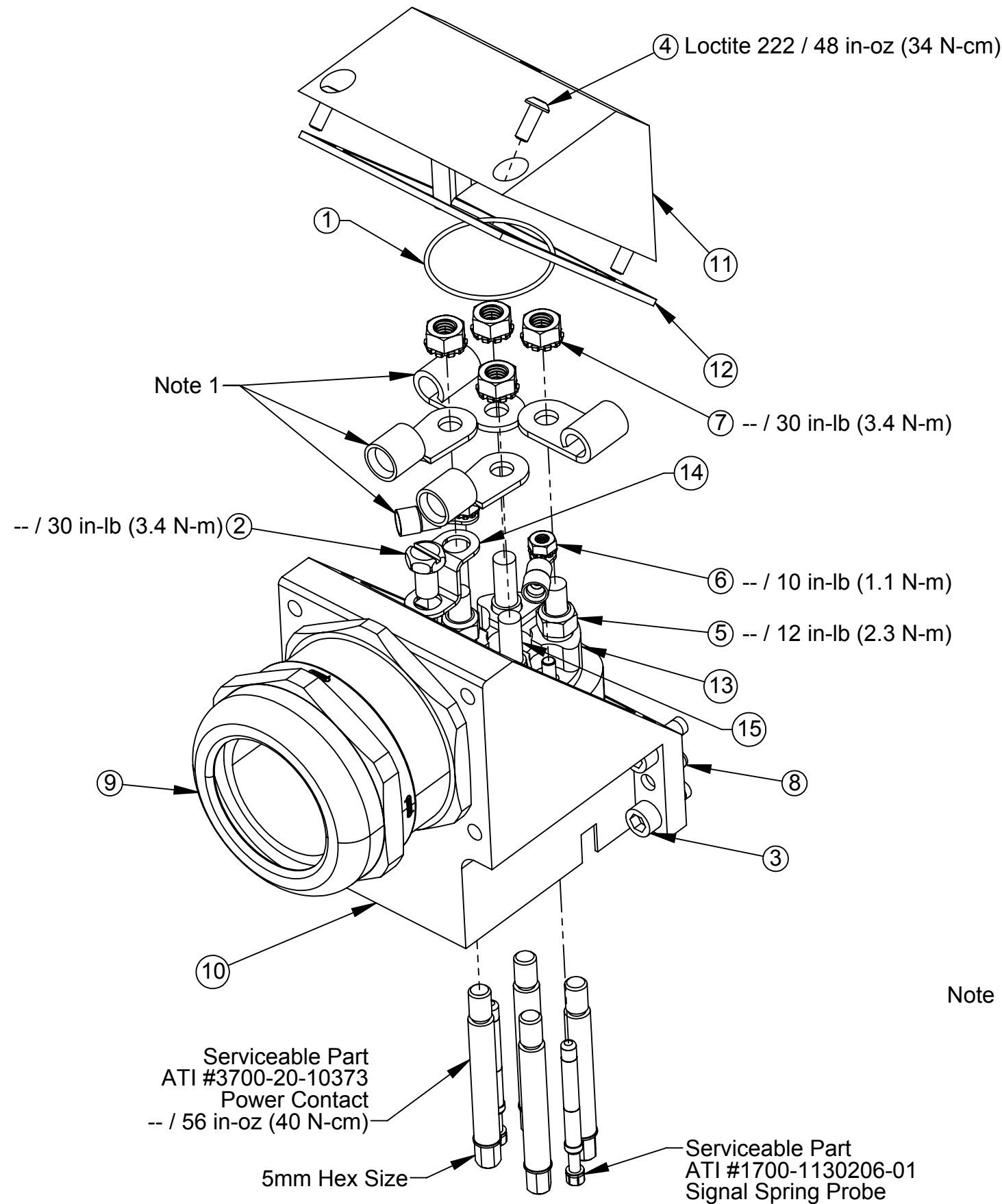


1031 Goodworth Drive, Apex, NC 27539, USA  
Tel: +1.919.772.0115 Email: info@ati-ia.com  
Fax: +1.919.772.8259 www.ati-ia.com  
ISO 9001 Registered Company

PROPERTY OF ATI INDUSTRIAL AUTOMATION, INC. NOT TO BE REPRODUCED IN ANY MANNER EXCEPT ON ORDER OR WITH PRIOR WRITTEN AUTHORIZATION OF ATI.

DRAWN BY: D. Simons, 3/6/18		TITLE	
CHECKED BY: W. Berrocal, 7/30/18 K. Davis, 8/2/18		MTC6A Master and Tool Customer Drawing	
PROJECT # 180221-1	SHEET 3 OF 4	SCALE 7:8	SIZE B
DRAWING NUMBER 9630-20-MTC6A		REVISION 03	

**9120-MTC6A-T Serviceable Parts**



Notes:

1. Included ring terminal kit 9005-20-8740 contains qty. 4 of both 6 AWG/16mm<sup>2</sup> and 8 AWG/10mm<sup>2</sup> connections with additional signal crimps.
2. To ensure proper electrical continuity, do not apply Loctite to threaded connections unless specified.
3. Installation aid 3810-20-4602 is recommended to ease cable installation into module.

ITEM NO.	QTY	PART NUMBER	DESCRIPTION
1	1	3410-0001484-01	O-Ring, 27mm ID x 1mm W, Buna-N, D70A
2	1	3500-0864008-49	M5x8mm Hex Head Grounding Screw, Green top, Brass
3	4	3500-1062012-15A	M4-0.7 x 12mm SHCS, Blue, Pre-Applied
4	4	3500-1158008-21	M3 x 8mm SBHCS, SS
5	2	3505-0864005-16	M5 Hex Nut, Zinc plated steel, Nylon locking
6	2	3505-9957000-21	Nut, M3, Stainless Steel, W/ External Tooth Lock Washer
7	4	3505-9963000-21	Nut, M5, Stainless Steel, W/ External Tooth Lock Washer
8	2	3540-0104010-21	M4 X 10 Dowel Pin SS
9	1	3620-9000000-40	M40x1.5 Liquid tight cord grip, nickel plated brass, 22-32mm cable dia.
10	1	3700-20-10365	Housing, MTC6 Master, top
11	1	3700-20-10366	Bottom cover, MTC6
12	1	3700-20-10372	Bottom cover gasket, MTC6
13	1	3700-20-10666	Receptacle Insulator, MTC6
14	1	3700-20-10910	Grounding Clip, MTC6
15	1	9005-20-8665	MTC6 Tool Pin Block Assembly
16	1	9005-20-8740	Ring terminal kit, 8AWG/6AWG sizes with signal ring terminals, MTC6

Note 1

NOTES: UNLESS OTHERWISE SPECIFIED.

DO NOT SCALE DRAWING. ALL DIMENSIONS ARE IN MILLIMETERS.



3rd ANGLE PROJECTION



1031 Goodworth Drive, Apex, NC 27539, USA  
Tel: +1.919.772.0115 Email: info@ati-ia.com  
Fax: +1.919.772.8259 www.ati-ia.com  
ISO 9001 Registered Company

PROPERTY OF ATI INDUSTRIAL AUTOMATION, INC. NOT TO BE REPRODUCED IN ANY MANNER EXCEPT ON ORDER OR WITH PRIOR WRITTEN AUTHORIZATION OF ATI.

DRAWN BY: D. Simons, 3/6/18		TITLE	
CHECKED BY: W. Berrocal, 7/30/18 K. Davis, 8/2/18		MTC6A Master and Tool Customer Drawing	
PROJECT #	180221-1	SHEET	4 OF 4
SCALE	7:8	SIZE	B
DRAWING NUMBER	9630-20-MTC6A		REVISION
			03