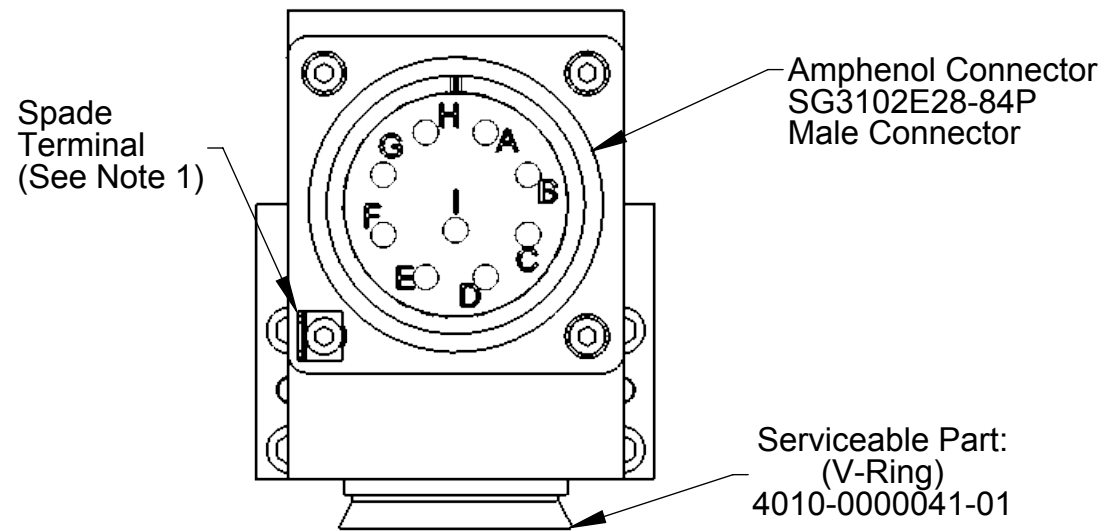
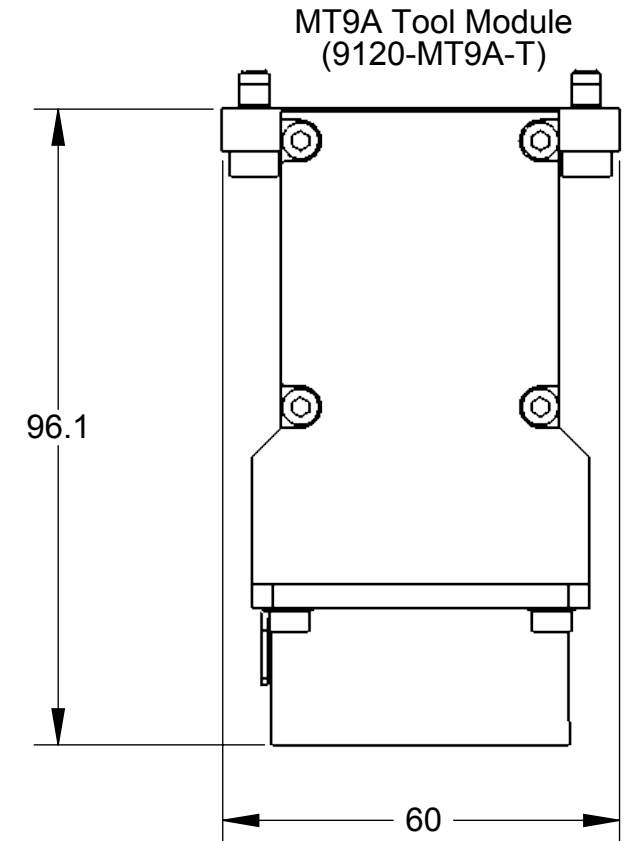
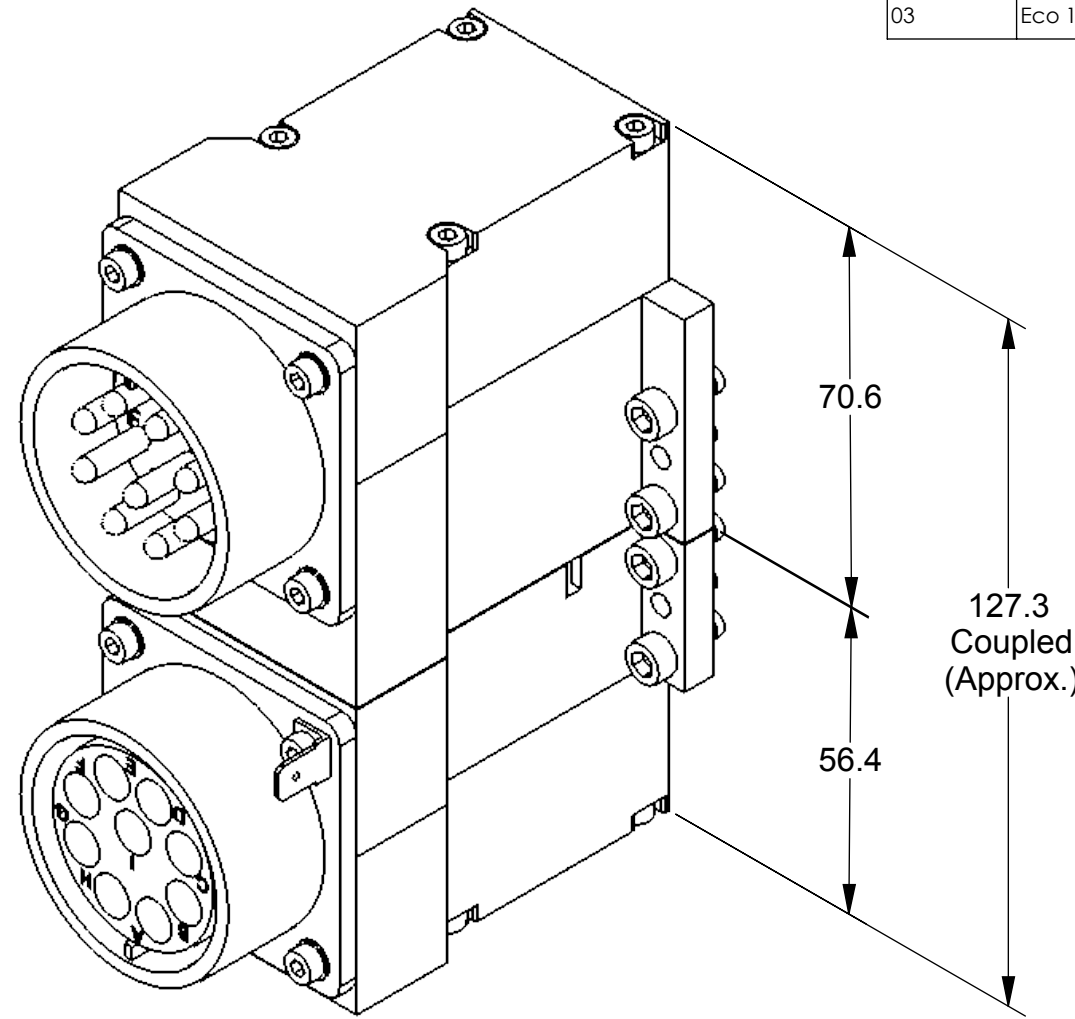
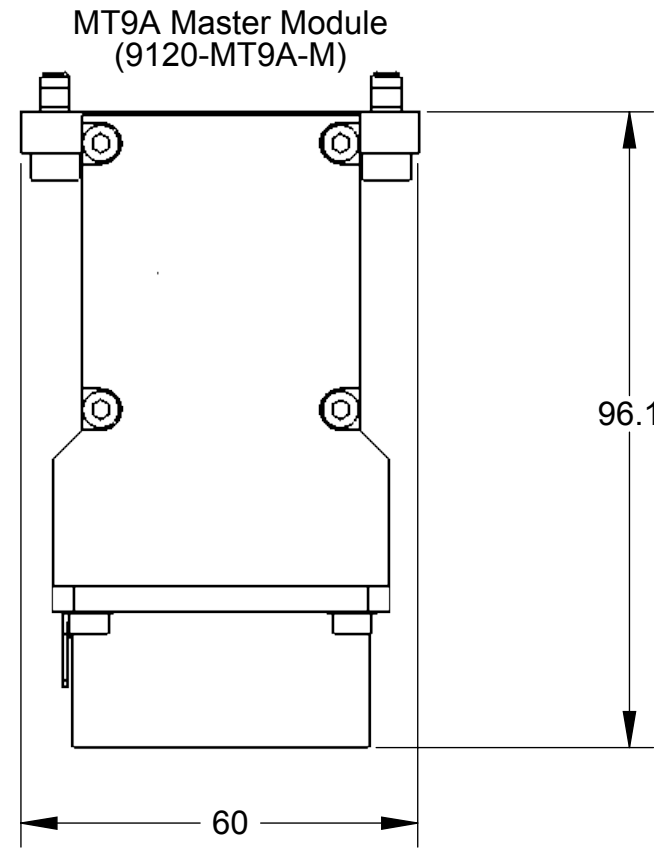
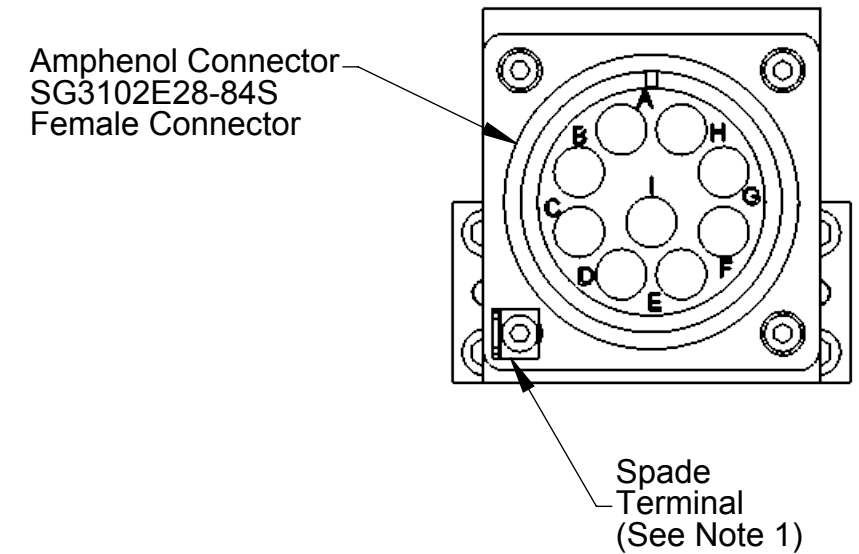


Rev.	Description	Initiator	Date
03	Eco 18829; Note 2, changed "QC-100" to "QC-40".	LJH	3/16/2020



MT9 Pin Out	
MT9A Master SG3102E28-84P Male Connector	MT9A Tool SG3102E28-84S Female Connector
A	A
B	B
C	C
D	D
E	E
F	F
G	G
H	H
I	I



- Notes:
- Spade terminal connection is First-to-mate Last-to-break at the Tool Changer interface. Spade terminals provided for passing PE from master module to tool module.
 - Modules should be mounted to a tool changer, QC-40 or larger, to handle maximum rated current and 100% duty cycle without overheating. Allowable maximum ambient temperature under these conditions is 100 F.
 - DANGER!** - For electrical modules using > 60 VDC or 42 VAC, NO contact should be attempted before removing power. This especially includes separation or insertion of the mating connectors or any contact with the tool changer or its' components.

NOTES: UNLESS OTHERWISE SPECIFIED.

DO NOT SCALE DRAWING. ALL DIMENSIONS ARE IN MILLIMETERS.



3rd ANGLE PROJECTION



1031 Goodworth Drive, Apex, NC 27539, USA
 Tel: +1.919.772.0115 Email: info@ati-ia.com
 Fax: +1.919.772.8259 www.ati-ia.com
 ISO 9001 Registered Company

PROPERTY OF ATI INDUSTRIAL AUTOMATION, INC. NOT TO BE REPRODUCED IN ANY MANNER EXCEPT ON ORDER OR WITH PRIOR WRITTEN AUTHORIZATION OF ATI.

DRAWN BY: A Pongor 9/6/12		TITLE	
CHECKED BY: P Luczka 9/14//12		MT9A Module Drawing	
PROJECT # 120828-6 SHEET 1 OF 1		SCALE	REVISION
		7:8	03
SIZE	DRAWING NUMBER		
B	9630-20-MT9A		