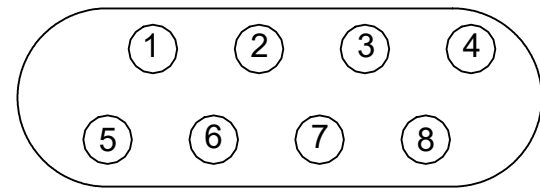
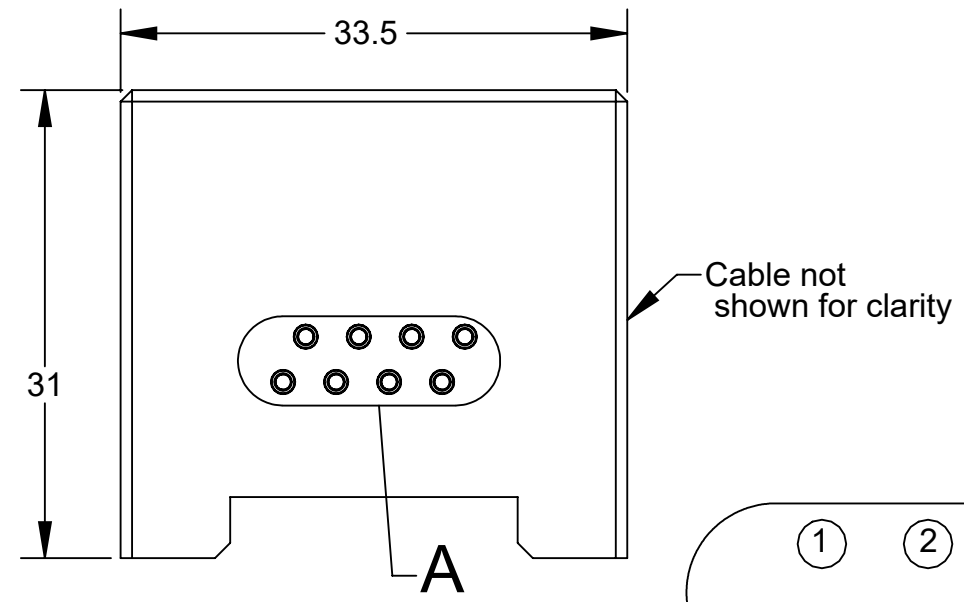
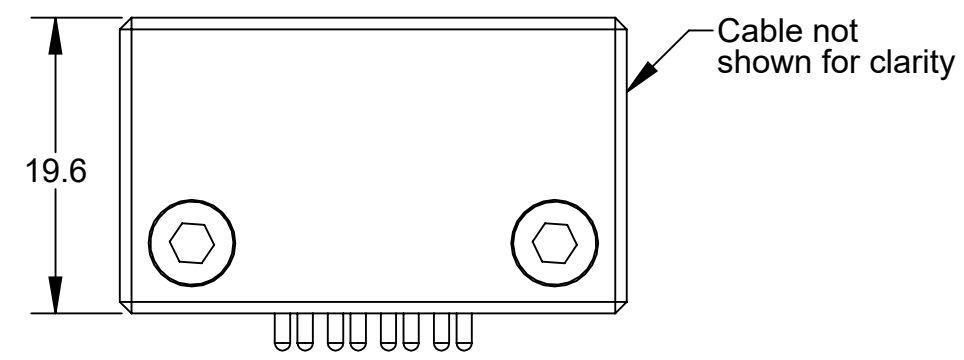
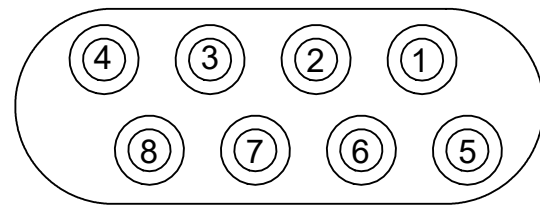
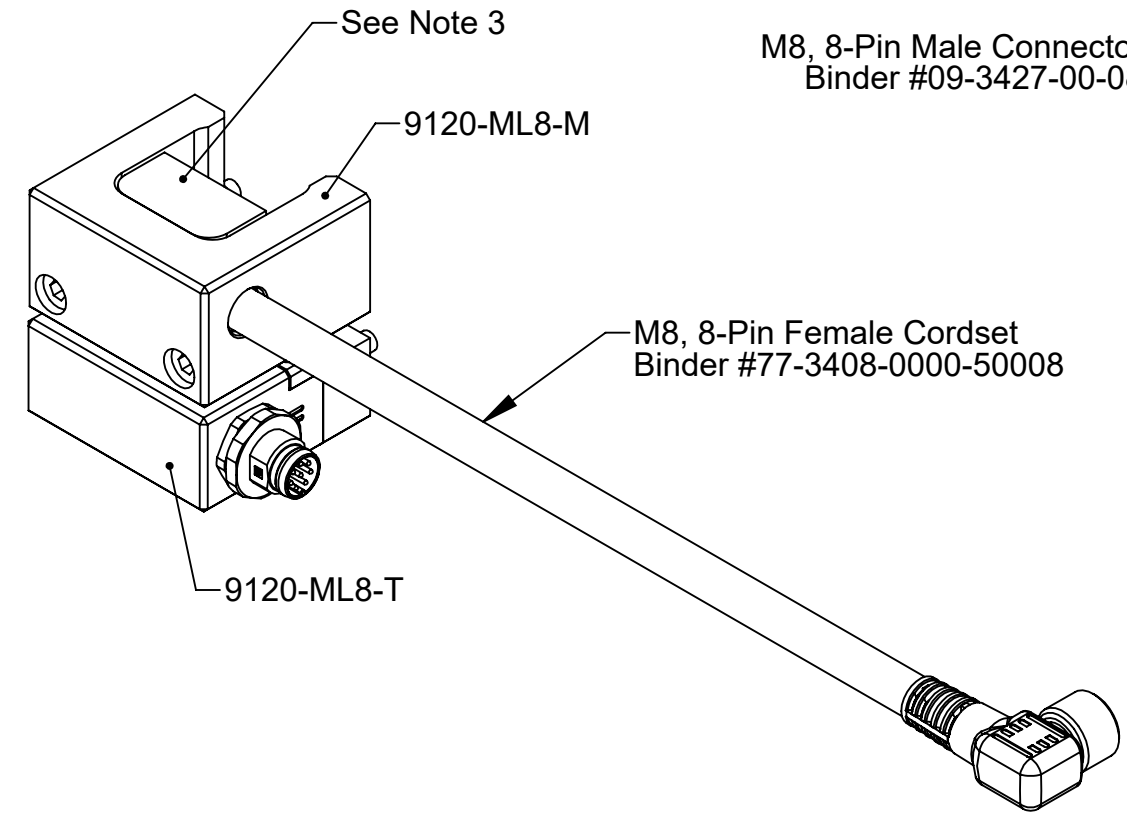


REV.	DESCRIPTION	INITIATOR	DATE
09	ECO 19719; Sht 2 cable length 254mm was 330mm	EPR	4/29/2021

**9120-ML8-M
Master Module**

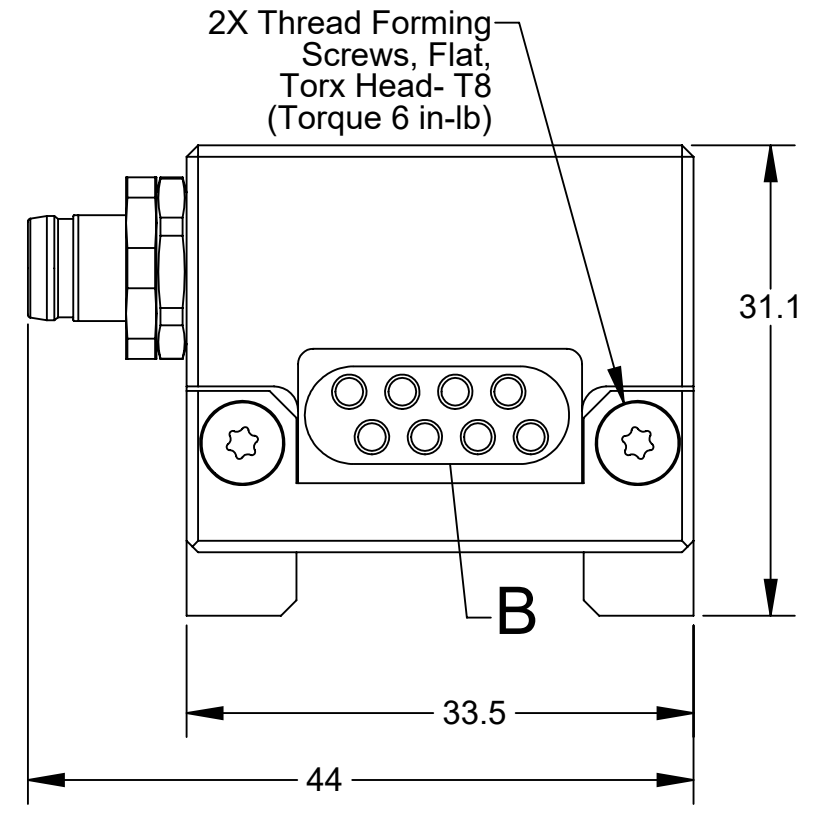
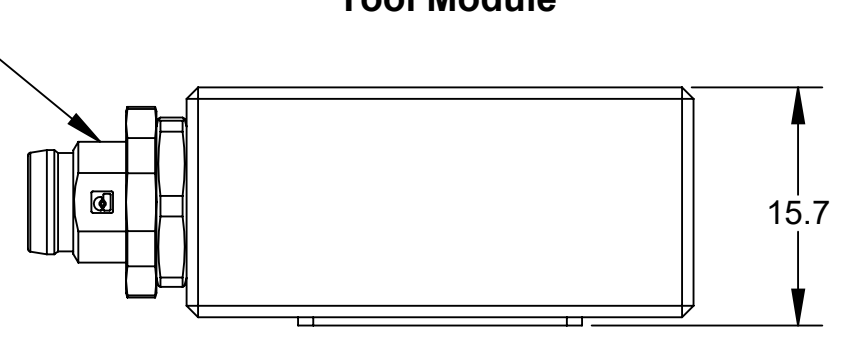


DETAIL A
SCALE 4 : 1



DETAIL B
SCALE 4 : 1

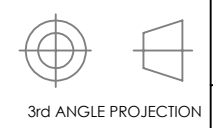
**9120-ML8-T
Tool Module**



- Notes:
1. See Sheet 3 for detailed ML8 Module Electrical Schematic and Electrical Rating.
 2. Cable not shown to scale.
 3. Both modules are potted with 3M DP270 potting material.

NOTES: UNLESS OTHERWISE SPECIFIED.

DO NOT SCALE DRAWING. ALL DIMENSIONS ARE IN MILLIMETERS.

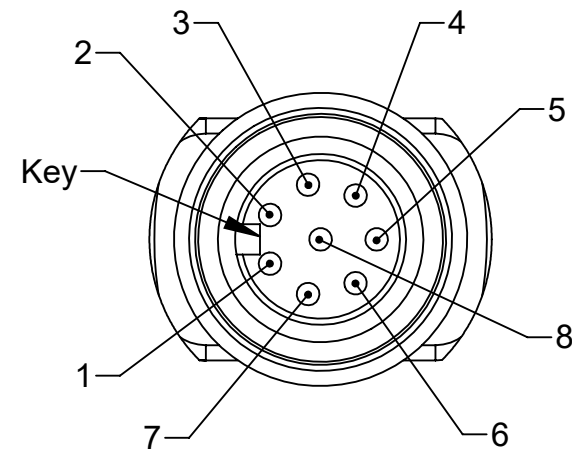
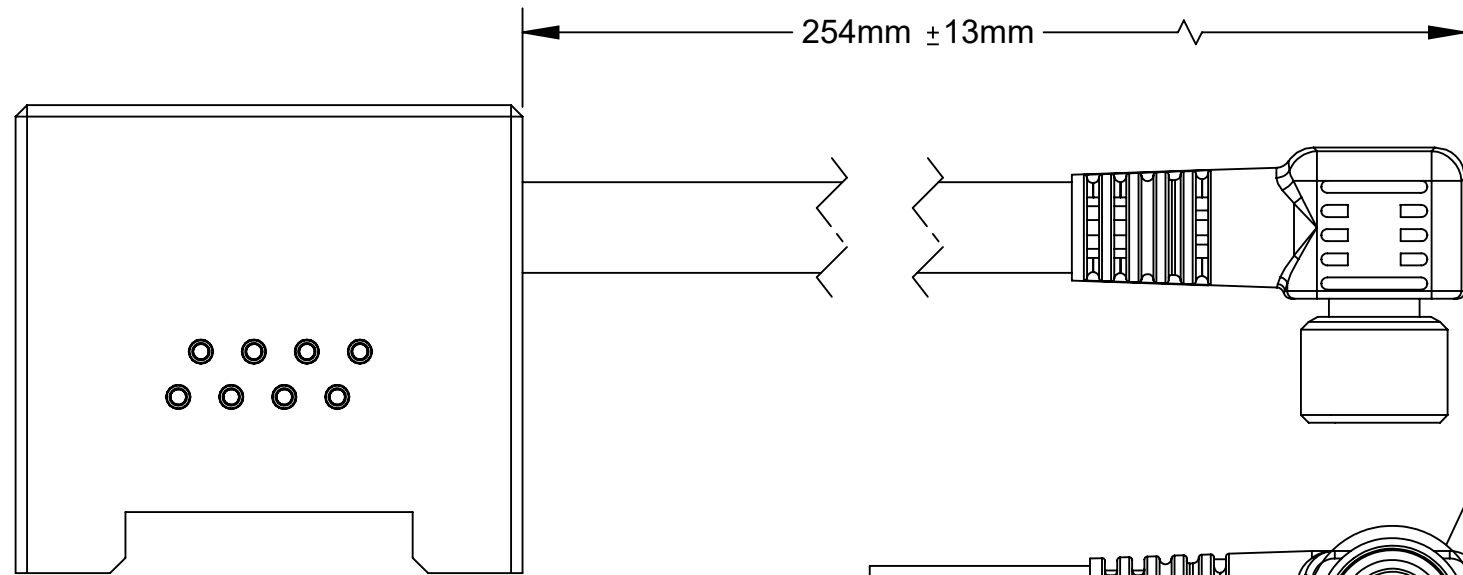


1031 Goodworth Drive, Apex, NC 27539, USA
 Tel: +1.919.772.0115 www.ati-ia.com
 Fax: +1.919.772.8259 ISO 9001 Registered Company

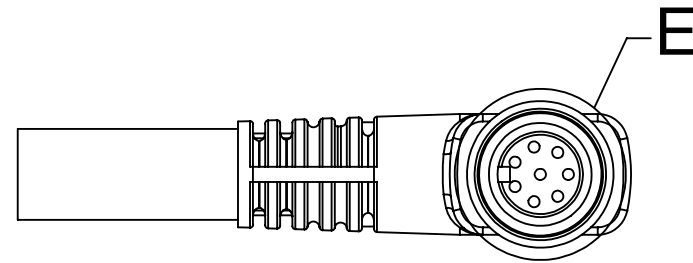
PROPERTY OF ATI INDUSTRIAL AUTOMATION, INC. NOT TO BE REPRODUCED IN ANY MANNER EXCEPT ON ORDER OR WITH PRIOR WRITTEN AUTHORIZATION OF ATI.

DRAWN BY: B. Smith, 6/10/19		TITLE		
CHECKED BY: W.Berrocal, 12/2/2019		ML8 Potted Module Customer Drawing		
PROJECT # 180926-1	SHEET 1 OF 4	SCALE 2:1	SIZE B	DRAWING NUMBER 9630-20-ML8
				REVISION 09

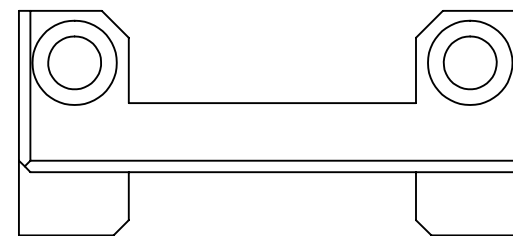
**9120-ML8-M
Master Module**



DETAIL E
Master 8-Pin
Female Connector
SCALE 4 : 1

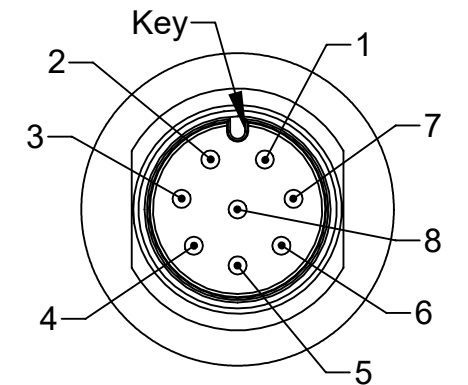
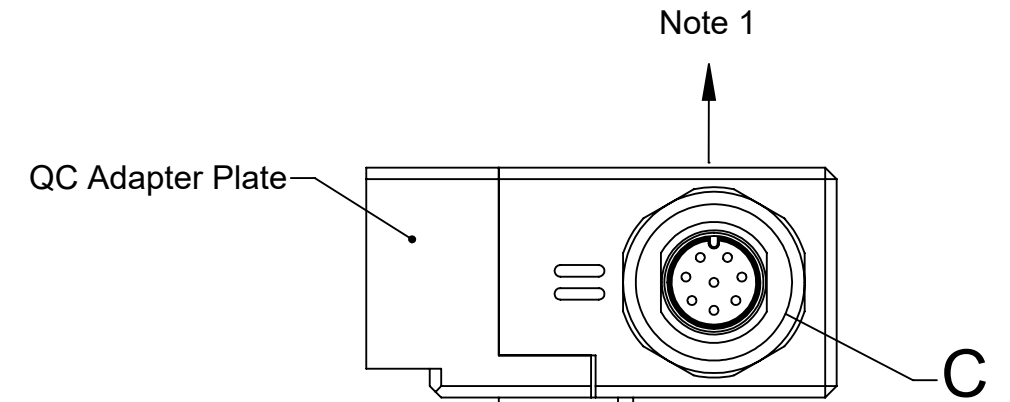


SECTION D-D



Serviceable part 3700-20-11153 Adapter Plate
common on all Tool modules.

**9120-ML8-T
Tool Module**



DETAIL C
Tool 8-Pin
Male Connector
SCALE 4 : 1

Notes:
1. Mating right angle cordset direction.

NOTES: UNLESS OTHERWISE SPECIFIED.

DO NOT SCALE DRAWING.
ALL DIMENSIONS ARE IN MILLIMETERS.



3rd ANGLE PROJECTION

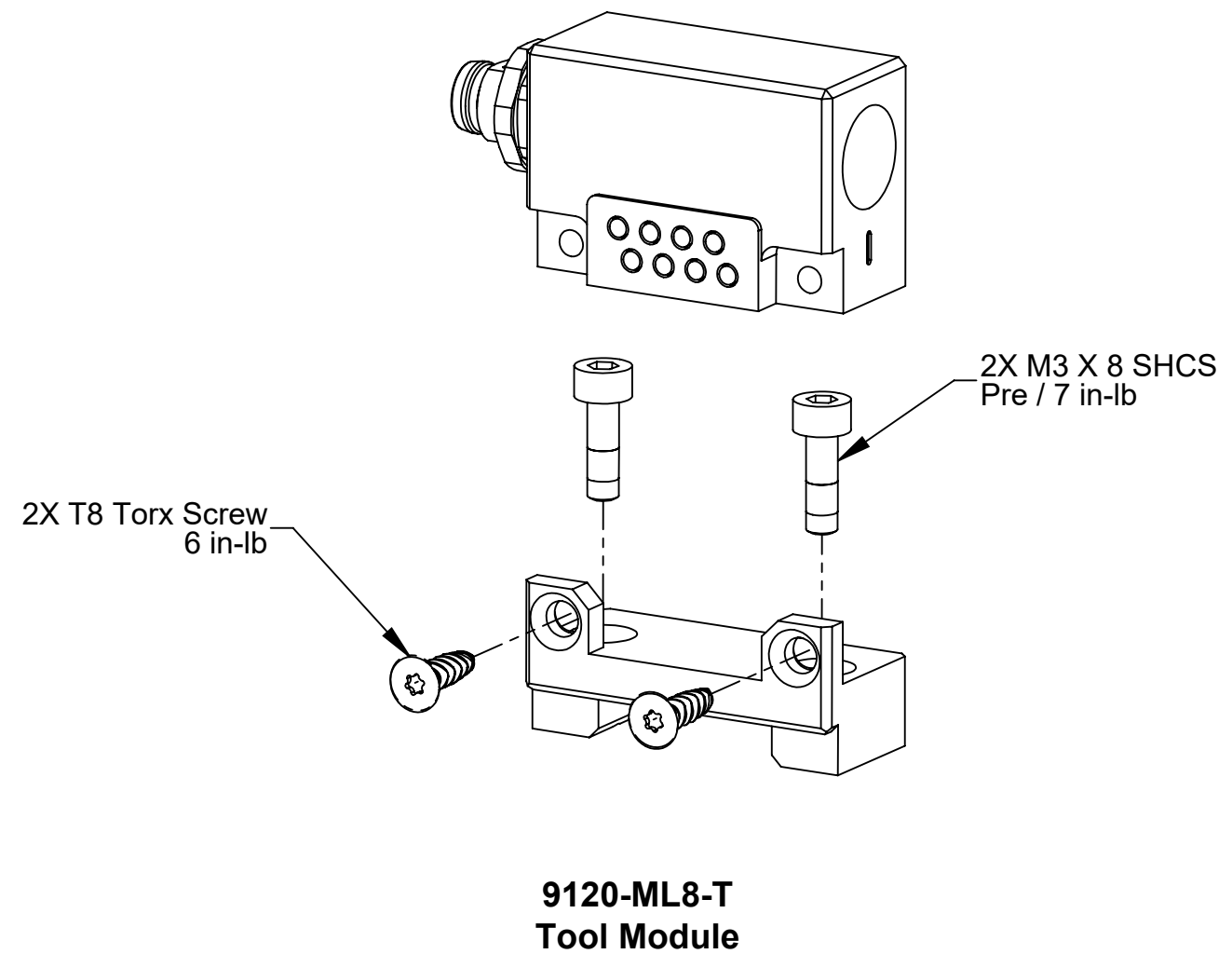
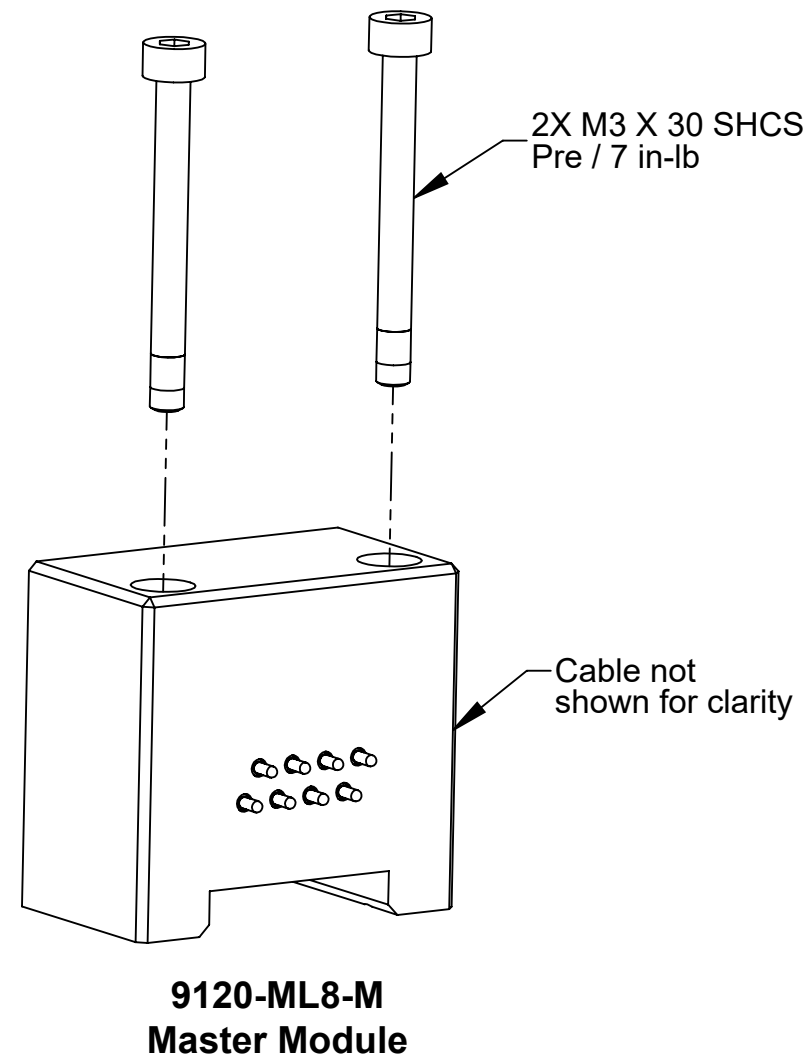


1031 Goodworth Drive, Apex, NC 27539, USA
Tel: +1.919.772.0115 www.ati-ia.com
Fax: +1.919.772.8259 ISO 9001 Registered Company

PROPERTY OF ATI INDUSTRIAL AUTOMATION, INC. NOT TO BE REPRODUCED IN ANY MANNER EXCEPT ON ORDER OR WITH PRIOR WRITTEN AUTHORIZATION OF ATI.

DRAWN BY: B. Smith, 6/10/19		TITLE		
CHECKED BY: W.Berrocal, 12/2/2019		ML8 Potted Module Customer Drawing		
PROJECT # 180926-1	SHEET 2 OF 4	SCALE	SIZE	DRAWING NUMBER
		2:1	B	9630-20-ML8
				REVISION
				09

Mounting Hardware



NOTES: UNLESS OTHERWISE SPECIFIED.

DO NOT SCALE DRAWING. ALL DIMENSIONS ARE IN MILLIMETERS.



3rd ANGLE PROJECTION



1031 Goodworth Drive, Apex, NC 27539, USA
Tel: +1.919.772.0115 www.ati-ia.com
Fax: +1.919.772.8259 ISO 9001 Registered Company

PROPERTY OF ATI INDUSTRIAL AUTOMATION, INC. NOT TO BE REPRODUCED IN ANY MANNER EXCEPT ON ORDER OR WITH PRIOR WRITTEN AUTHORIZATION OF ATI.

DRAWN BY: B. Smith, 6/10/19

CHECKED BY: W.Berrocal, 12/2/2019

PROJECT # 180926-1 SHEET 3 OF 4

TITLE

ML8 Potted Module Customer Drawing

SCALE
3:2

SIZE
B

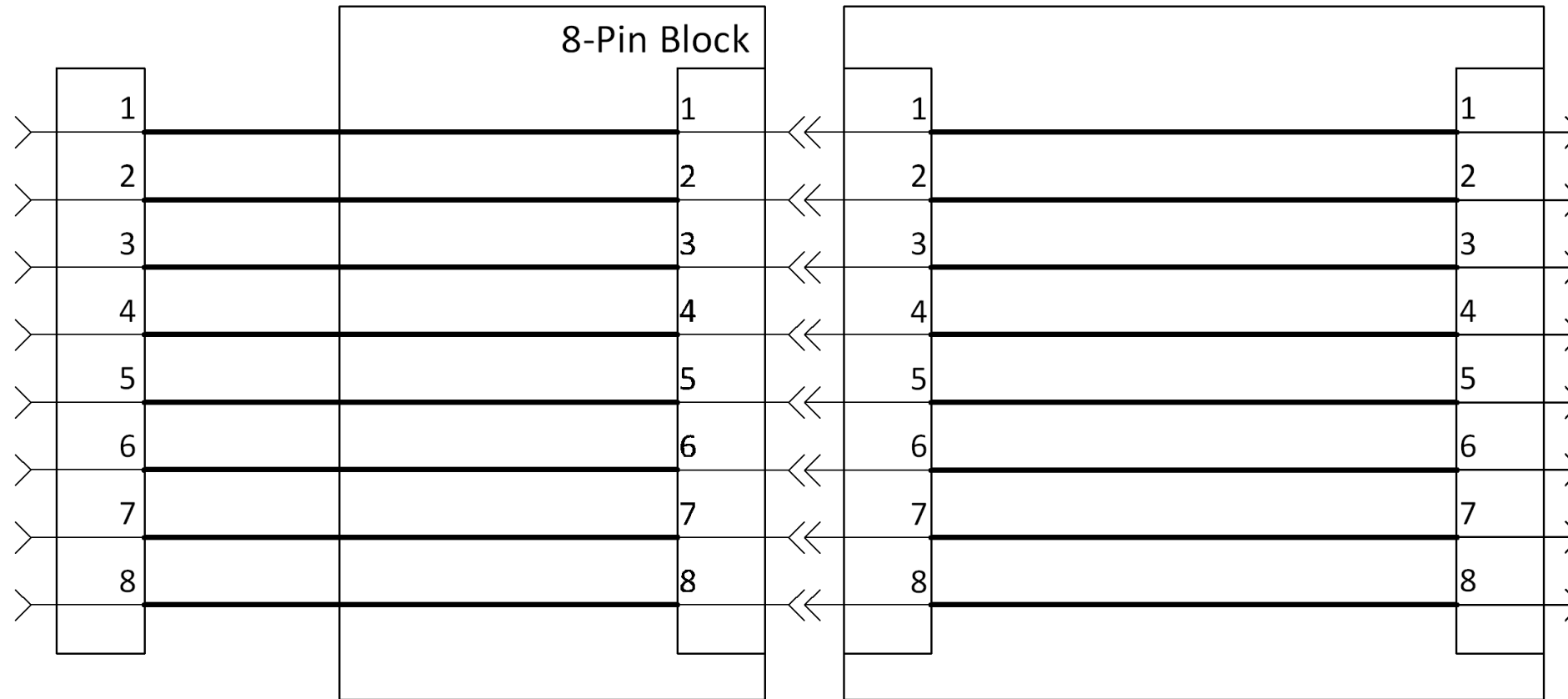
DRAWING NUMBER
9630-20-ML8

REVISION
09

9120-ML8-M

9120-ML8-T

M8, 8-Pin
Female
Connector



M8, 8-Pin Male
Connector

Notes:
1. Electrical Rating: 1A / 30VDC

NOTES: UNLESS OTHERWISE SPECIFIED.

DO NOT SCALE DRAWING.
ALL DIMENSIONS ARE IN
MILLIMETERS.



3rd ANGLE PROJECTION



1031 Goodworth Drive, Apex, NC 27539, USA
Tel: +1.919.772.0115 Email: info@ati-ia.com
Fax: +1.919.772.8259 www.ati-ia.com
ISO 9001 Registered Company

PROPERTY OF ATI INDUSTRIAL AUTOMATION, INC. NOT TO BE REPRODUCED IN ANY MANNER EXCEPT ON ORDER OR WITH PRIOR WRITTEN AUTHORIZATION OF ATI.

DRAWN BY: B. Smith, 6/10/19

CHECKED BY: W.Berrocal, 12/2/2019

TITLE

ML8 Potted Module Customer Drawing

PROJECT # 180926-1 SHEET 4 OF 4

SCALE
2:1

SIZE
B

DRAWING NUMBER
9630-20-ML8

REVISION
09