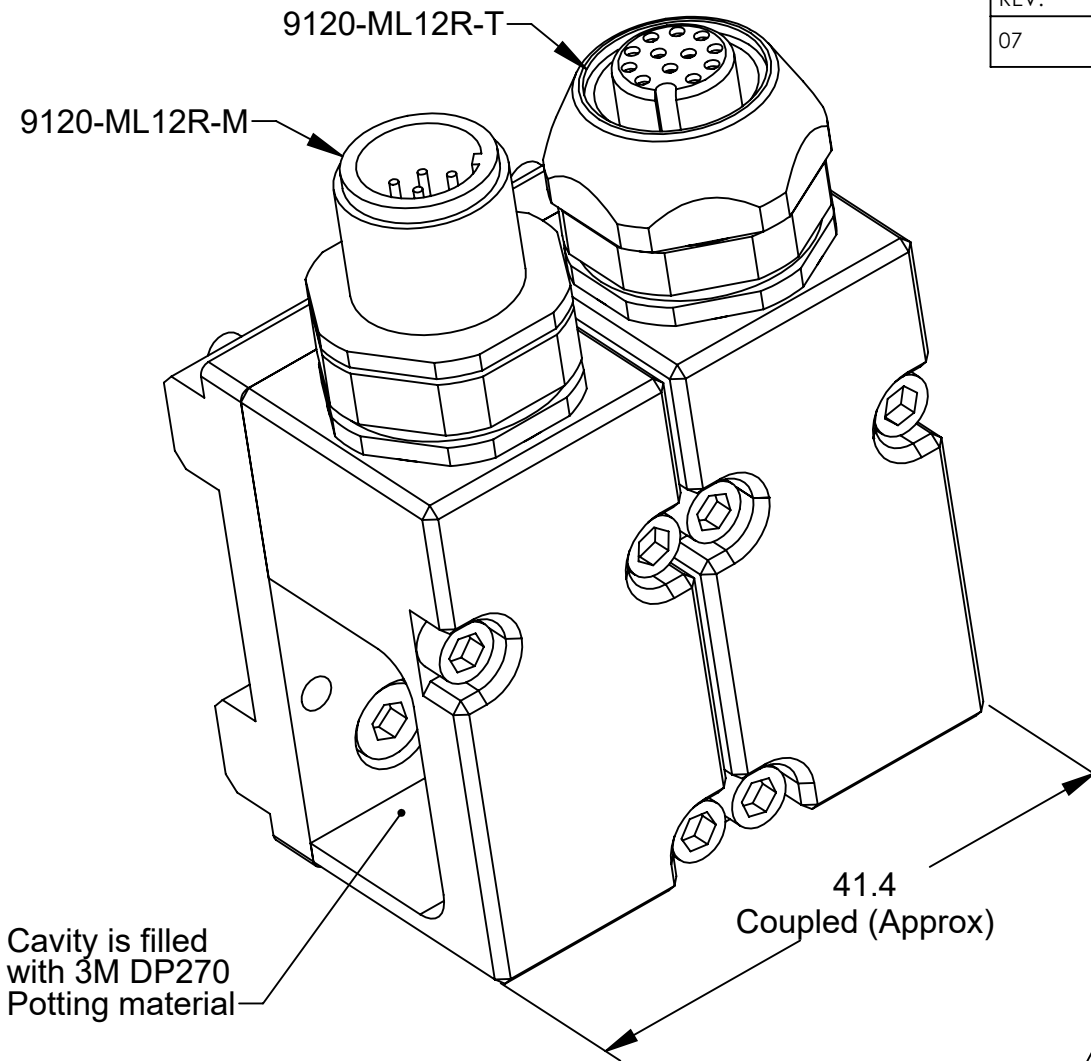
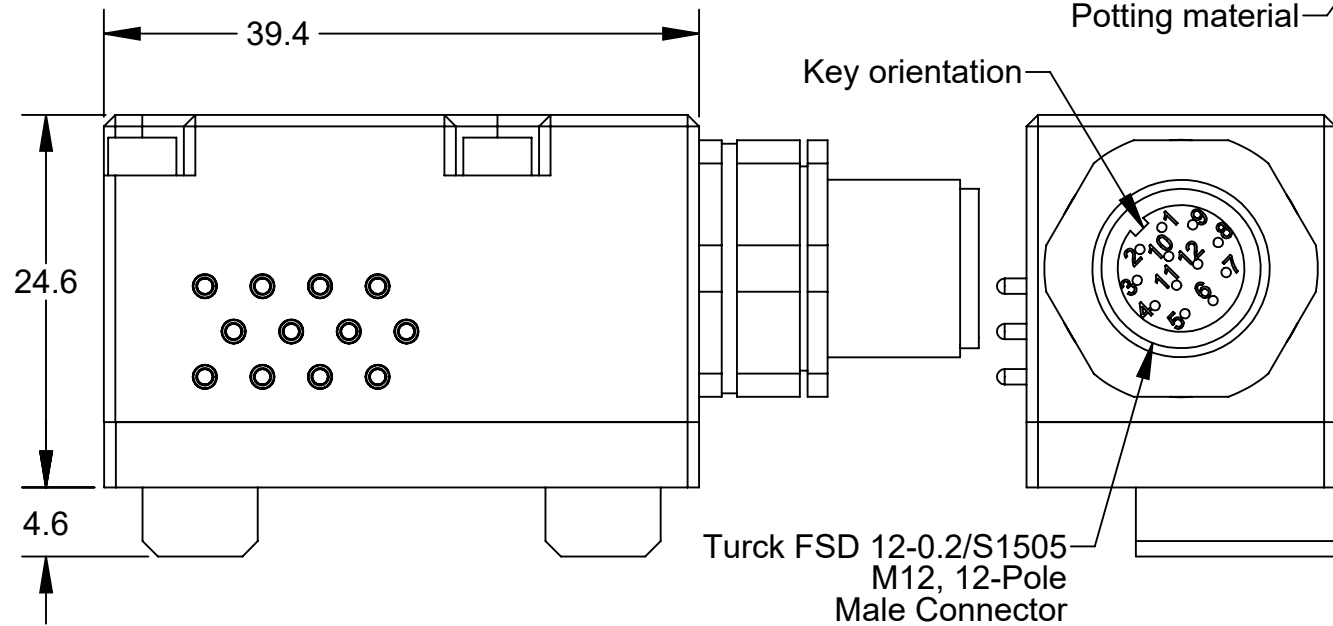
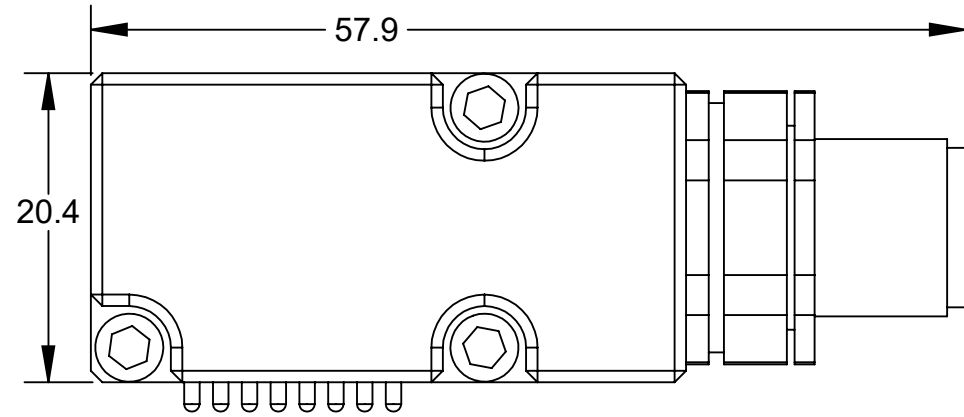
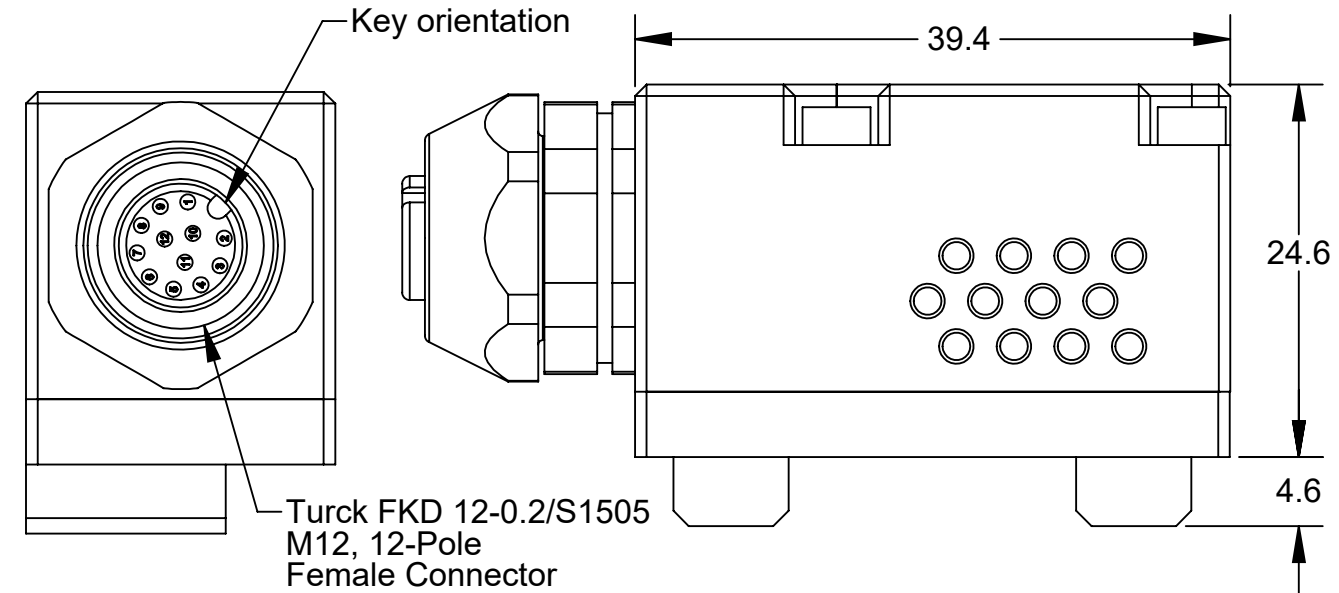
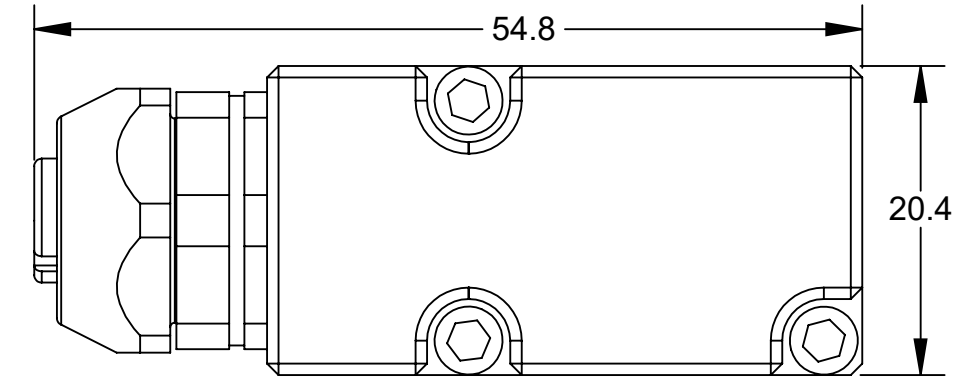


REV.	DESCRIPTION	INITIATOR	DATE
07	Eco 20563; Corrected placement of Coupled Dimension.	CF	1/18/2022

9120-ML12R-M Master Module



9120-ML12R-T Tool Module

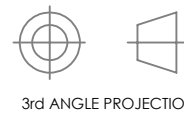


Notes:

1. Connector Rating: 1.0A / 50VDC.
2. See Sheet 2 for Customer Interface information.
3. See Sheet 3 for module wiring schematic.

NOTES: UNLESS OTHERWISE SPECIFIED.

DO NOT SCALE DRAWING. ALL DIMENSIONS ARE IN MILLIMETERS.



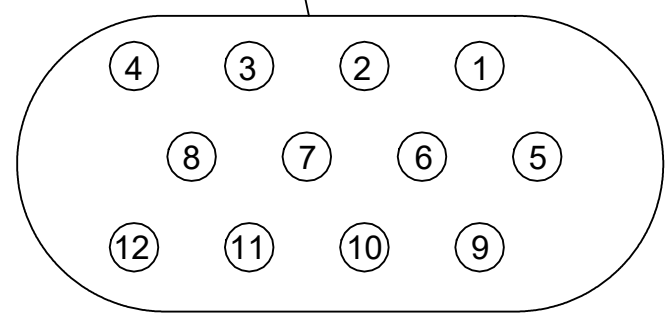
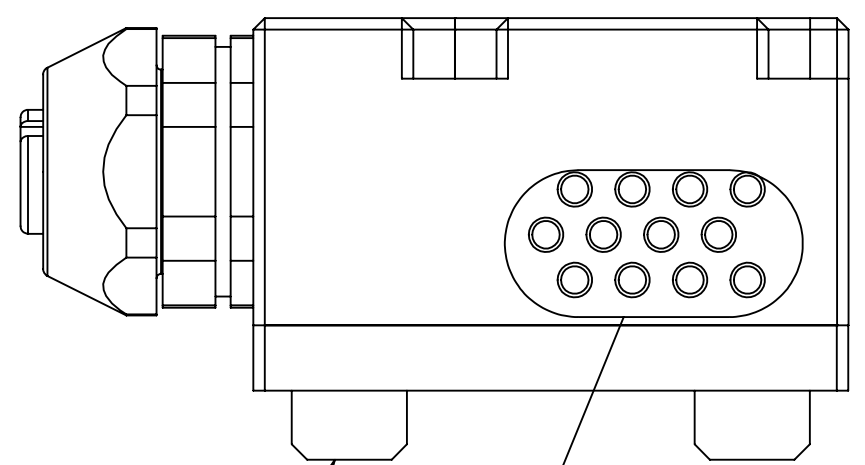
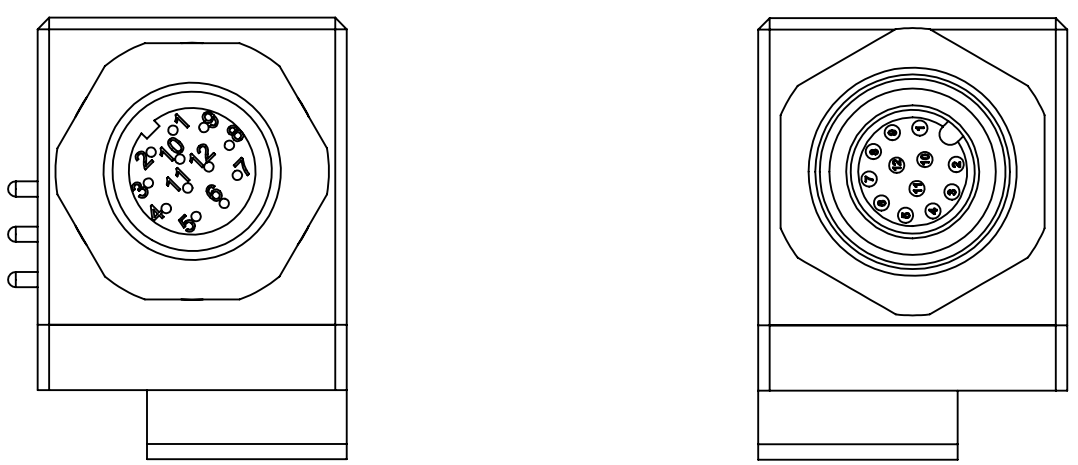
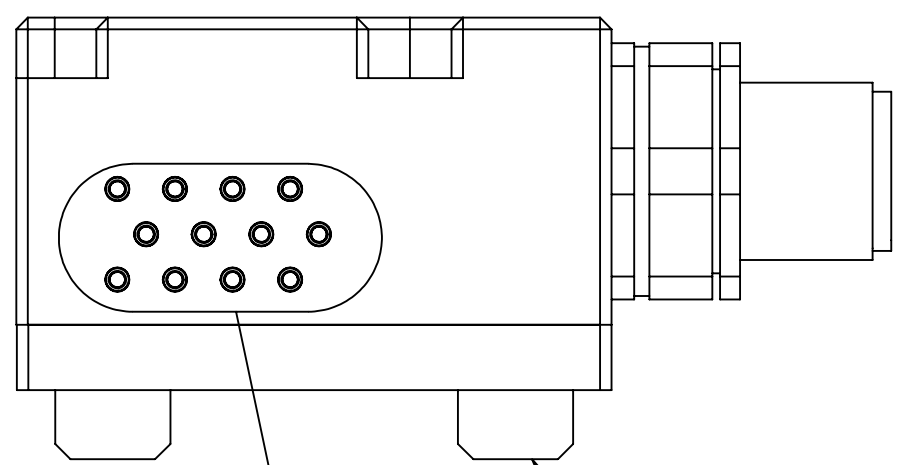
1031 Goodworth Drive, Apex, NC 27539, USA
Tel: +1.919.772.0115 www.ati-ia.com
Fax: +1.919.772.8259 ISO 9001 Registered Company

PROPERTY OF ATI INDUSTRIAL AUTOMATION, INC. NOT TO BE REPRODUCED IN ANY MANNER EXCEPT ON ORDER OR WITH PRIOR WRITTEN AUTHORIZATION OF ATI.

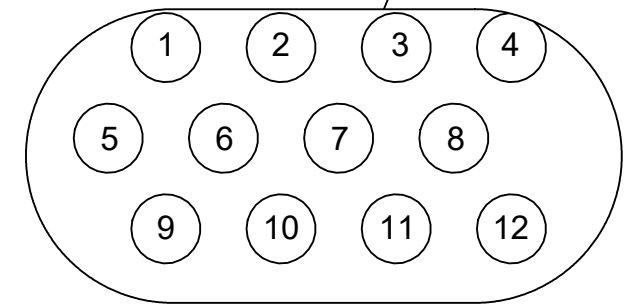
DRAWN BY: P.Luczka, 10/11/19		TITLE	
CHECKED BY: W.Berrocal, 10/21/19		ML12R Electrical Module Customer Drawing	
PROJECT # 190920-1	SHEET 1 OF 4	SCALE 2:1	SIZE B
DRAWING NUMBER 9630-20-ML12R		REVISION 07	

**9120-ML12R-M
Master Module**

**9120-ML12R-T
Tool Module**



DETAIL A
SCALE 4 : 1

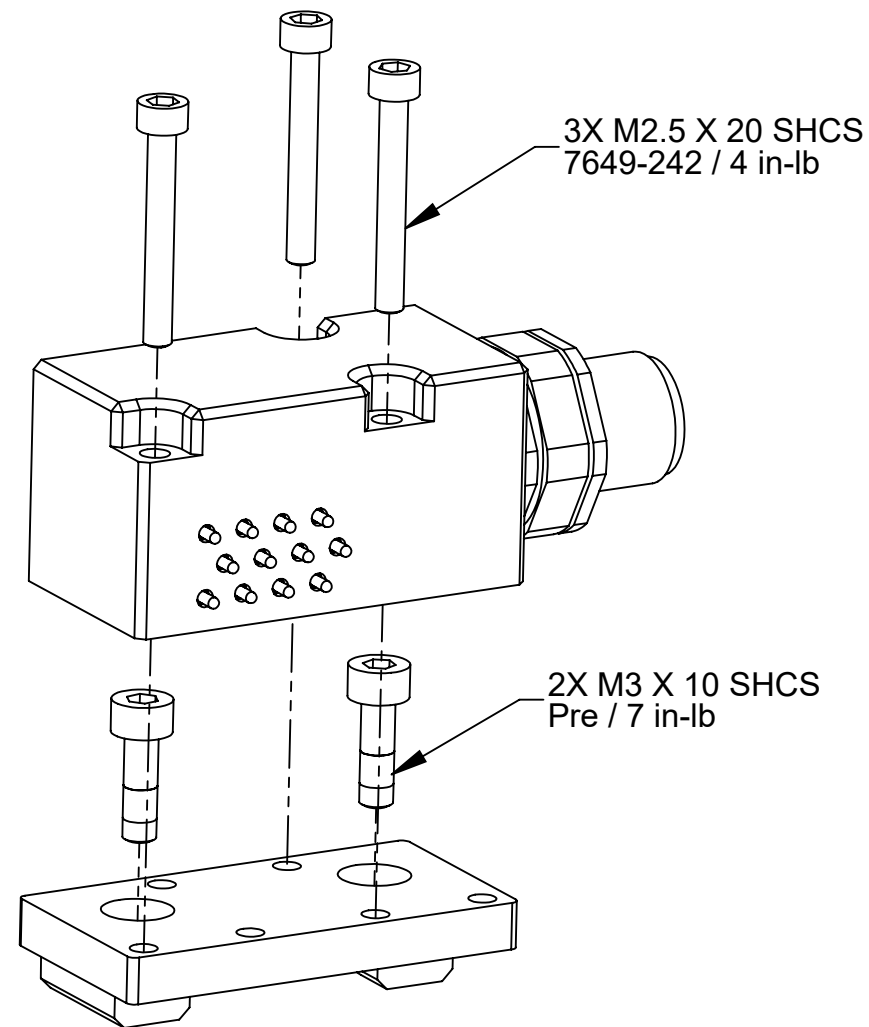


DETAIL B
SCALE 4 : 1

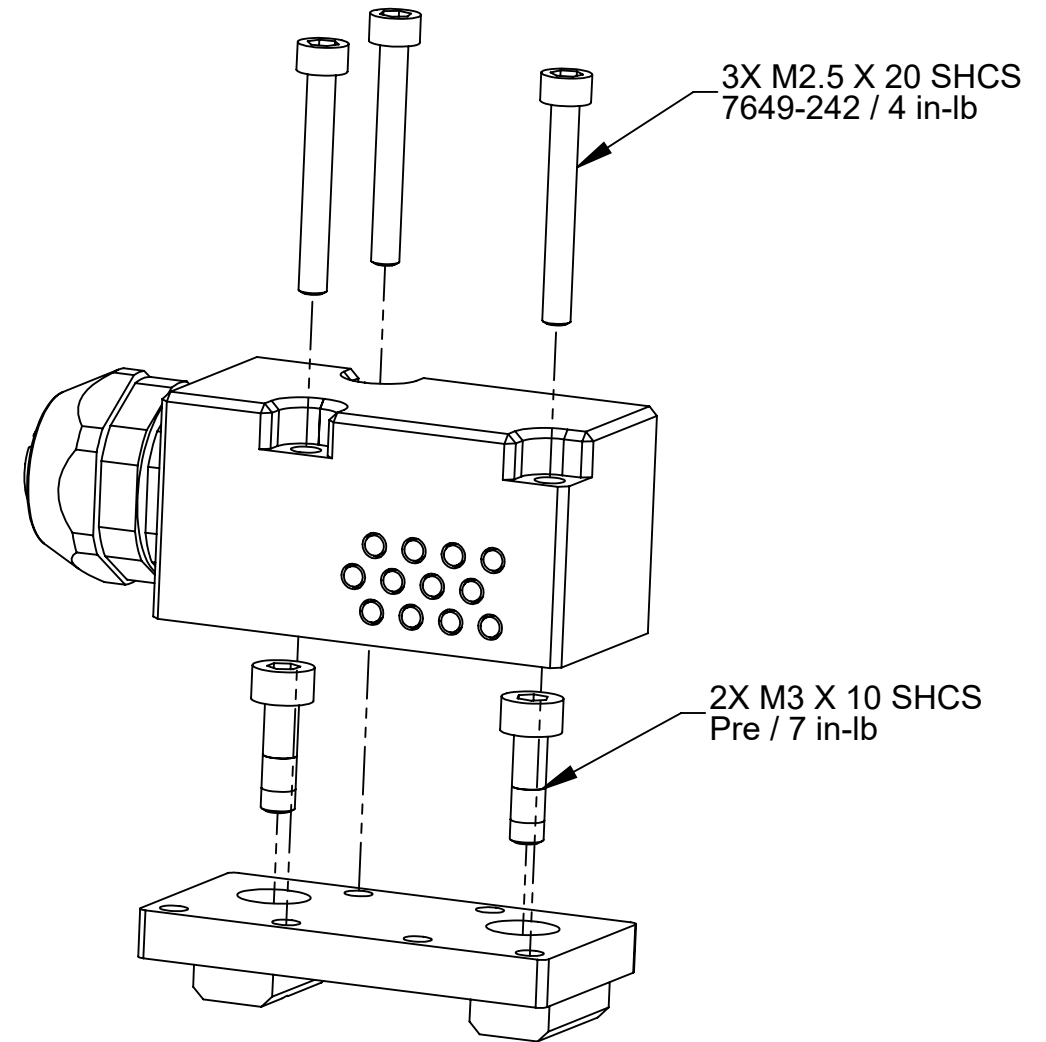
Serviceable part 3700-20-11266 Adapter Plate
common for both Master and Tool modules.

<p>NOTES: UNLESS OTHERWISE SPECIFIED.</p> <p>DO NOT SCALE DRAWING. ALL DIMENSIONS ARE IN MILLIMETERS.</p>			<p>1031 Goodworth Drive, Apex, NC 27539, USA Tel: +1.919.772.0115 www.ati-ia.com Fax: +1.919.772.8259 ISO 9001 Registered Company</p>			
			<p>PROPERTY OF ATI INDUSTRIAL AUTOMATION, INC. NOT TO BE REPRODUCED IN ANY MANNER EXCEPT ON ORDER OR WITH PRIOR WRITTEN AUTHORIZATION OF ATI.</p>			
	<p>DRAWN BY: P.Luczka, 10/11/19</p>	<p>TITLE ML12R Electrcial Module Customer Drawing</p>				
	<p>CHECKED BY: W.Berrocal, 10/21/19</p>	<p>PROJECT # 190920-1 SHEET 2 OF 4</p>	<p>SCALE 2:1</p>	<p>SIZE B</p>	<p>DRAWING NUMBER 9630-20-ML12R</p>	<p>REVISION 07</p>

Mounting Hardware



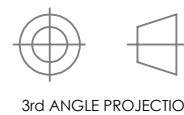
**9120-ML12R-M
Master Module**



**9120-ML12R-T
Tool Module**

NOTES: UNLESS OTHERWISE SPECIFIED.

DO NOT SCALE DRAWING. ALL DIMENSIONS ARE IN MILLIMETERS.



1031 Goodworth Drive, Apex, NC 27539, USA
Tel: +1.919.772.0115 www.ati-ia.com
Fax: +1.919.772.8259 ISO 9001 Registered Company

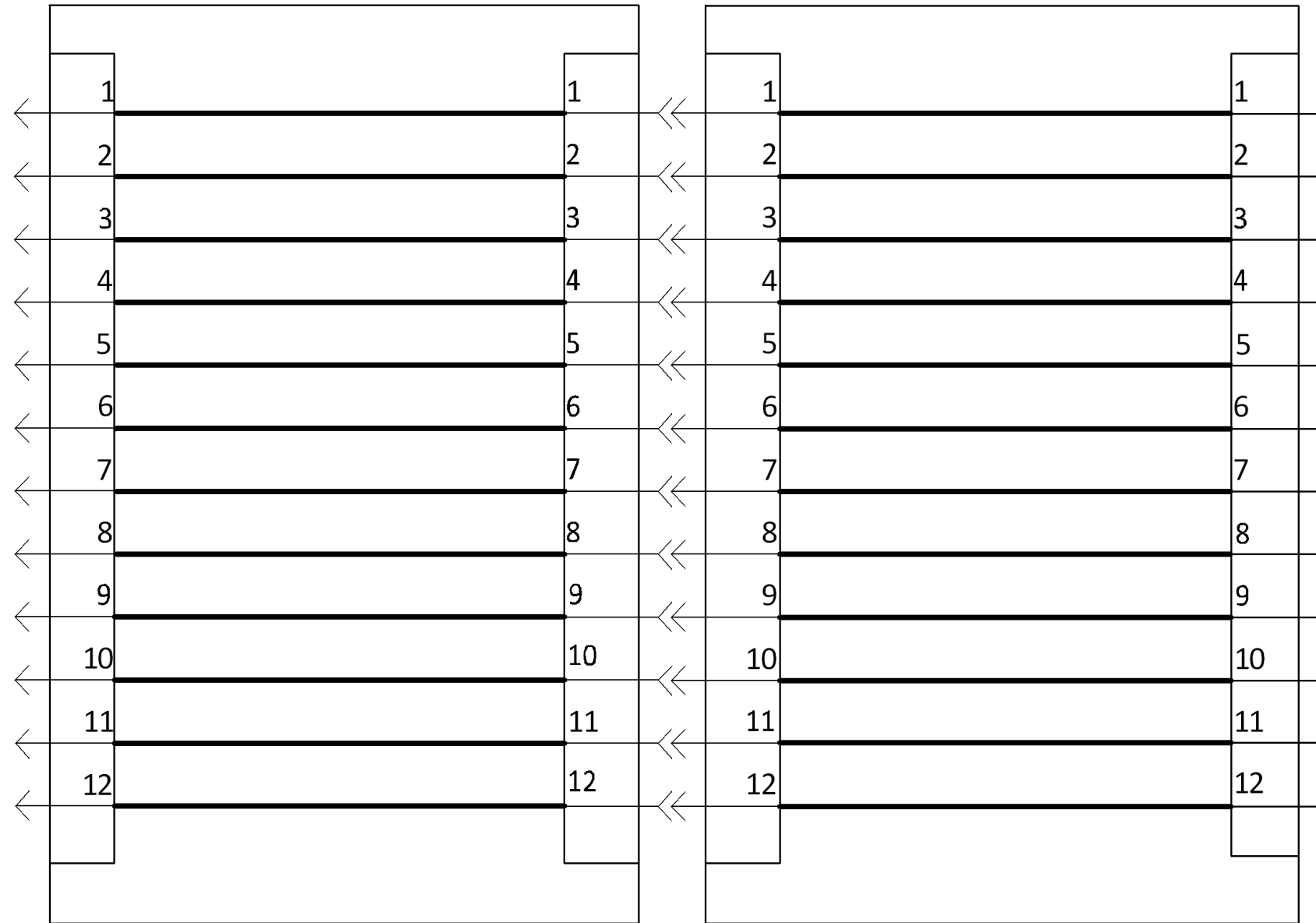
PROPERTY OF ATI INDUSTRIAL AUTOMATION, INC. NOT TO BE REPRODUCED IN ANY MANNER EXCEPT ON ORDER OR WITH PRIOR WRITTEN AUTHORIZATION OF ATI.

DRAWN BY: P.Luczka, 10/11/19		TITLE		
CHECKED BY: W.Berocal, 10/21/19		ML12R Electrcial Module Customer Drawing		
PROJECT # 190920-1	SHEET 3 OF 4	SCALE	SIZE	DRAWING NUMBER
		3:2	B	9630-20-ML12R
				REVISION
				07

9120-ML12R-M

9120-ML12R-T

M12, 12-Pole
Male Connector



M12, 12-Pole
Female
Connector

NOTES: UNLESS OTHERWISE SPECIFIED.

DO NOT SCALE DRAWING.
ALL DIMENSIONS ARE IN
MILLIMETERS.



3rd ANGLE PROJECTION



1031 Goodworth Drive, Apex, NC 27539, USA
Tel: +1.919.772.0115 www.ati-ia.com
Fax: +1.919.772.8259 ISO 9001 Registered Company

PROPERTY OF ATI INDUSTRIAL AUTOMATION, INC. NOT TO BE REPRODUCED IN ANY MANNER EXCEPT ON ORDER OR WITH PRIOR WRITTEN AUTHORIZATION OF ATI.

DRAWN BY: P.Luczka, 10/11/19		TITLE ML12R Electrcial Module Customer Drawing		
CHECKED BY: W.Berrocal, 10/21/19		SCALE 2:1	SIZE B	REVISION 07
PROJECT # 190920-1	SHEET 4 OF 4	DRAWING NUMBER 9630-20-ML12R		