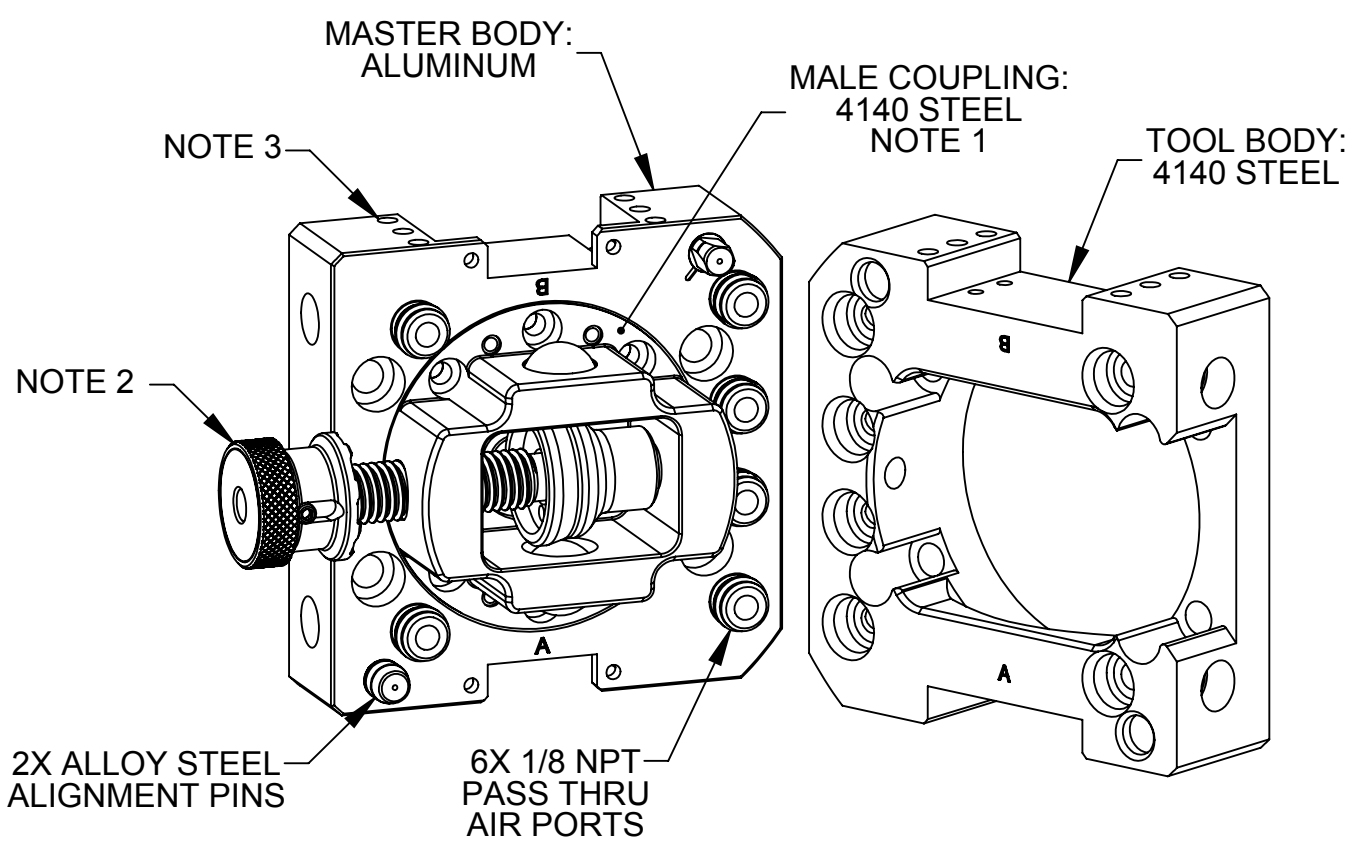
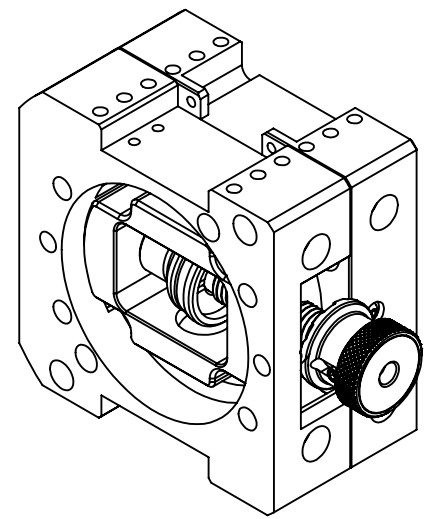
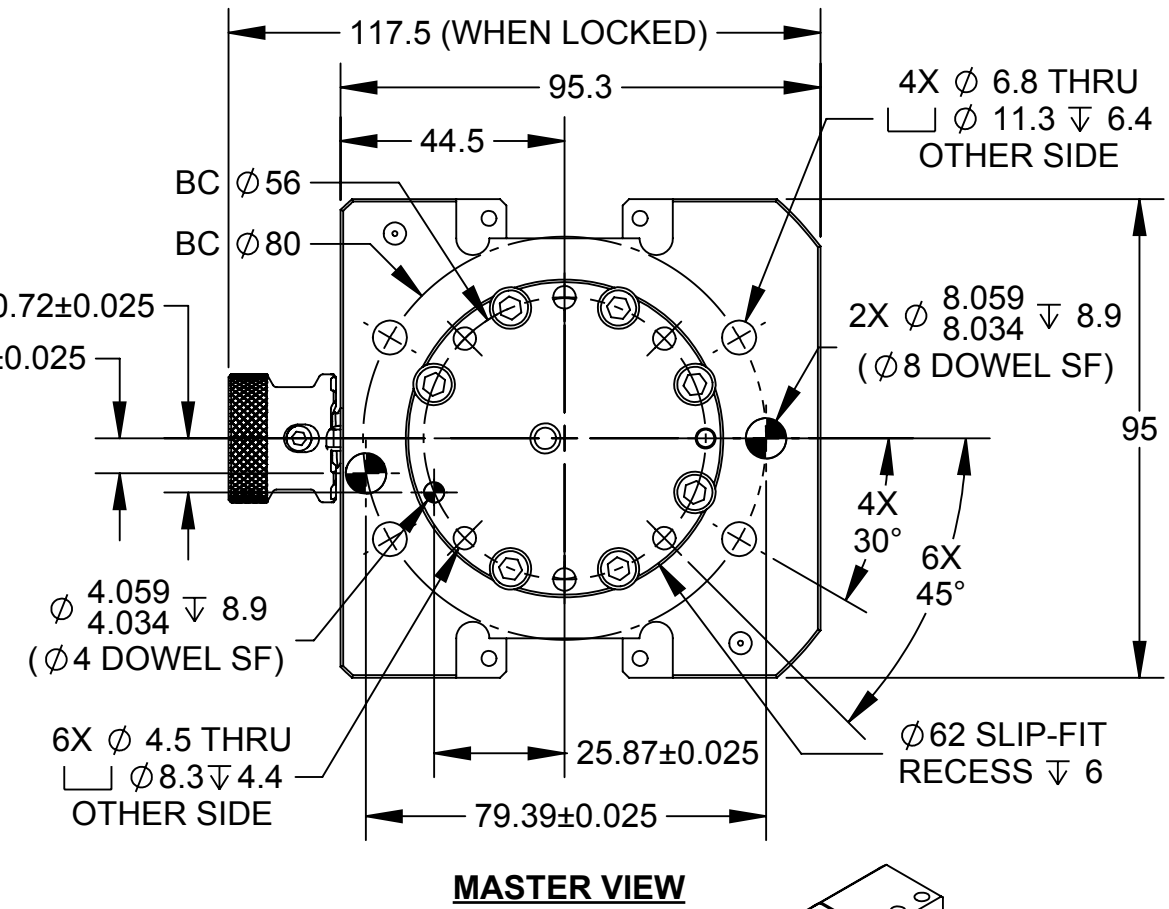
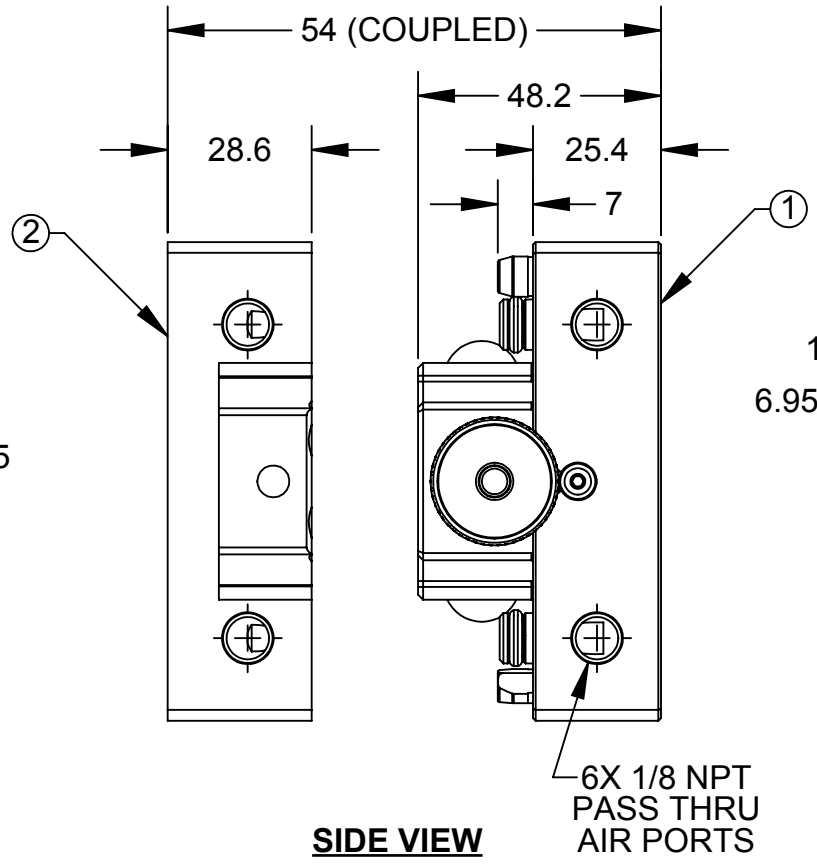
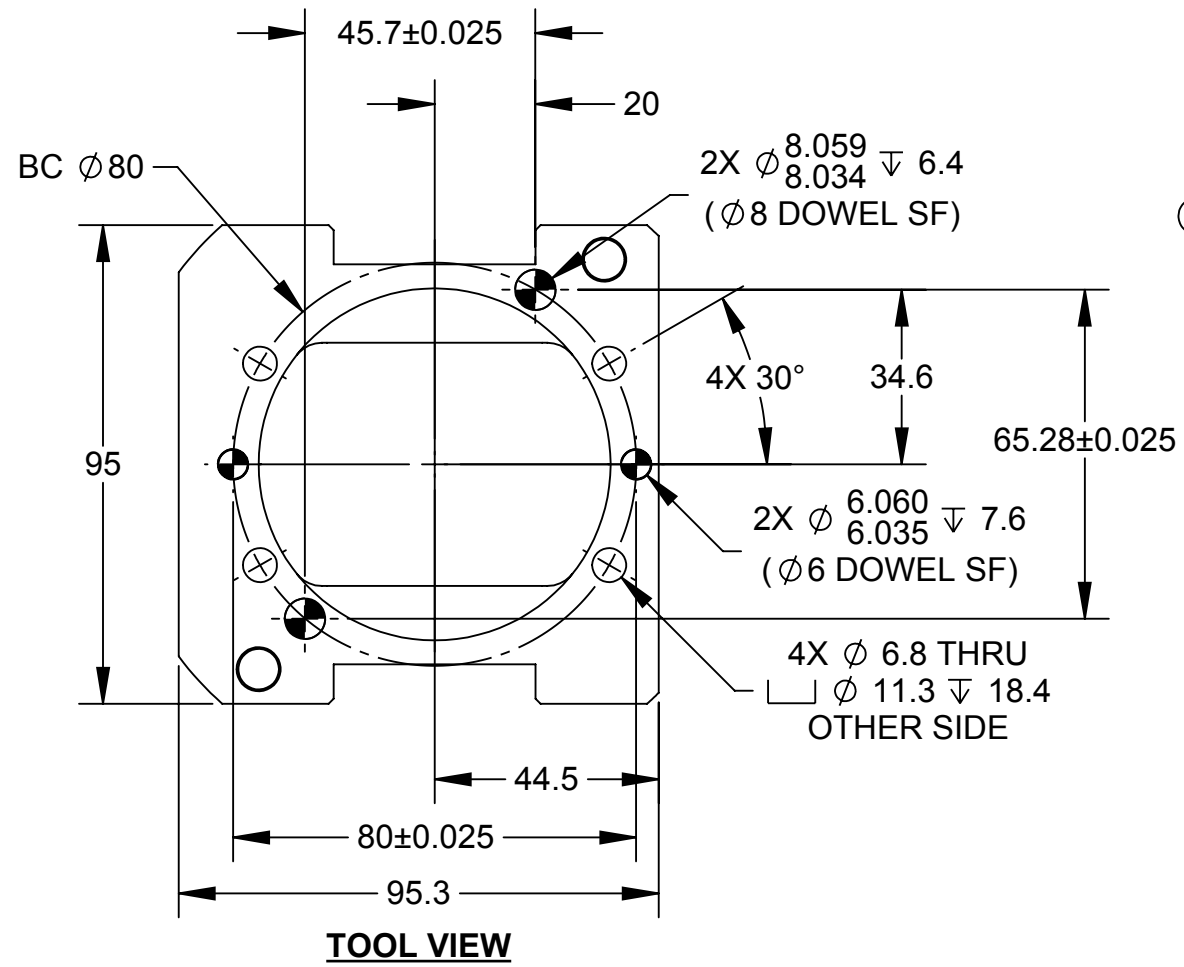


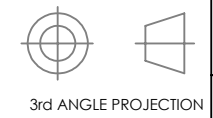
Rev.	Description	Initiator	Date
03	ECO 18606: Updated tolerances.	TBC	1/23/2020

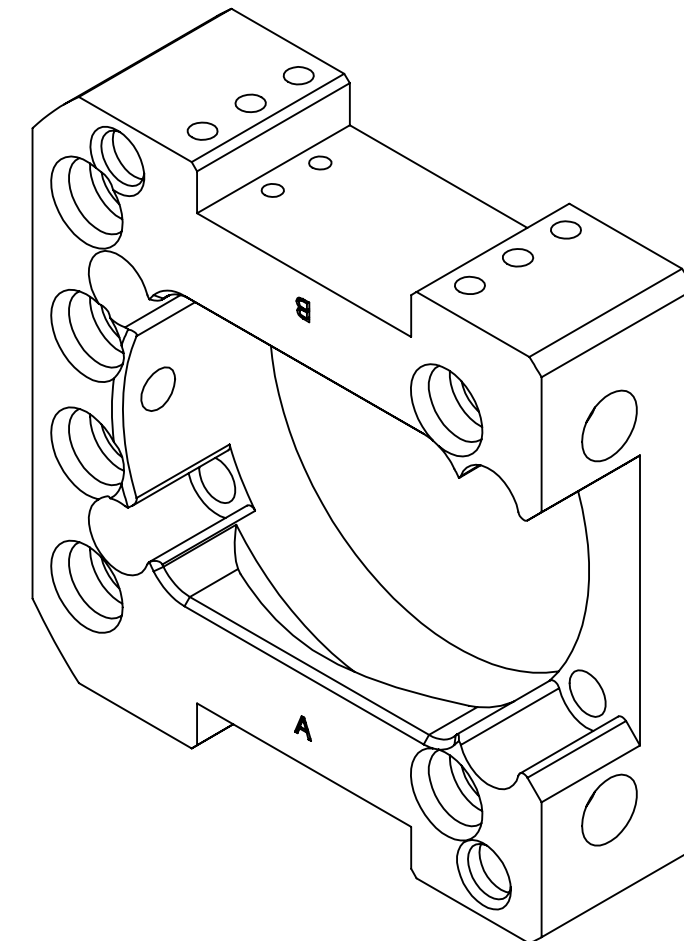
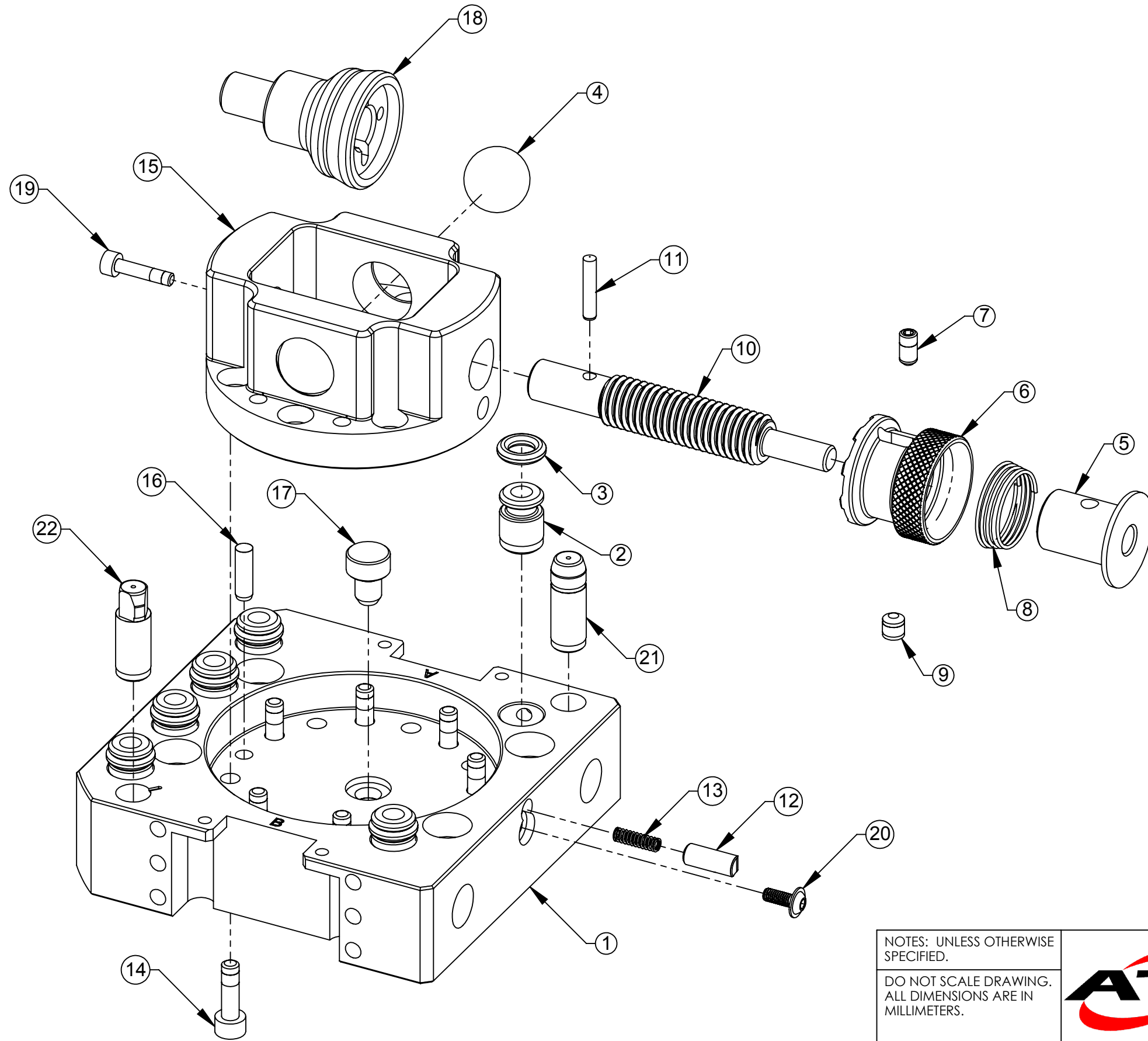


- NOTES:**
1. ALL-STEEL COUPLING W/ HIGH DURABILITY CAM THREAD.
 2. SECURE ANTI-REVERSE RATCHET-TYPE LOCKING KNOB.
 3. (2) MODULE MOUNTING FLATS.

ITEM NO.	QTY	PART NUMBER	DESCRIPTION
1	1	9122-036RM-000-000	MC-36R Manual Tool Changer Master Side
2	1	9122-036T-000-000	MC-036 Base Tool, Manual Coupler - Quick-Action Screw

NOTES: UNLESS OTHERWISE SPECIFIED.		<p>1031 Goodworth Drive, Apex, NC 27539, USA Tel: +1.919.772.0115 Email: info@ati-ia.com Fax: +1.919.772.8259 www.ati-ia.com ISO 9001 Registered Company</p> <p>PROPERTY OF ATI INDUSTRIAL AUTOMATION, INC. NOT TO BE REPRODUCED IN ANY MANNER EXCEPT ON ORDER OR WITH PRIOR WRITTEN AUTHORIZATION OF ATI.</p>	
DO NOT SCALE DRAWING. ALL DIMENSIONS ARE IN MILLIMETERS.			
DRAWN BY: B. KENDRICK 7/8/16		TITLE	
CHECKED BY: D. NORTON 7/11/16		MC-036R MANUAL TOOL CHANGER WITH (6) 1/8" NPT PORTS, ALL-STEEL COUPLING, RATCHET KNOB	
SCALE	SIZE	DRAWING NUMBER	REVISION
1:1.5	B	9630-20-MC36R	03





9122-036T-000-000
 MC-036 MANUAL TOOL CHANGER, TOOL SIDE
 WITH (6) 1/8" NPT PORTS

9122-036RM-000-000
 MC-036R MANUAL TOOL CHANGER, MASTER SIDE
 WITH (6) 1/8" NPT PORTS, ALL-STEEL COUPLING, RATCHET KNOB

NOTES: UNLESS OTHERWISE SPECIFIED.

DO NOT SCALE DRAWING. ALL DIMENSIONS ARE IN MILLIMETERS.



3rd ANGLE PROJECTION



1031 Goodworth Drive, Apex, NC 27539, USA
 Tel: +1.919.772.0115 Email: info@ati-ia.com
 Fax: +1.919.772.8259 www.ati-ia.com
 ISO 9001 Registered Company

PROPERTY OF ATI INDUSTRIAL AUTOMATION, INC. NOT TO BE REPRODUCED IN ANY MANNER EXCEPT ON ORDER OR WITH PRIOR WRITTEN AUTHORIZATION OF ATI.

DRAWN BY: B. KENDRICK 7/8/16		TITLE	
CHECKED BY: D. NORTON 7/11/16		MC-036R MANUAL TOOL CHANGER WITH (6) 1/8" NPT PORTS, ALL-STEEL COUPLING, RATCHET KNOB	
SCALE	SIZE	DRAWING NUMBER	REVISION
1:1	B	9630-20-MC36R	03
PROJECT # 150609-2 SHEET 2 OF 2			