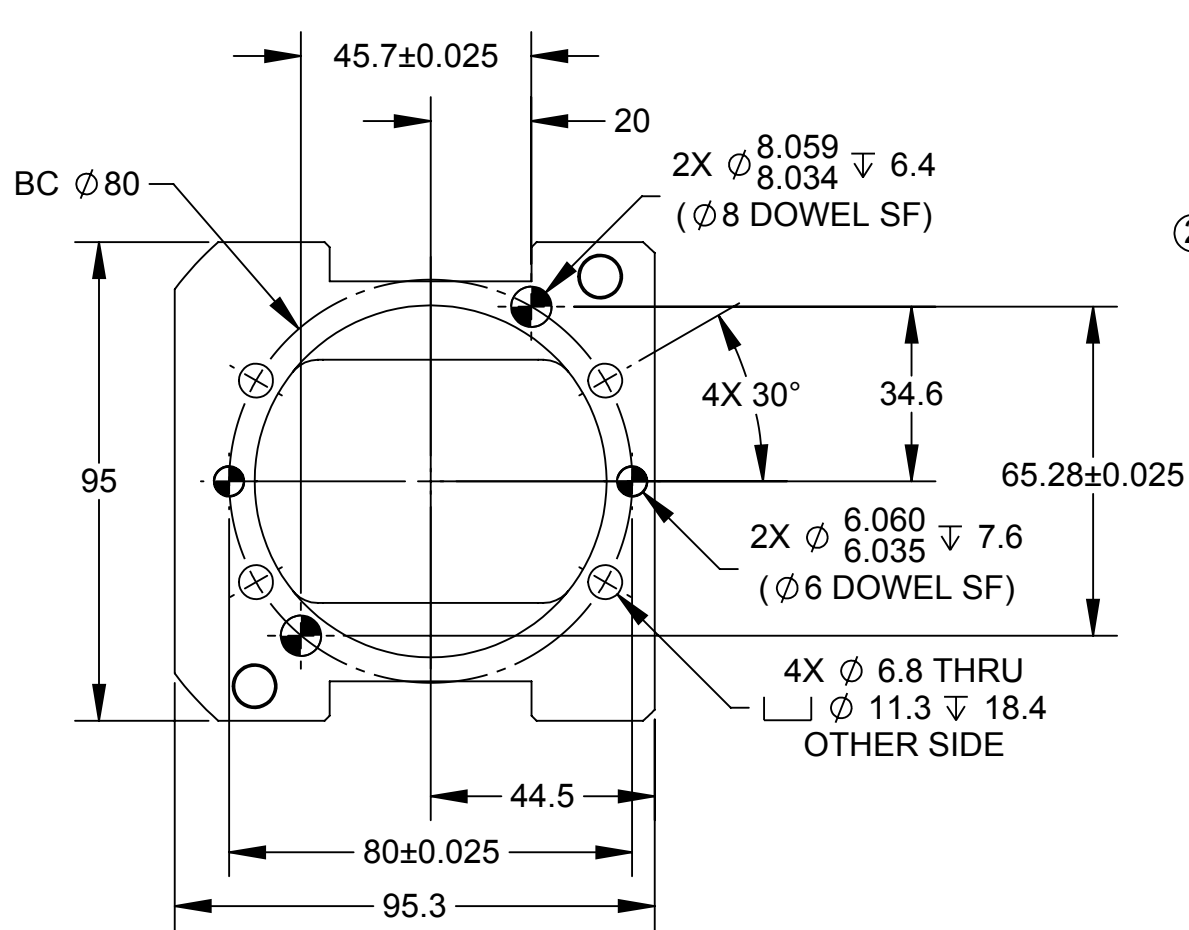
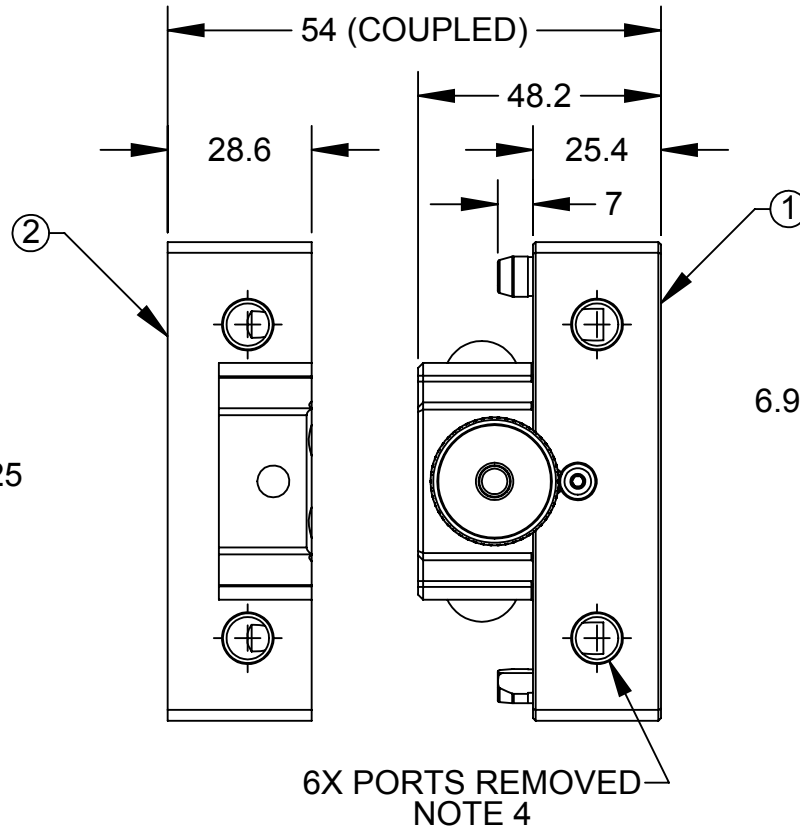


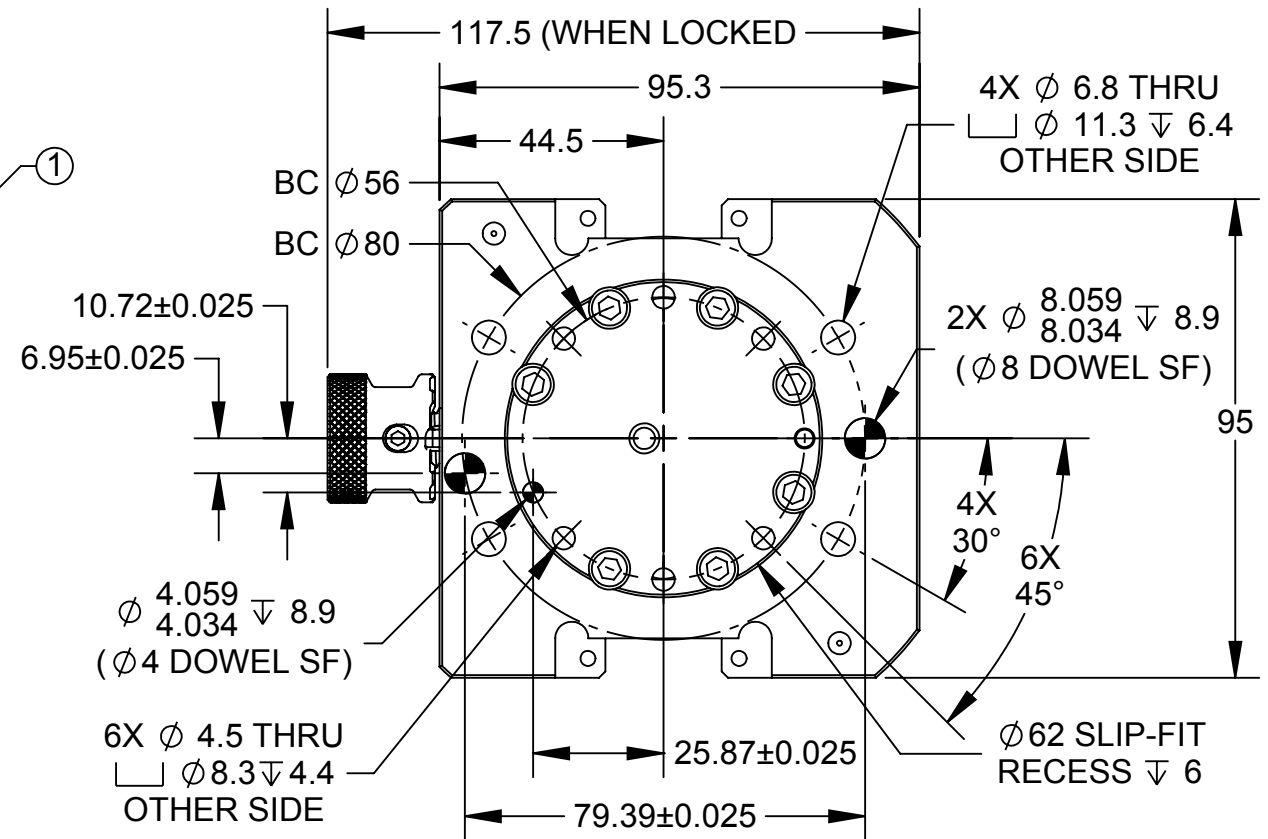
Rev.	Description	Initiator	Date
02	ECO 18606: Updated tolerances.	TBC	1/24/2020



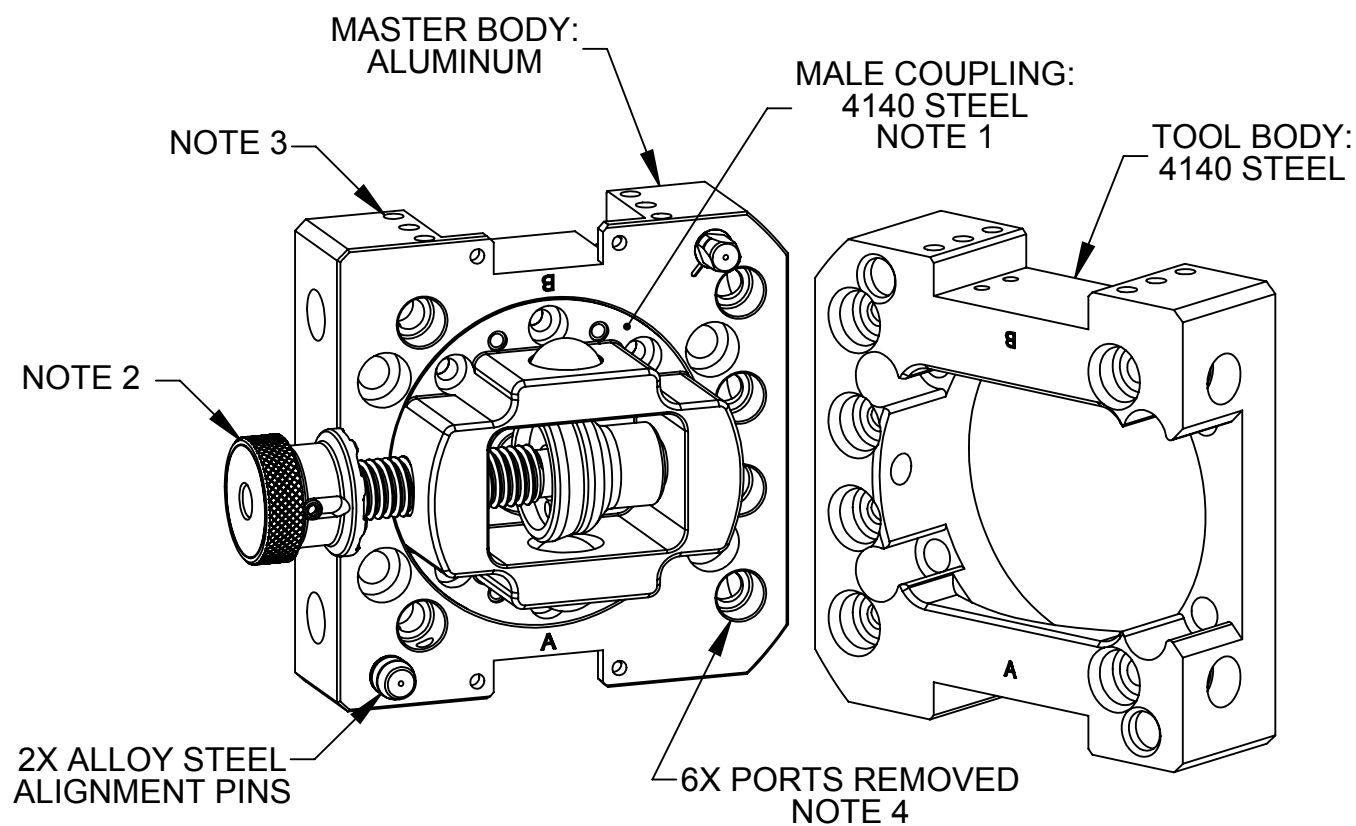
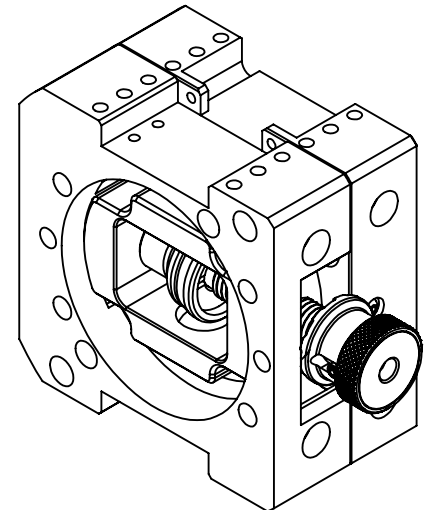
TOOL VIEW



SIDE VIEW



MASTER VIEW



NOTES:

1. ALL-STEEL COUPLING W/ HIGH DURABILITY CAM THREAD.
2. SECURE ANTI-REVERSE RATCHET-TYPE LOCKING KNOB.
3. (2) MODULE MOUNTING FLATS.
4. NO PASS THRU AIR. NIPPLE PORTS AND SEALS REMOVED.

ITEM NO.	QTY	PART NUMBER	DESCRIPTION
1	1	9122-036RM-000-000-NP	MC-36R Manual Tool Changer Master, Ports Removed
2	1	9122-036T-000-000	MC-036 Base Tool, Manual Coupler - Quick-Action Screw

NOTES: UNLESS OTHERWISE SPECIFIED.

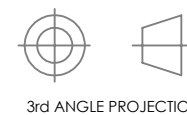
DO NOT SCALE DRAWING. ALL DIMENSIONS ARE IN MILLIMETERS.



1031 Goodworth Drive, Apex, NC 27539, USA
 Tel: +1.919.772.0115 Email: info@ati-ia.com
 Fax: +1.919.772.8259 www.ati-ia.com
 ISO 9001 Registered Company

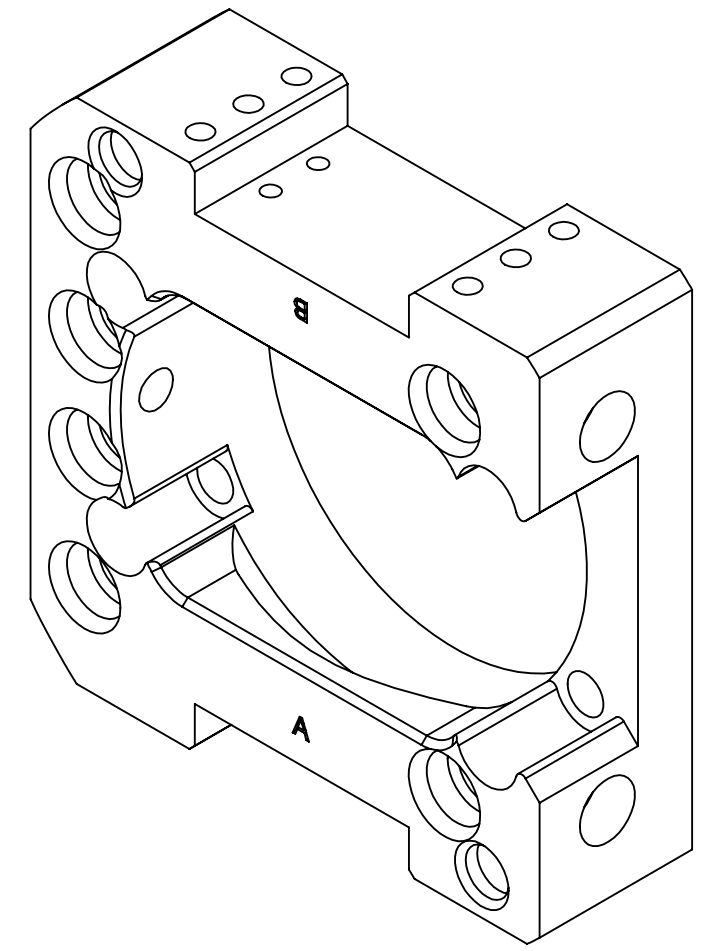
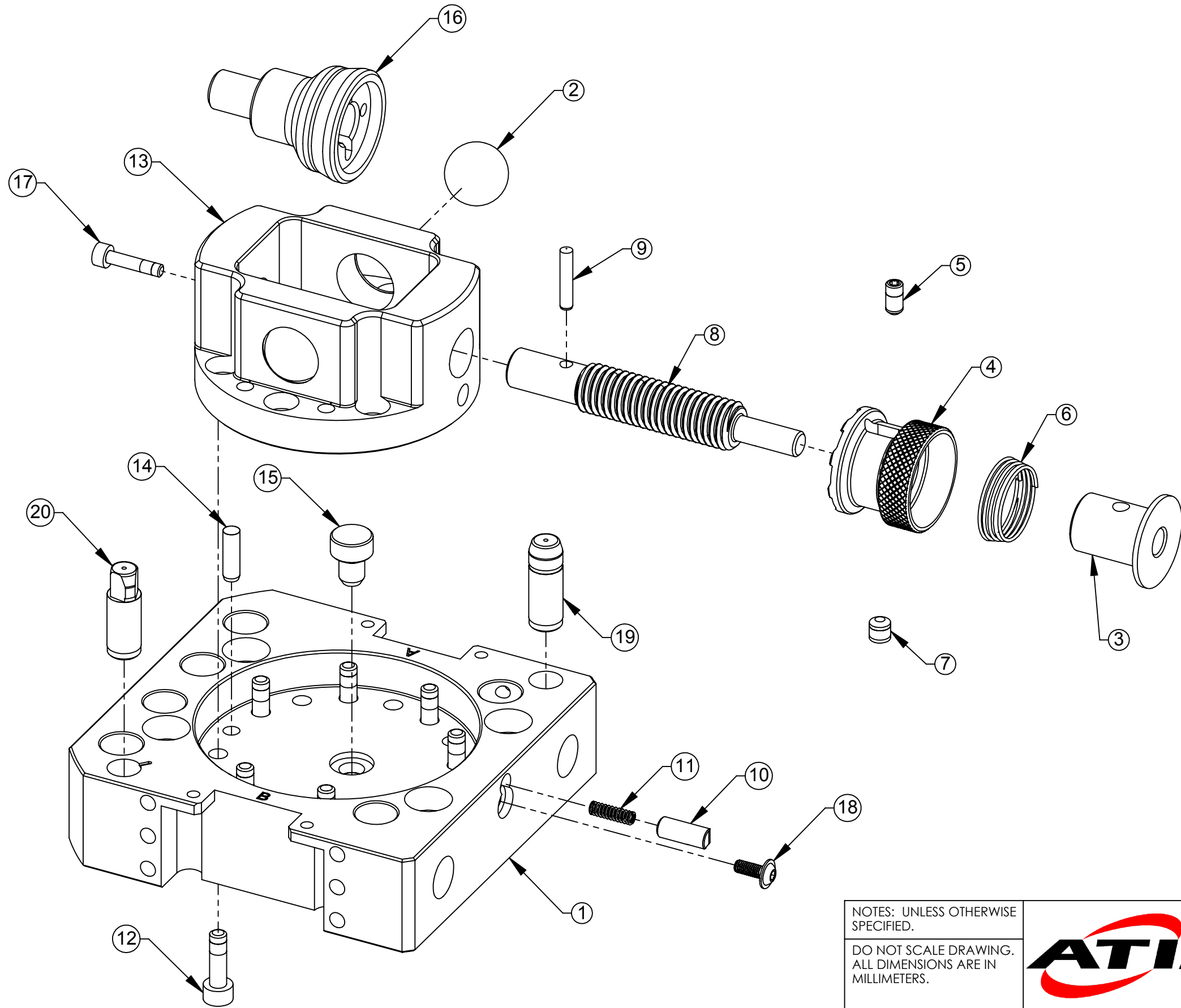
PROPERTY OF ATI INDUSTRIAL AUTOMATION, INC. NOT TO BE REPRODUCED IN ANY MANNER EXCEPT ON ORDER OR WITH PRIOR WRITTEN AUTHORIZATION OF ATI.

DRAWN BY: B. KENDRICK 10/24/16		TITLE	
CHECKED BY: D. NORTON 10/24/16		MC-036R MANUAL TOOL CHANGER, PORTS REMOVED	
SCALE	SIZE	DRAWING NUMBER	REVISION
1:1.5	B	9630-20-MC36R-NP	02



3rd ANGLE PROJECTION

PROJECT # 150609-2 SHEET 1 OF 2

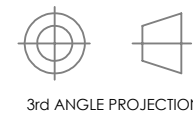


9122-036T-000-000
MC-036 MANUAL TOOL CHANGER, TOOL SIDE

9122-036RM-000-000-NP
MC-036R MANUAL TOOL CHANGER MASTER SIDE, PORTS REMOVED

NOTES: UNLESS OTHERWISE SPECIFIED.

DO NOT SCALE DRAWING. ALL DIMENSIONS ARE IN MILLIMETERS.



1031 Goodworth Drive, Apex, NC 27539, USA
Tel: +1.919.772.0115 Email: info@ati-ia.com
Fax: +1.919.772.8259 www.ati-ia.com
ISO 9001 Registered Company

PROPERTY OF ATI INDUSTRIAL AUTOMATION, INC. NOT TO BE REPRODUCED IN ANY MANNER EXCEPT ON ORDER OR WITH PRIOR WRITTEN AUTHORIZATION OF ATI.

DRAWN BY: B. KENDRICK 10/24/16		TITLE	
CHECKED BY: D. NORTON 10/24/16		MC-036R MANUAL TOOL CHANGER, PORTS REMOVED	
PROJECT #	150609-2	SHEET	2 OF 2
SCALE	1:1	SIZE	B
DRAWING NUMBER	9630-20-MC36R-NP		REVISION
			02