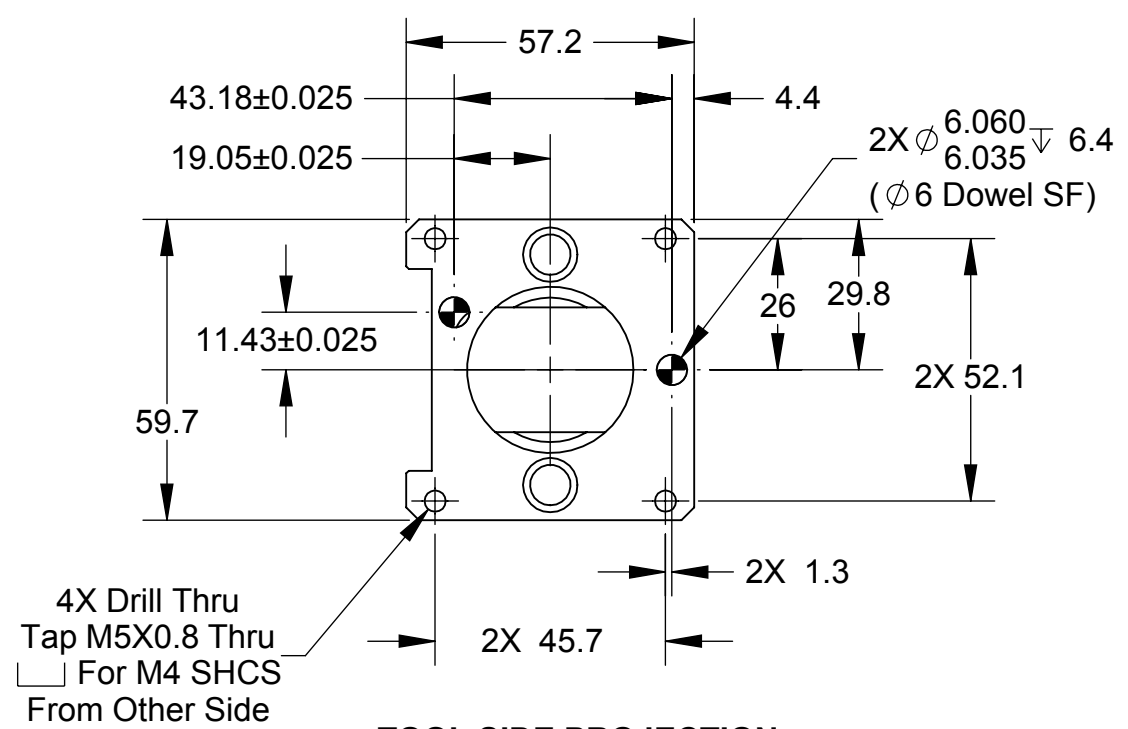
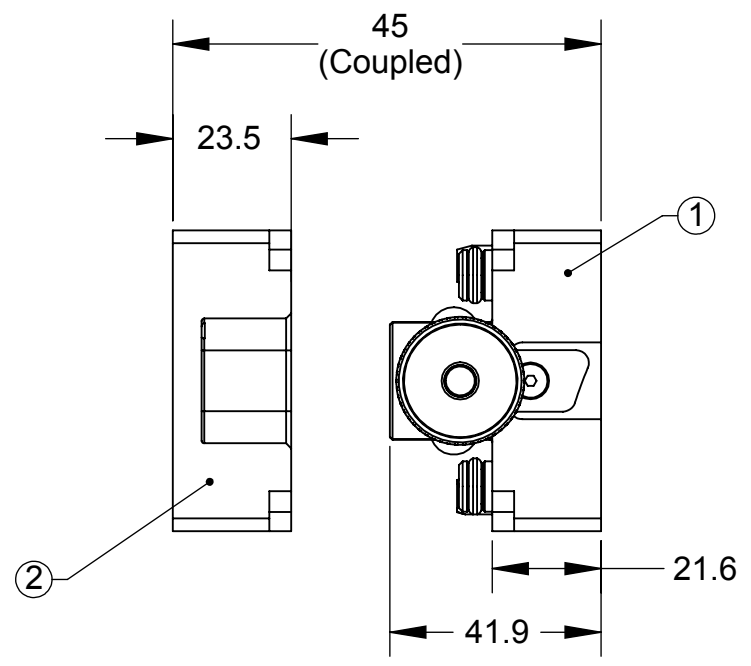


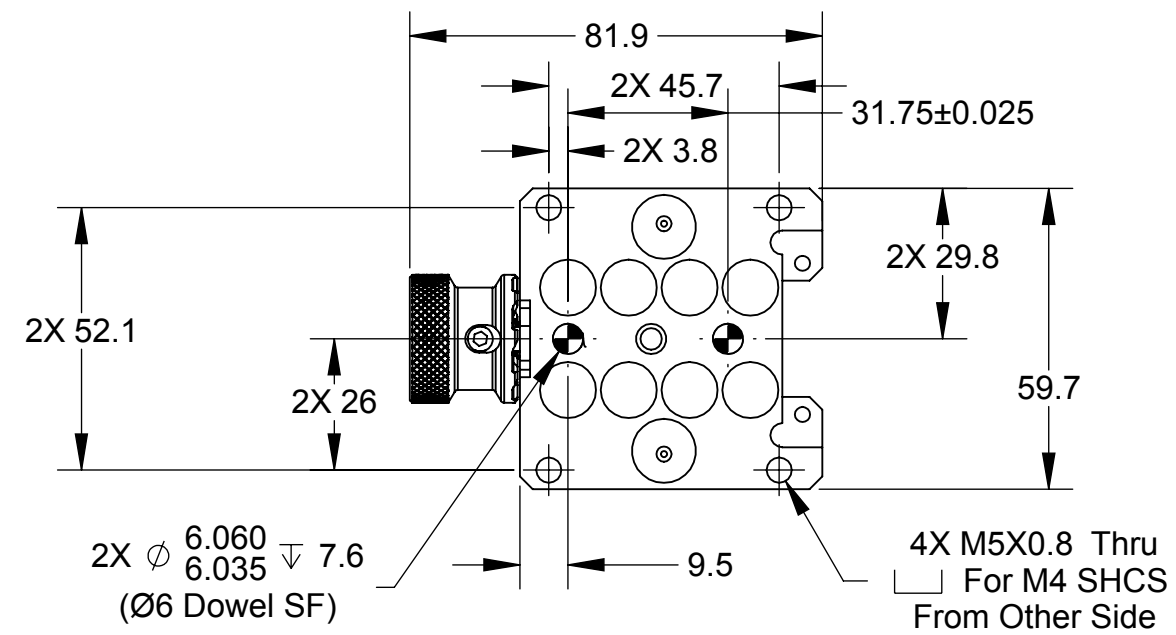
Rev.	Description	Initiator	Date
03	ECO 18605; Updated tolerances.	LJH	1/17/2020



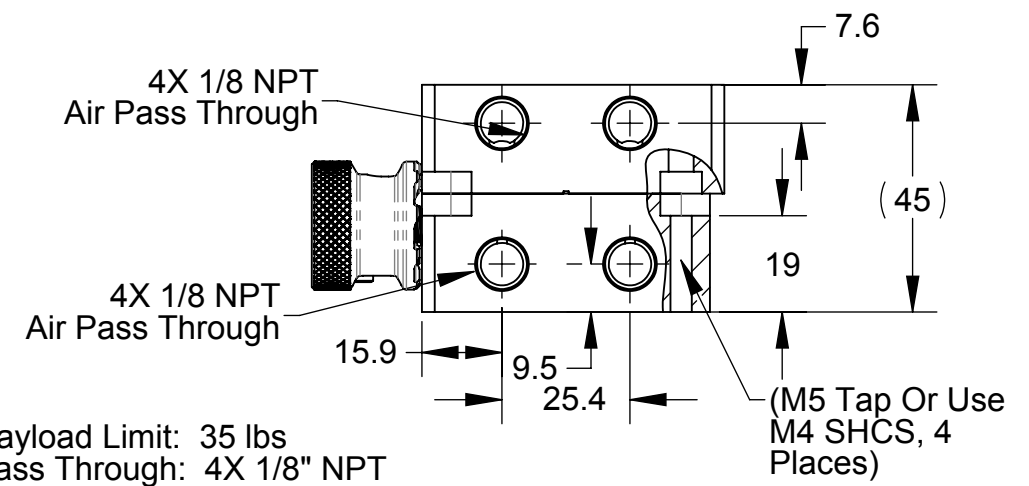
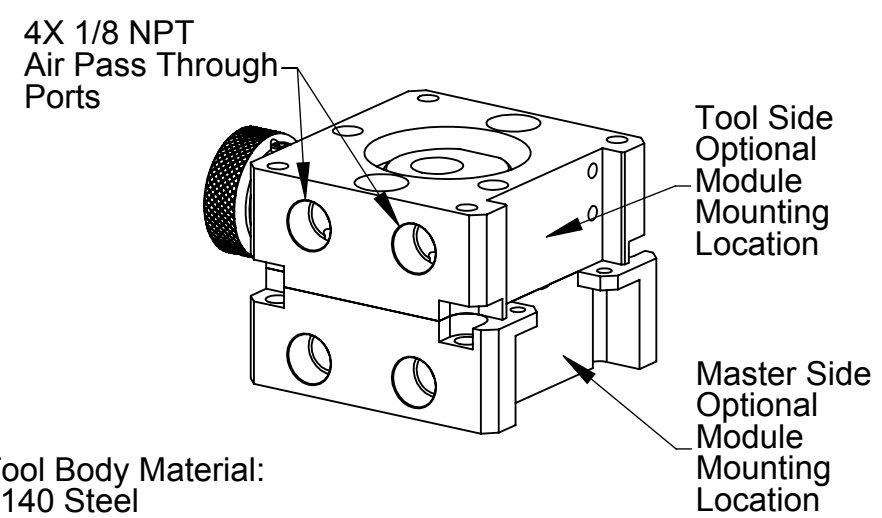
**TOOL SIDE PROJECTION**



**SIDE PROJECTION**

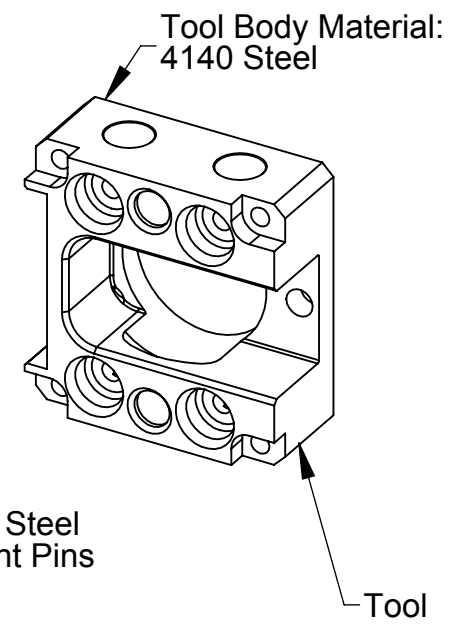
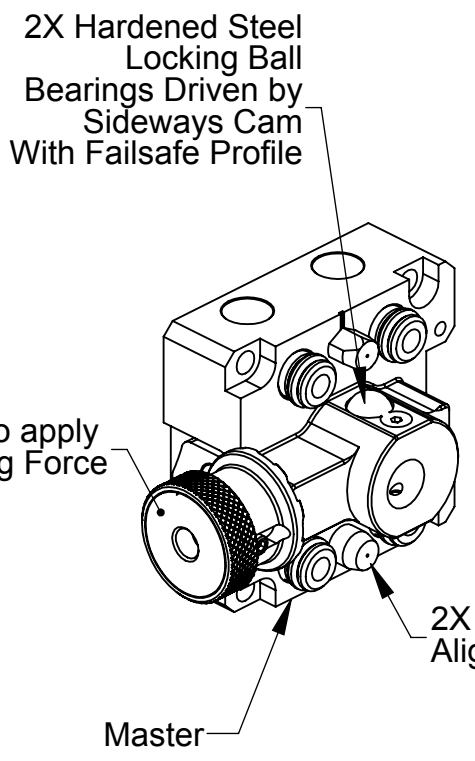


**MASTER SIDE PROJECTION**

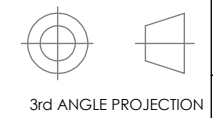


- Notes:
- Suggested Payload Limit: 35 lbs  
Pneumatic Pass Through: 4X 1/8" NPT
  - Unit Features one additional module mounting flat
  - Compatible Modules: D series and K series electrical modules

ITEM NO.	QTY.	PART NUMBER	DESCRIPTION
1	1	9122-016RM-000	MC-16R Base Master, Steel Fully Threaded, Ratchet Knob
2	1	9122-016T-000	MC016 Manual Coupler Base Tool with (4) 1/8" NPT Ports



NOTES: UNLESS OTHERWISE SPECIFIED.  
DO NOT SCALE DRAWING. ALL DIMENSIONS ARE IN MILLIMETERS.

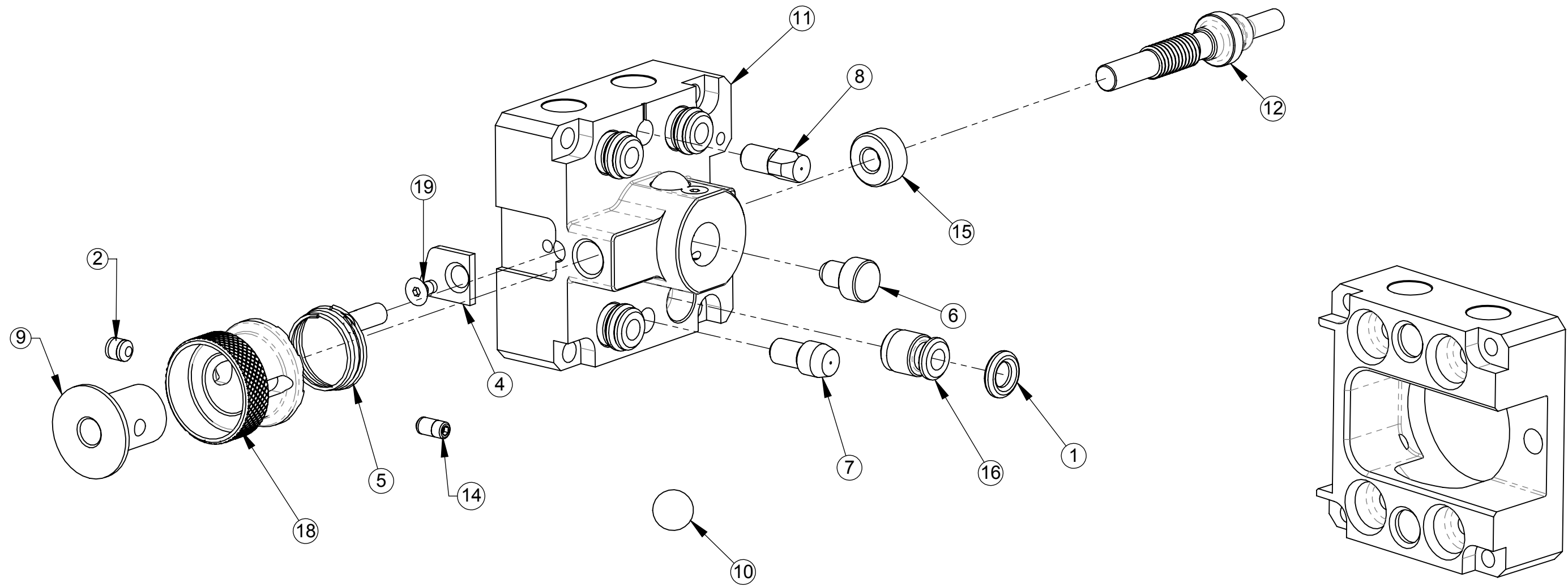


1031 Goodworth Drive, Apex, NC 27539, USA  
Tel: +1.919.772.0115 Email: info@ati-ia.com  
Fax: +1.919.772.8259 www.ati-ia.com  
ISO 9001 Registered Company

PROPERTY OF ATI INDUSTRIAL AUTOMATION, INC. NOT TO BE REPRODUCED IN ANY MANNER EXCEPT ON ORDER OR WITH PRIOR WRITTEN AUTHORIZATION OF ATI.

DRAWN BY: D. Norton 2/20/15		TITLE	
CHECKED BY: KRZ 2/23/15		MC-16R All Steel Master, Fully Threaded, Ratchet Knob Drawing	
SCALE	SIZE	DRAWING NUMBER	REVISION
1:1.5	B	9630-20-MC16R	03

PROJECT # 131119-2 SHEET 1 OF 2



**9122-016RM-000**

MC16 Manual Coupler Base Master with 4X 1/8" NPT Ports  
All Steel Housing, Fully Threaded Cam, Ratchet Knob

**9122-016T-000**  
MC-16 Manual Coupler Base  
Tool with 4X 1/8" NPT Ports

NOTES: UNLESS OTHERWISE SPECIFIED.

DO NOT SCALE DRAWING. ALL DIMENSIONS ARE IN MILLIMETERS.



3rd ANGLE PROJECTION



1031 Goodworth Drive, Apex, NC 27539, USA  
Tel: +1.919.772.0115 Email: info@ati-ia.com  
Fax: +1.919.772.8259 www.ati-ia.com  
ISO 9001 Registered Company

PROPERTY OF ATI INDUSTRIAL AUTOMATION, INC. NOT TO BE REPRODUCED IN ANY MANNER EXCEPT ON ORDER OR WITH PRIOR WRITTEN AUTHORIZATION OF ATI.

DRAWN BY: D. Norton 2/20/15		TITLE		
CHECKED BY: KRZ 2/23/15		MC-16R All Steel Master, Fully Threaded, Ratchet Knob Drawing		
PROJECT # 131119-2	SHEET 2 OF 2	SCALE 1:1	SIZE B	DRAWING NUMBER 9630-20-MC16R
				REVISION 03