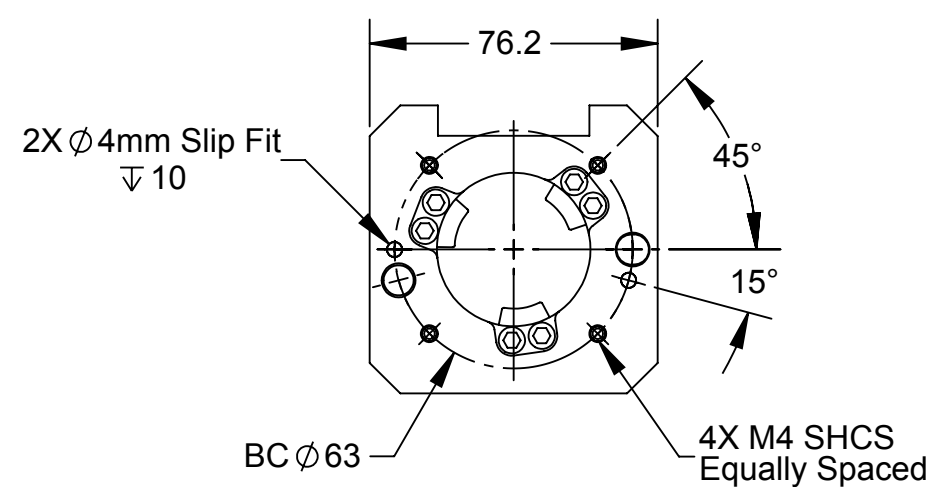
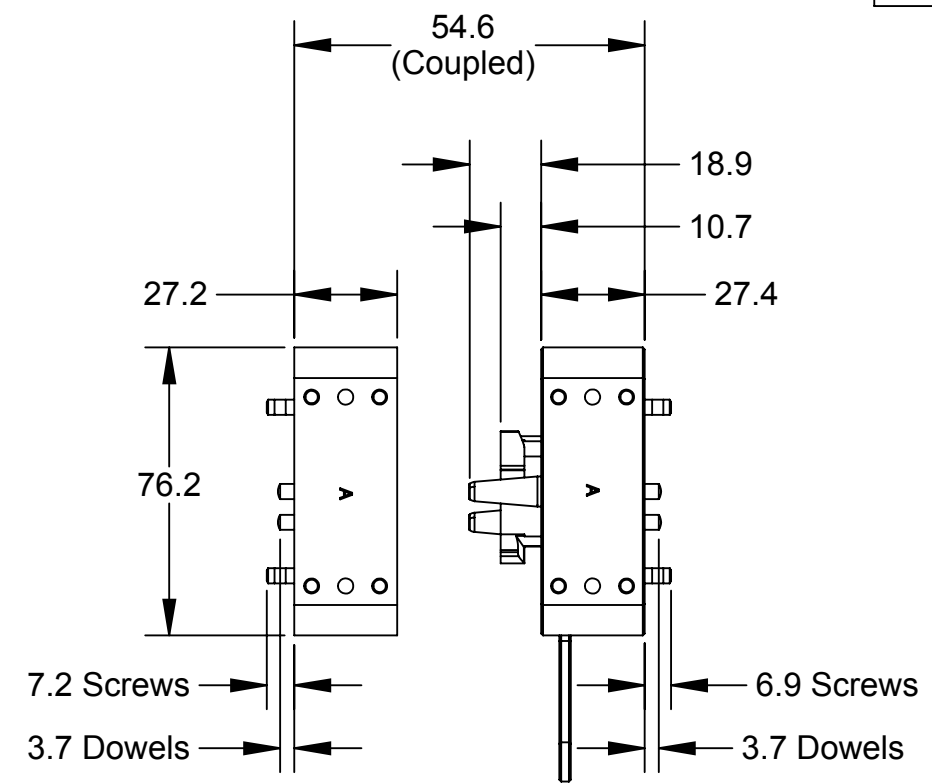


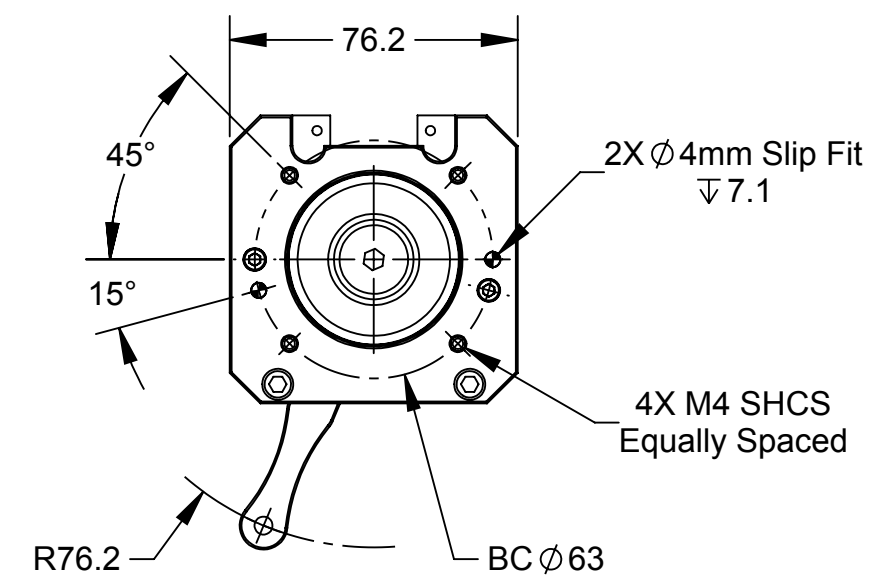
Rev.	Description	Initiator	Date
02	Eco 9945; Created Drawing	MDP	7/3/2012
03	ECO 17817; Removed "Utility" from description. Corrected Sheet 3 views.	MLS	4/10/2019



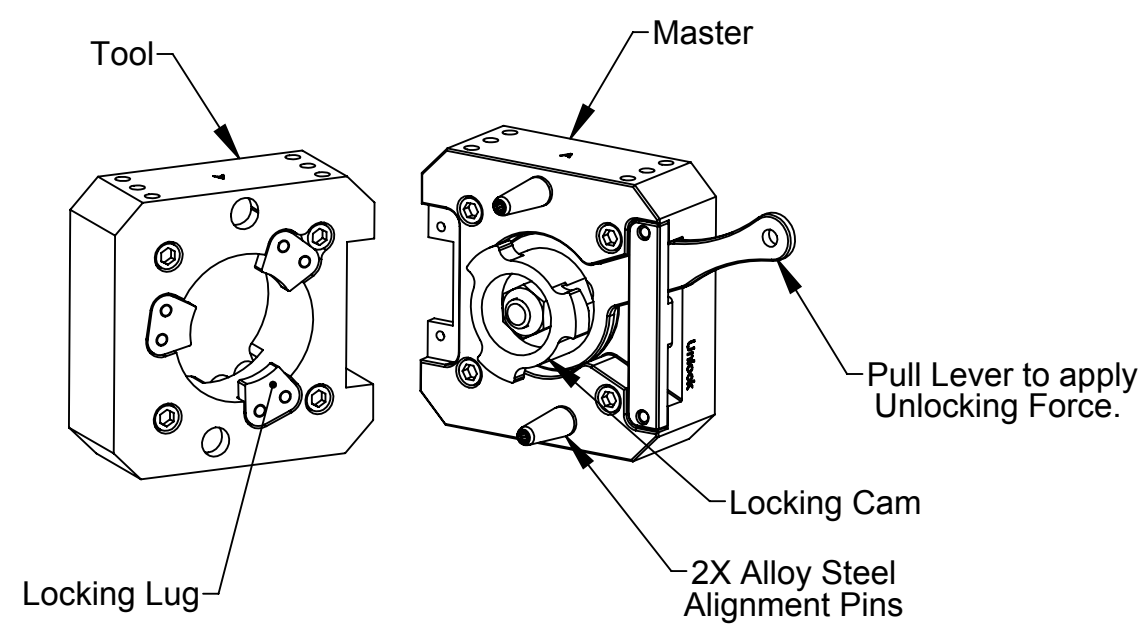
**Tool Side Projection**



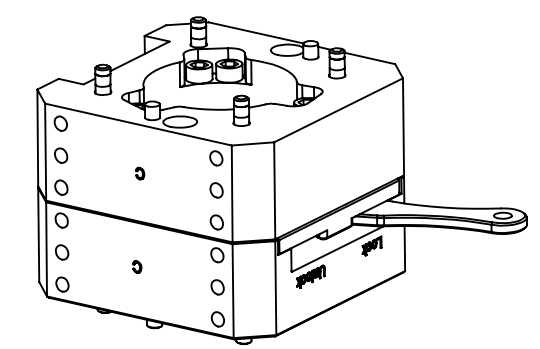
**Side View Uncoupled**



**Master Side Projection**

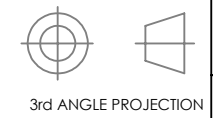


- Notes:
1. Suggested Payload Limit: 5lbs
  2. Locking Mechanism actuated via Lever with Safety Detents.



NOTES: UNLESS OTHERWISE SPECIFIED.

DO NOT SCALE DRAWING. ALL DIMENSIONS ARE IN MILLIMETERS.

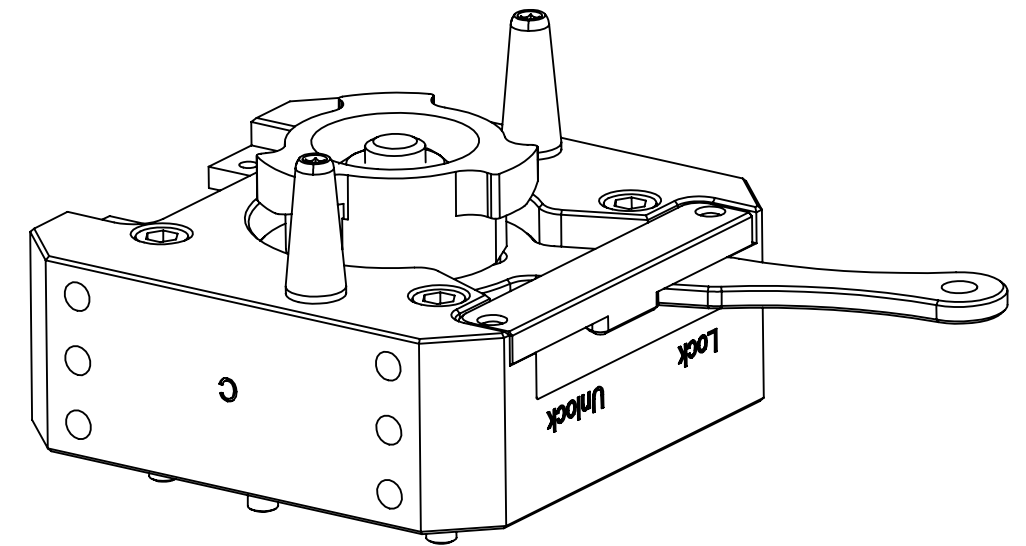
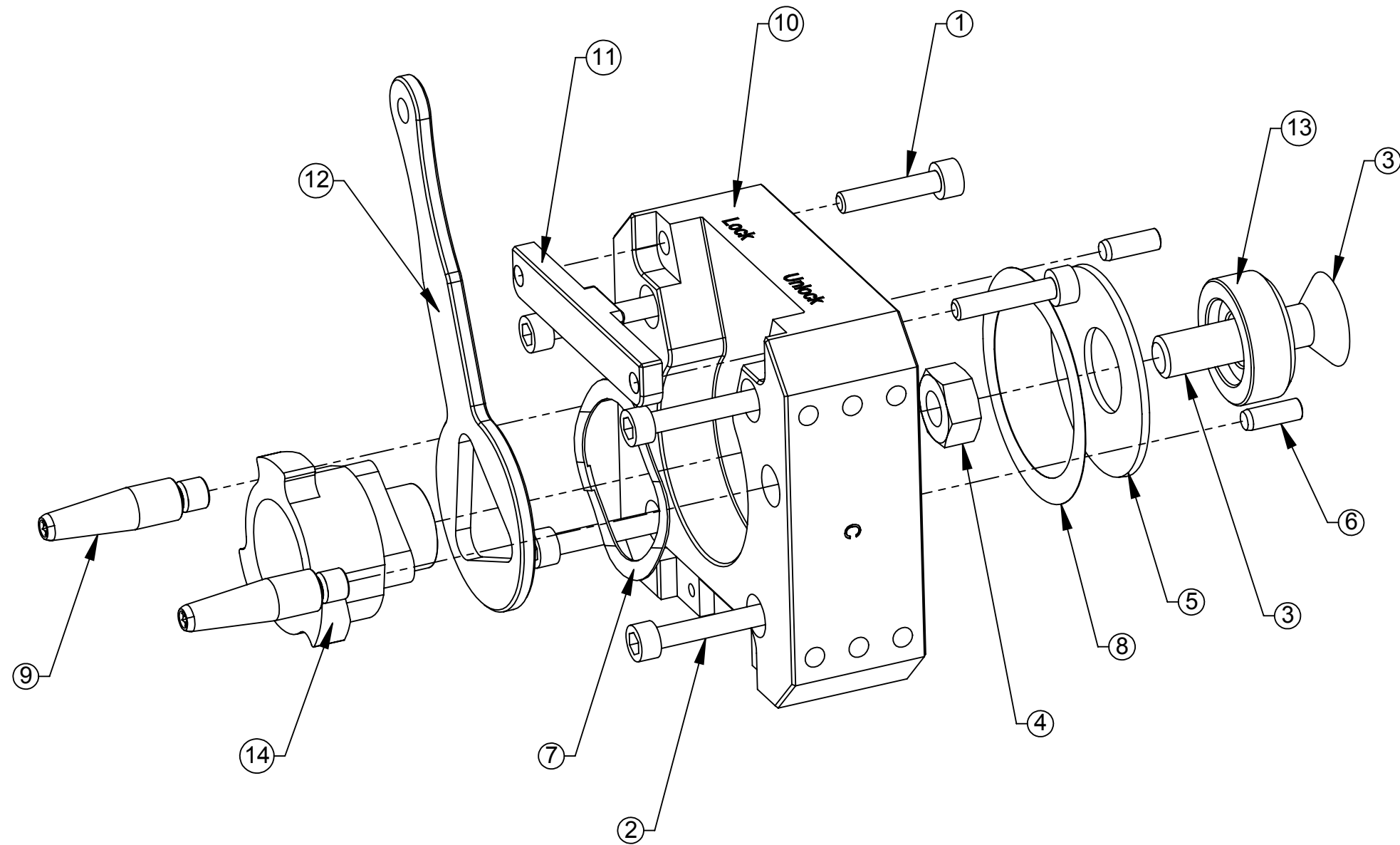


1031 Goodworth Drive, Apex, NC 27539, USA  
 Tel: +1.919.772.0115 Email: info@ati-ia.com  
 Fax: +1.919.772.8259 www.ati-ia.com  
 ISO 9001 Registered Company

PROPERTY OF ATI INDUSTRIAL AUTOMATION, INC. NOT TO BE REPRODUCED IN ANY MANNER EXCEPT ON ORDER OR WITH PRIOR WRITTEN AUTHORIZATION OF ATI.

DRAWN BY: M. Perrault, 7/3/12		TITLE MC-6 Manual Coupler Drawing		
CHECKED BY: DN, 7/5/12		SCALE 1:2	SIZE B	DRAWING NUMBER 9630-20-MC006
PROJECT # -	SHEET 1 OF 3			REVISION 03

# Master Side Assembly



**Iso View**

NOTES: UNLESS OTHERWISE SPECIFIED.

DO NOT SCALE DRAWING. ALL DIMENSIONS ARE IN MILLIMETERS.



3rd ANGLE PROJECTION

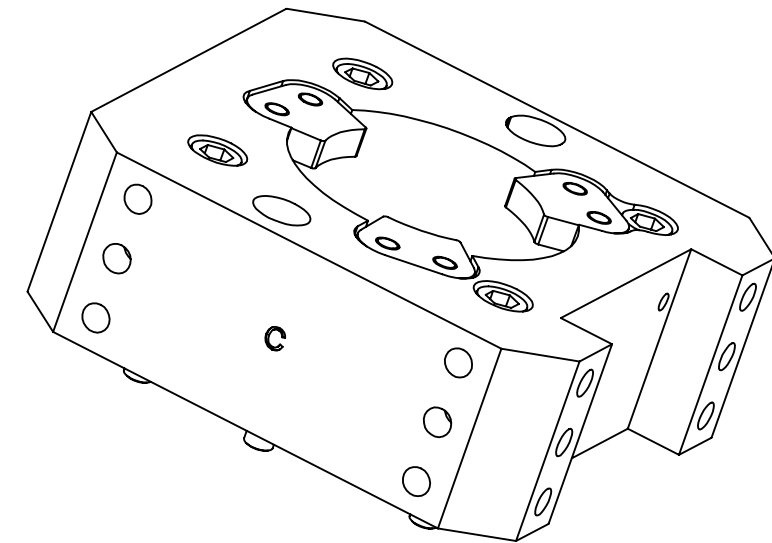
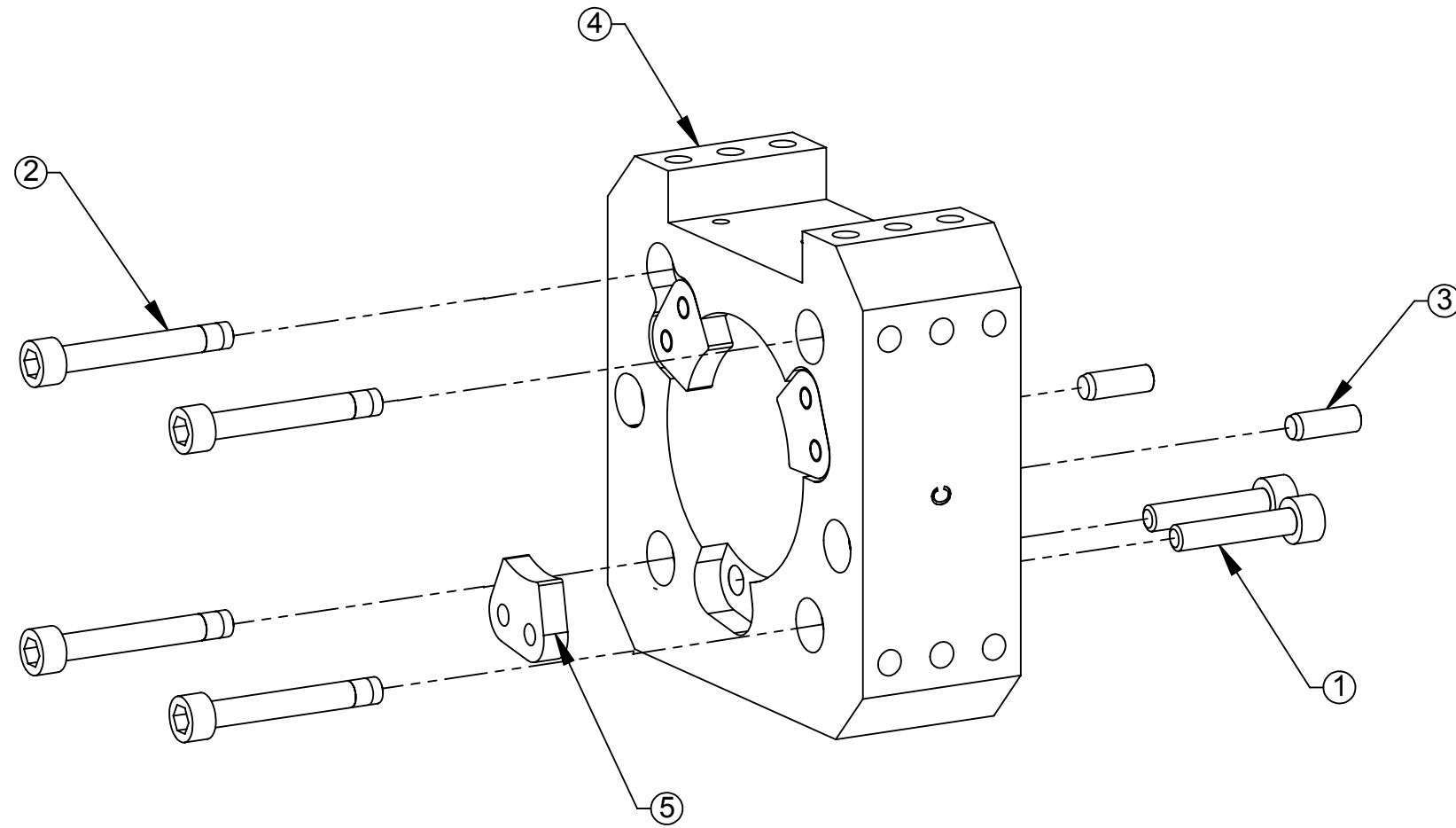


1031 Goodworth Drive, Apex, NC 27539, USA  
 Tel: +1.919.772.0115 Email: info@ati-ia.com  
 Fax: +1.919.772.8259 www.ati-ia.com  
 ISO 9001 Registered Company

PROPERTY OF ATI INDUSTRIAL AUTOMATION, INC. NOT TO BE REPRODUCED IN ANY MANNER EXCEPT ON ORDER OR WITH PRIOR WRITTEN AUTHORIZATION OF ATI.

DRAWN BY: M. Perrault, 7/3/12		TITLE		
CHECKED BY: DN, 7/5/12		MC-6 Manual Coupler Drawing		
PROJECT # -	SHEET 2 OF 3	SCALE	SIZE	DRAWING NUMBER
		1:1	B	9630-20-MC006
				REVISION
				03

**Tool Side Assembly**



**Iso View**

NOTES: UNLESS OTHERWISE SPECIFIED.

DO NOT SCALE DRAWING. ALL DIMENSIONS ARE IN MILLIMETERS.



3rd ANGLE PROJECTION



1031 Goodworth Drive, Apex, NC 27539, USA  
 Tel: +1.919.772.0115 Email: info@ati-ia.com  
 Fax: +1.919.772.8259 www.ati-ia.com  
 ISO 9001 Registered Company

PROPERTY OF ATI INDUSTRIAL AUTOMATION, INC. NOT TO BE REPRODUCED IN ANY MANNER EXCEPT ON ORDER OR WITH PRIOR WRITTEN AUTHORIZATION OF ATI.

DRAWN BY: M. Perrault, 7/3/12		TITLE		
CHECKED BY: DN, 7/5/12		MC-6 Manual Coupler Drawing		
PROJECT # -	SHEET 3 OF 3	SCALE	SIZE	DRAWING NUMBER
		1:1	B	9630-20-MC006
				REVISION
				03