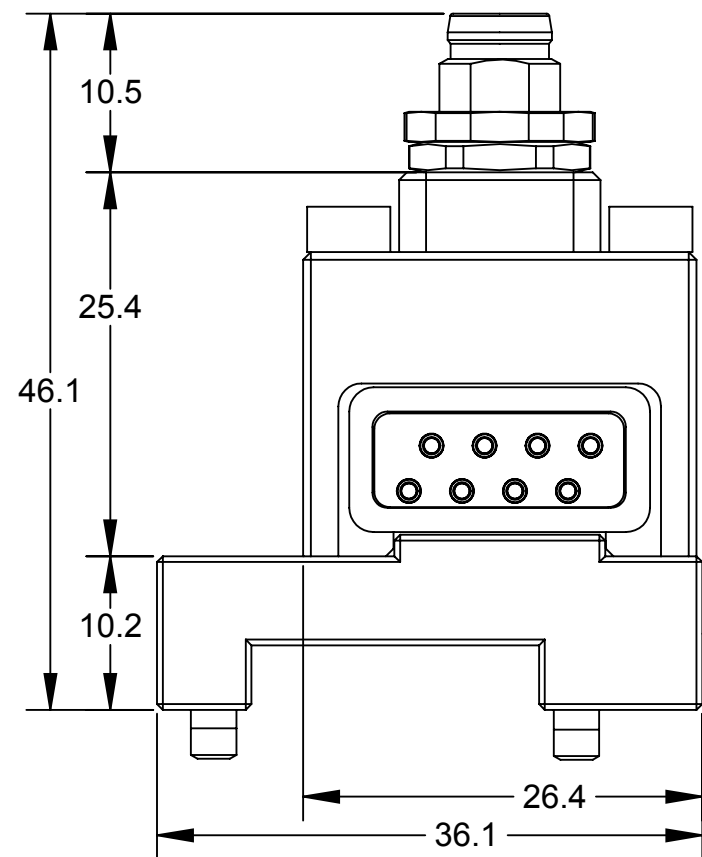
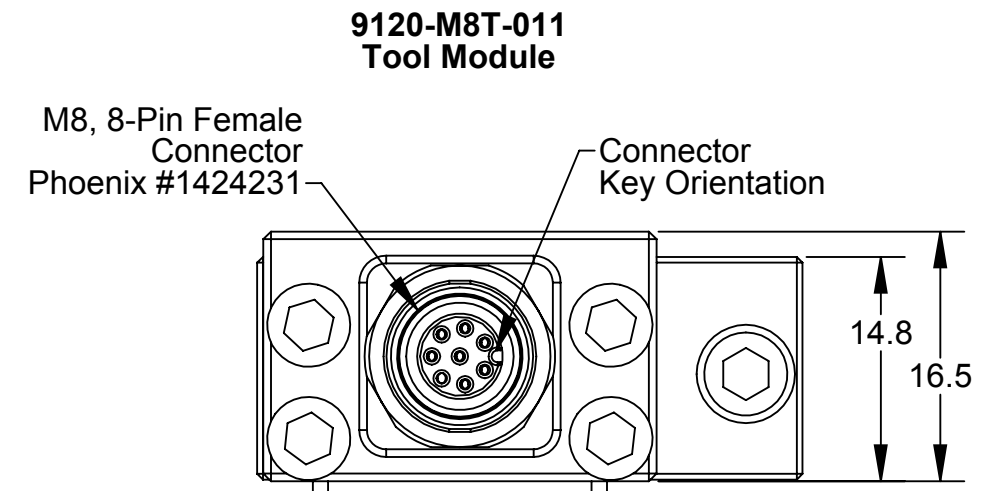
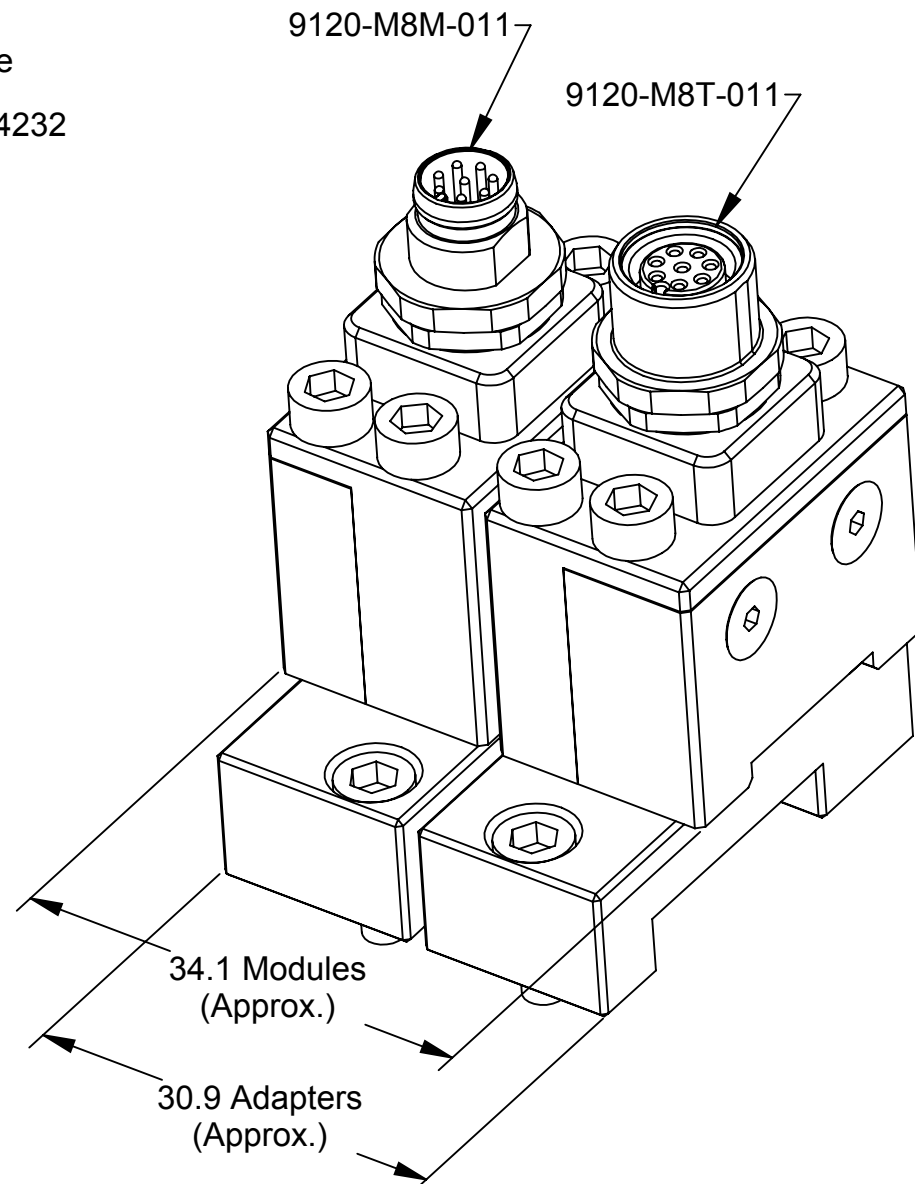
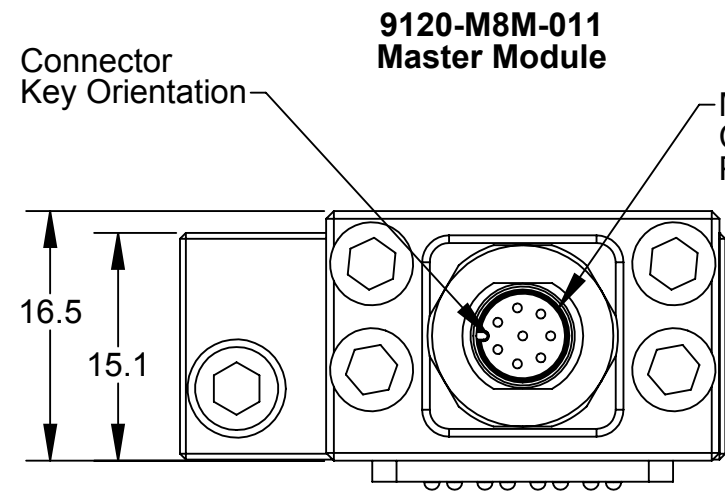
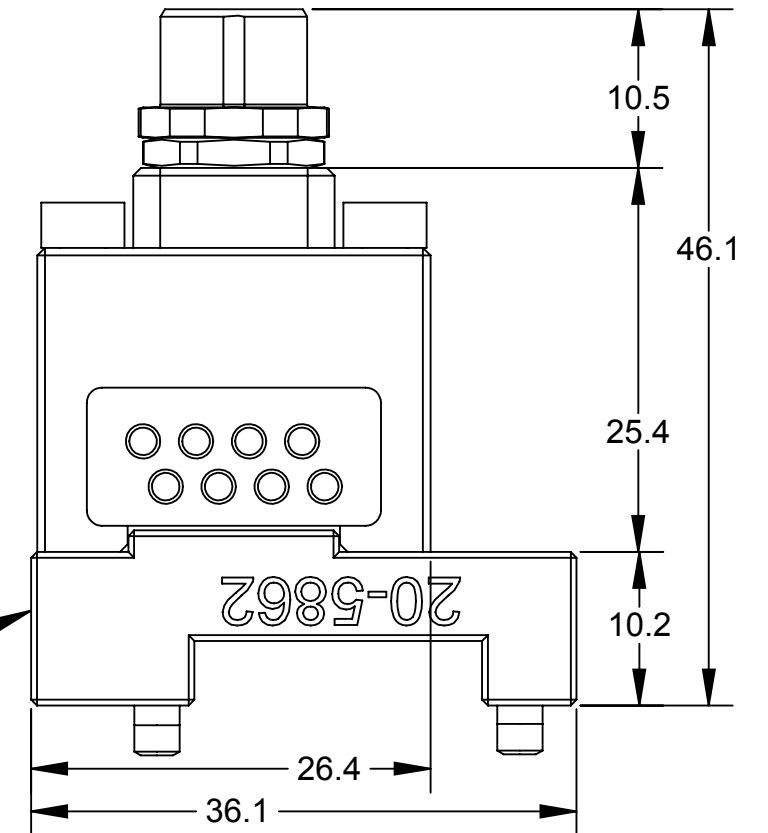


Rev.	Description	Initiator	Date
01P	Initial release	PDL	1/30/2015
02	Production release	PDL	9/29/2015



QC-11 Adapter Plate
Master Side
3700-20-5861

QC-11 Adapter Plate
Tool Side
3700-20-5862



- Notes:
1. Customer approval of electrical schematic is required.
 2. See Sheet 3 for module wiring schematic.
 3. See Sheet 2 for Customer Interface information.
 4. Module Rating: 1.5 Amps / 30V max.

NOTES: UNLESS OTHERWISE SPECIFIED.

DO NOT SCALE DRAWING. ALL DIMENSIONS ARE IN MILLIMETERS.



3rd ANGLE PROJECTION



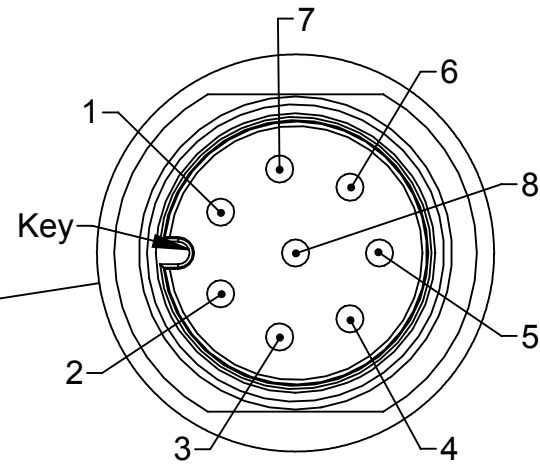
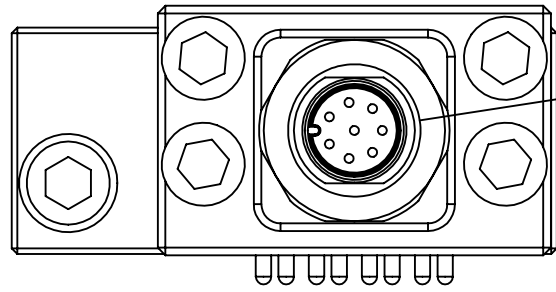
1031 Goodworth Drive, Apex, NC 27539, USA
Tel: +1.919.772.0115 Email: info@ati-ia.com
Fax: +1.919.772.8259 www.ati-ia.com
ISO 9001 Registered Company

PROPERTY OF ATI INDUSTRIAL AUTOMATION, INC. NOT TO BE REPRODUCED IN ANY MANNER EXCEPT ON ORDER OR WITH PRIOR WRITTEN AUTHORIZATION OF ATI.

DRAWN BY: P.Luczka, 1/30/15		TITLE	
CHECKED BY: A.Takla, 2/5/15 F.Alonso, 2/5/15		M8 Electrical Module, QC011, Customer Drawing	
PROJECT # 141204-2	SHEET 1 OF 3	SCALE 2:1	SIZE B
DRAWING NUMBER 9630-20-M8-011		REVISION 02	

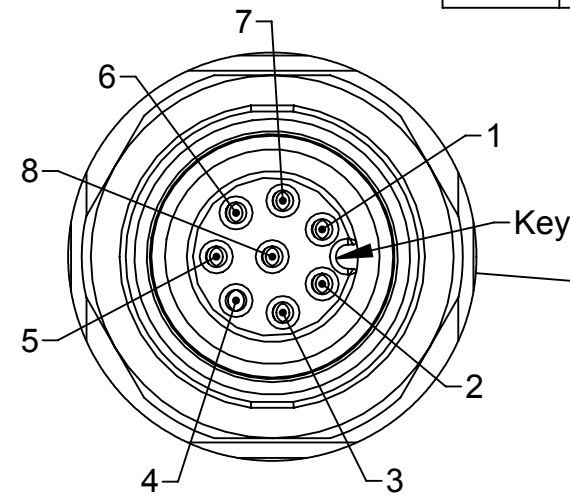
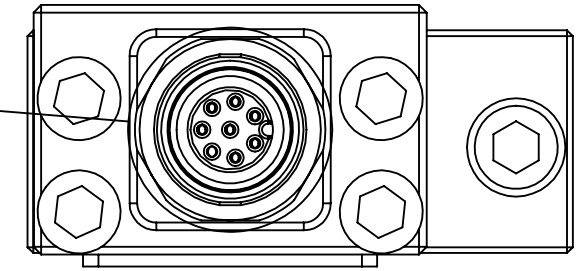
Rev.	Description	Initiator	Date
-	See Sheet1	-	-

**9120-M8M-011
Master Module**

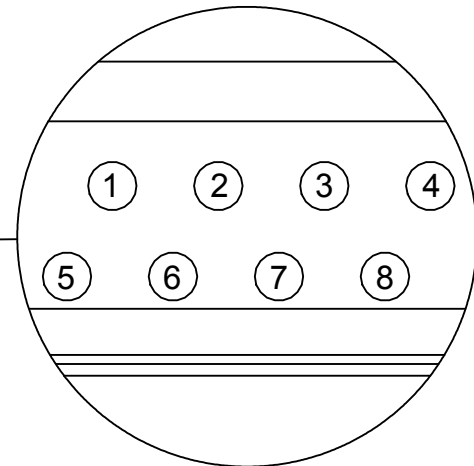
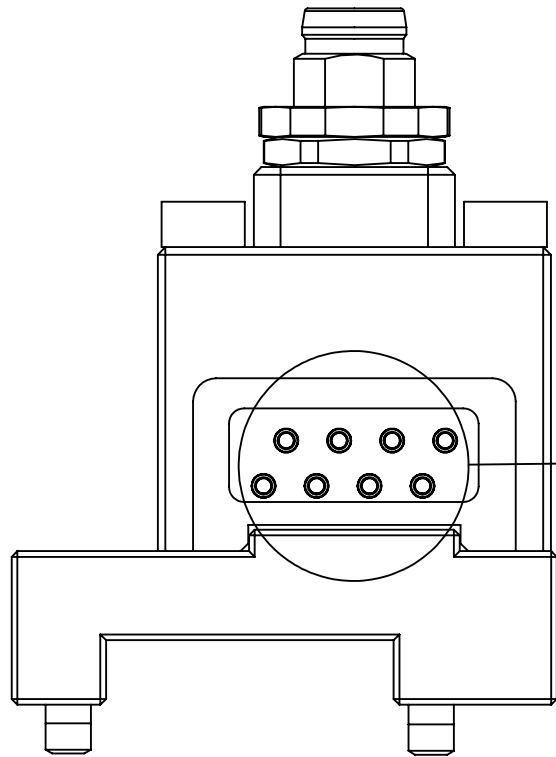


DETAIL A
SCALE 6 : 1

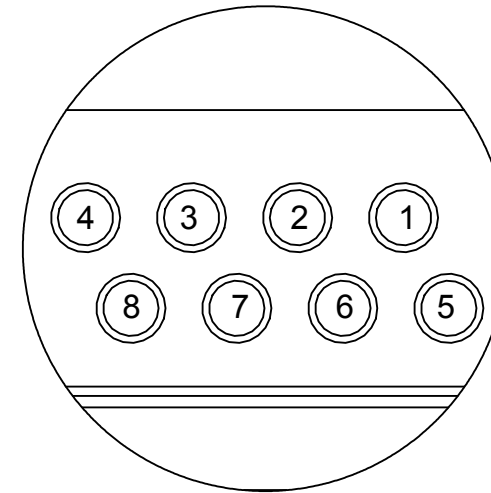
**9120-M8T-011
Tool Module**



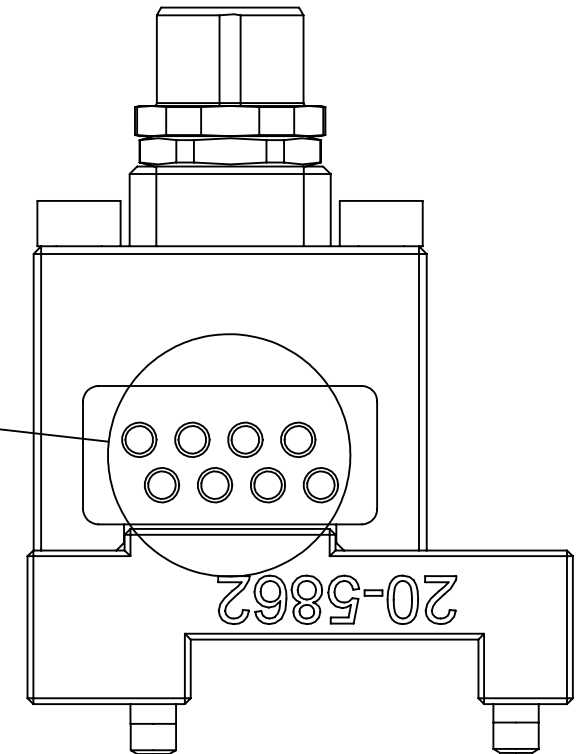
DETAIL B
SCALE 4 : 1



DETAIL C
SCALE 4 : 1



DETAIL D
SCALE 4 : 1



NOTES: UNLESS OTHERWISE SPECIFIED.

DO NOT SCALE DRAWING.
ALL DIMENSIONS ARE IN MILLIMETERS.



3rd ANGLE PROJECTION



1031 Goodworth Drive, Apex, NC 27539, USA
Tel: +1.919.772.0115 Email: info@ati-ia.com
Fax: +1.919.772.8259 www.ati-ia.com
ISO 9001 Registered Company

PROPERTY OF ATI INDUSTRIAL AUTOMATION, INC. NOT TO BE REPRODUCED IN ANY MANNER EXCEPT ON ORDER OR WITH PRIOR WRITTEN AUTHORIZATION OF ATI.

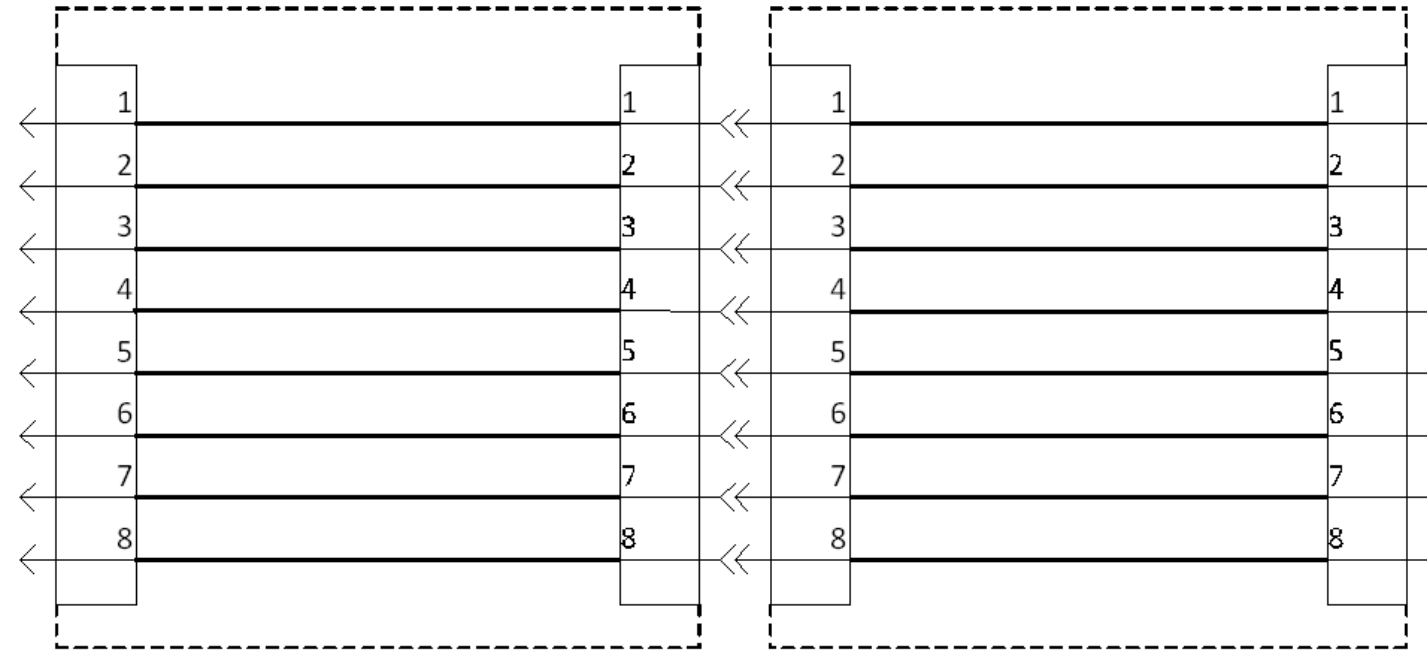
DRAWN BY: P.Luczka, 1/30/15		TITLE	
CHECKED BY: A.Takla, 2/5/15 F.Alonso, 2/5/15		M8 Electrical Module, QC011, Customer Drawing	
PROJECT # 141204-2 SHEET 2 OF 3	SCALE 2:1	SIZE B	DRAWING NUMBER 9630-20-M8-011
			REVISION 02

Rev.	Description	Initiator	Date
-	See Sheet1	-	-

9120-M8M-011

9120-M8T-011

M8, 8-Pin Male
Connector
Phoenix
#1424232



M8, 8-Pin
Female
Connector
Phoenix
#1424231

NOTES: UNLESS OTHERWISE SPECIFIED.

DO NOT SCALE DRAWING.
ALL DIMENSIONS ARE IN
MILLIMETERS.



3rd ANGLE PROJECTION



1031 Goodworth Drive, Apex, NC 27539, USA
Tel: +1.919.772.0115 Email: info@ati-ia.com
Fax: +1.919.772.8259 www.ati-ia.com
ISO 9001 Registered Company

PROPERTY OF ATI INDUSTRIAL AUTOMATION, INC. NOT TO BE REPRODUCED IN ANY MANNER EXCEPT ON ORDER OR WITH PRIOR WRITTEN AUTHORIZATION OF ATI.

DRAWN BY: P.Luczka, 1/30/15		TITLE	
CHECKED BY: A.Takla, 2/5/15 F.Alonso, 2/5/15		M8 Electrical Module, QC011, Customer Drawing	
PROJECT #	141204-2	SHEET	3 OF 3
SCALE	2:1	SIZE	B
DRAWING NUMBER	9630-20-M8-011		REVISION
			02