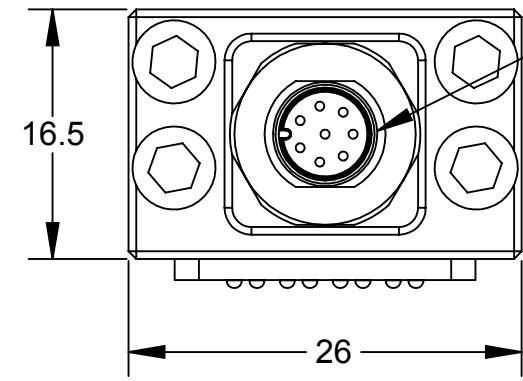


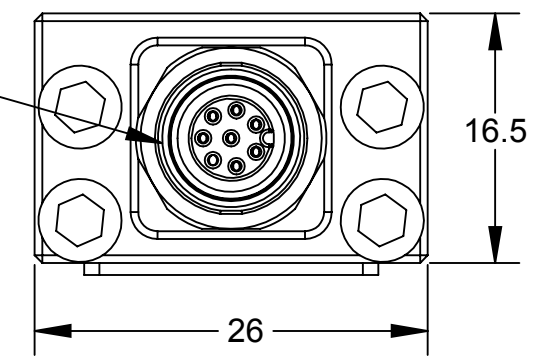
Rev.	Description	Initiator	Date
01P	Initial release	PDL	1/15/2015
02	Production Release	PDL	9/29/2015

**9120-M8M-005  
Master Module**

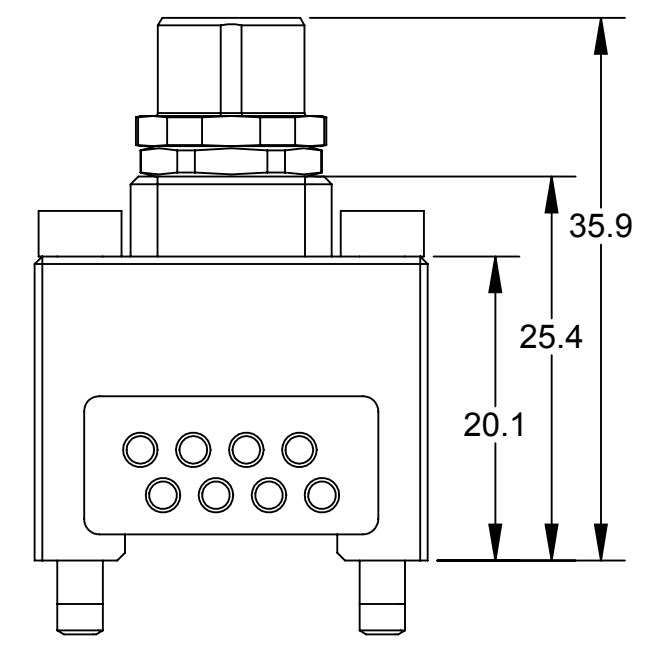
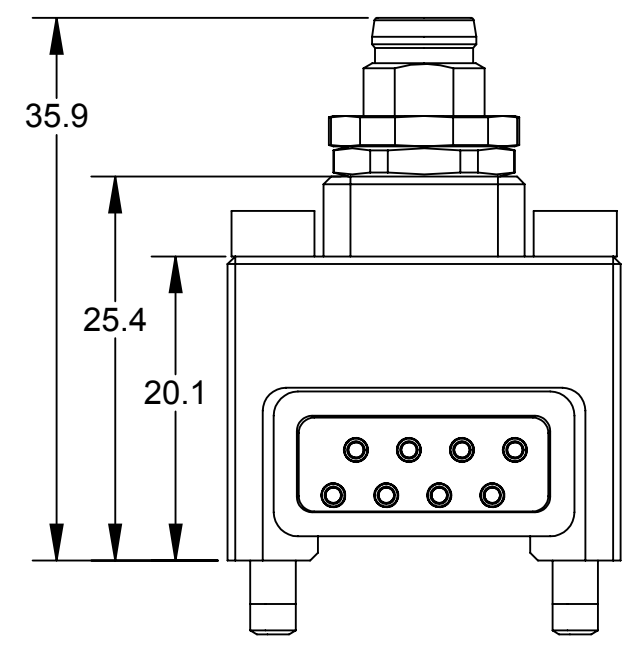
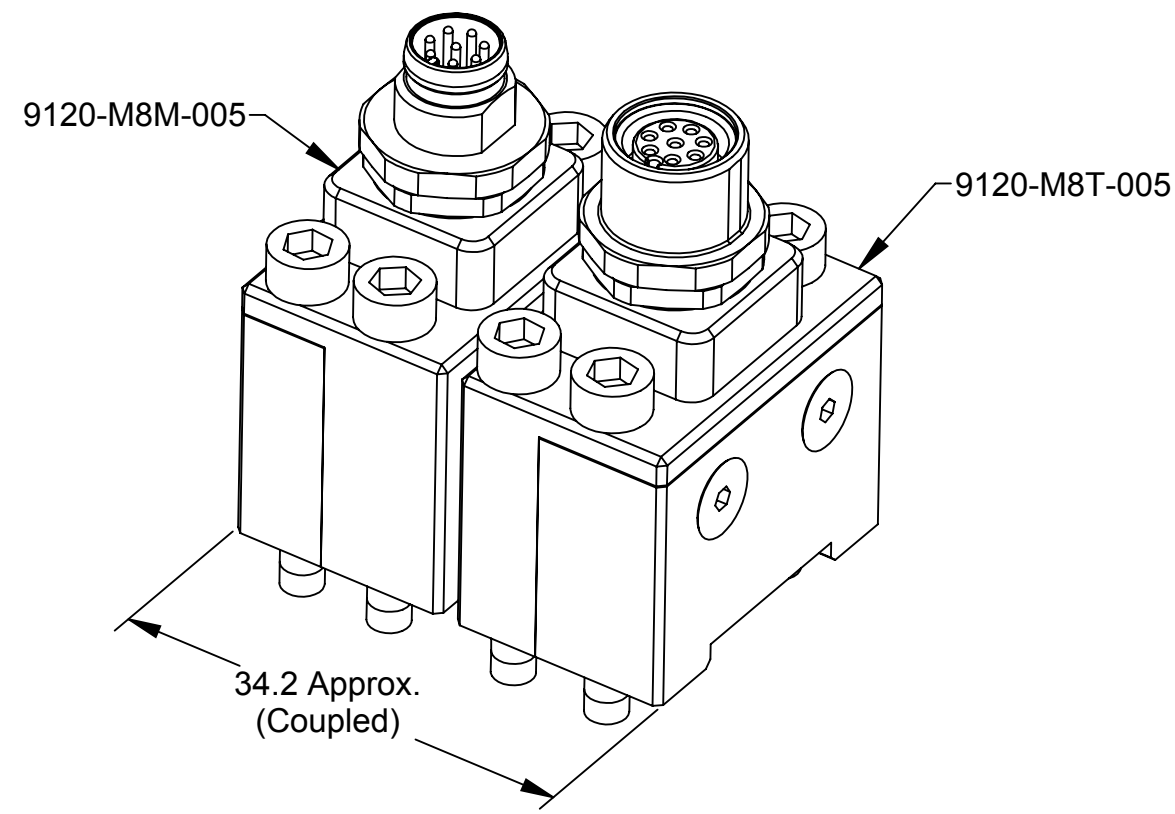


M8, 8-Pin Male Connector  
Phoenix #1424232

**9120-M8T-005  
Tool Module**



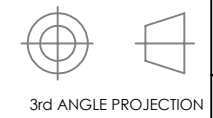
M8, 8-Pin Female Connector  
Phoenix #1424231



- Notes:**
1. Customer approval of electrical schematic is required.
  2. See Sheet 3 for module wiring schematic.
  3. See Sheet 2 for Customer Interface information.
  4. Module Rating: 1.5 Amps / 30V max.

NOTES: UNLESS OTHERWISE SPECIFIED.

DO NOT SCALE DRAWING. ALL DIMENSIONS ARE IN MILLIMETERS.



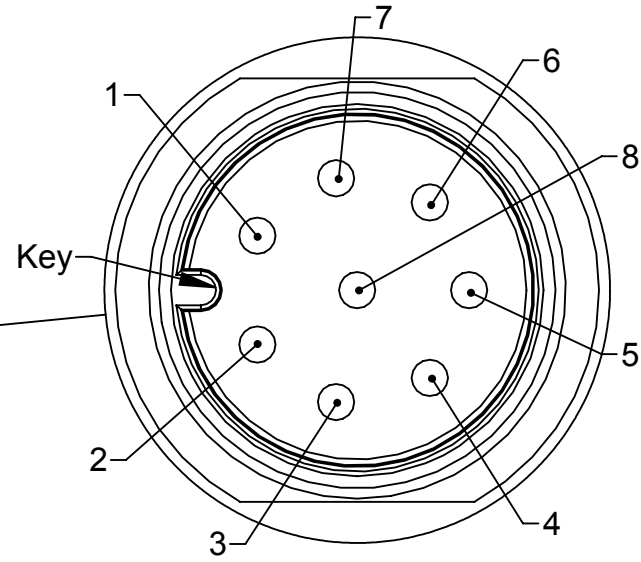
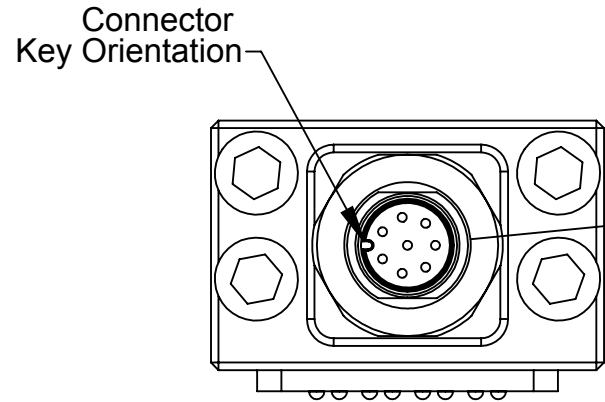
1031 Goodworth Drive, Apex, NC 27539, USA  
 Tel: +1.919.772.0115 Email: info@ati-ia.com  
 Fax: +1.919.772.8259 www.ati-ia.com  
 ISO 9001 Registered Company

PROPERTY OF ATI INDUSTRIAL AUTOMATION, INC. NOT TO BE REPRODUCED IN ANY MANNER EXCEPT ON ORDER OR WITH PRIOR WRITTEN AUTHORIZATION OF ATI.

DRAWN BY: P.Luczka, 1/15/15		TITLE	
CHECKED BY: A.Takla, 1/26/15 F.Alonso, 1/27/15		M8 Electrical Module, QC-5, Customer Drawing	
PROJECT #	141204-2	SHEET	1 OF 3
SCALE	2:1	SIZE	B
DRAWING NUMBER	9630-20-M8-005	REVISION	02

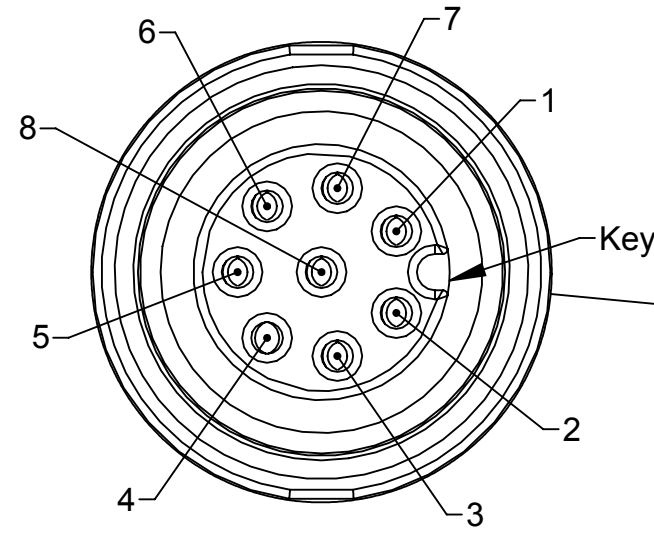
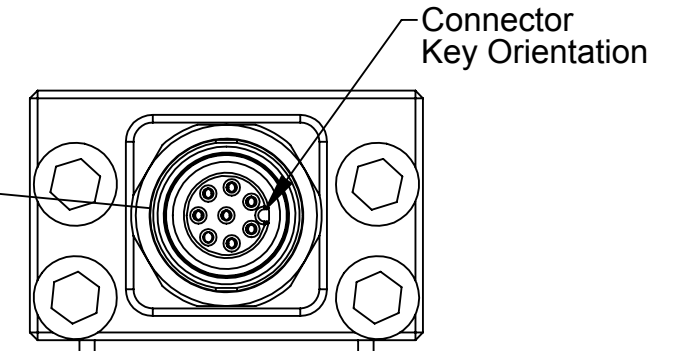
Rev.	Description	Initiator	Date
-	See Sheet1	-	-

**9120-M8M-005  
Master Module**

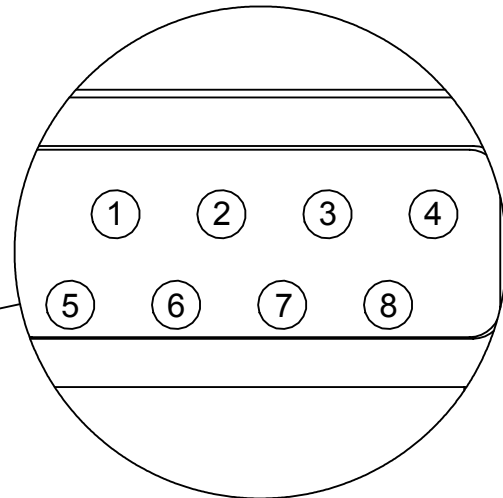
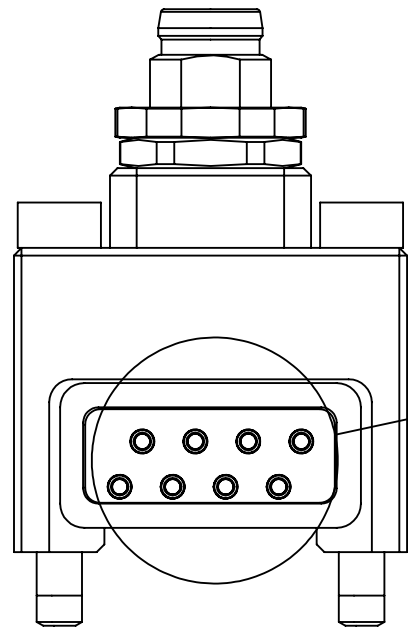


DETAIL A  
SCALE 8 : 1

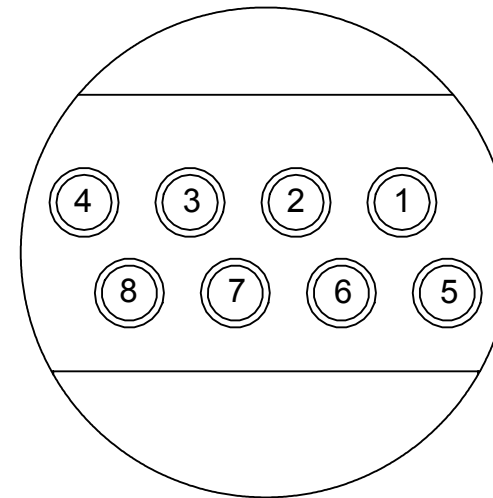
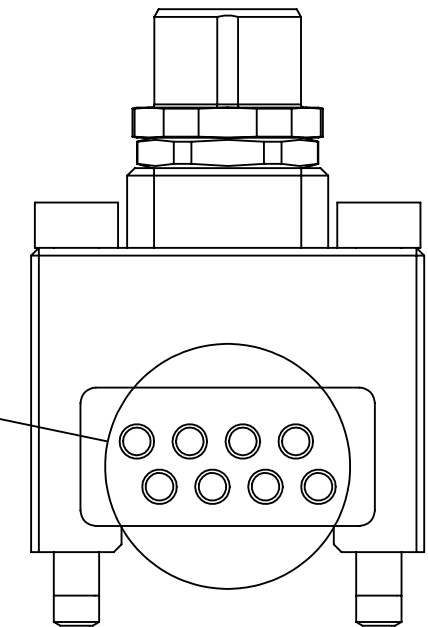
**9120-M8T-005  
Tool Module**



DETAIL C  
SCALE 6 : 1



DETAIL B  
SCALE 4 : 1



DETAIL D  
SCALE 4 : 1

NOTES: UNLESS OTHERWISE SPECIFIED.

DO NOT SCALE DRAWING. ALL DIMENSIONS ARE IN MILLIMETERS.



3rd ANGLE PROJECTION



1031 Goodworth Drive, Apex, NC 27539, USA  
 Tel: +1.919.772.0115 Email: info@ati-ia.com  
 Fax: +1.919.772.8259 www.ati-ia.com  
 ISO 9001 Registered Company

PROPERTY OF ATI INDUSTRIAL AUTOMATION, INC. NOT TO BE REPRODUCED IN ANY MANNER EXCEPT ON ORDER OR WITH PRIOR WRITTEN AUTHORIZATION OF ATI.

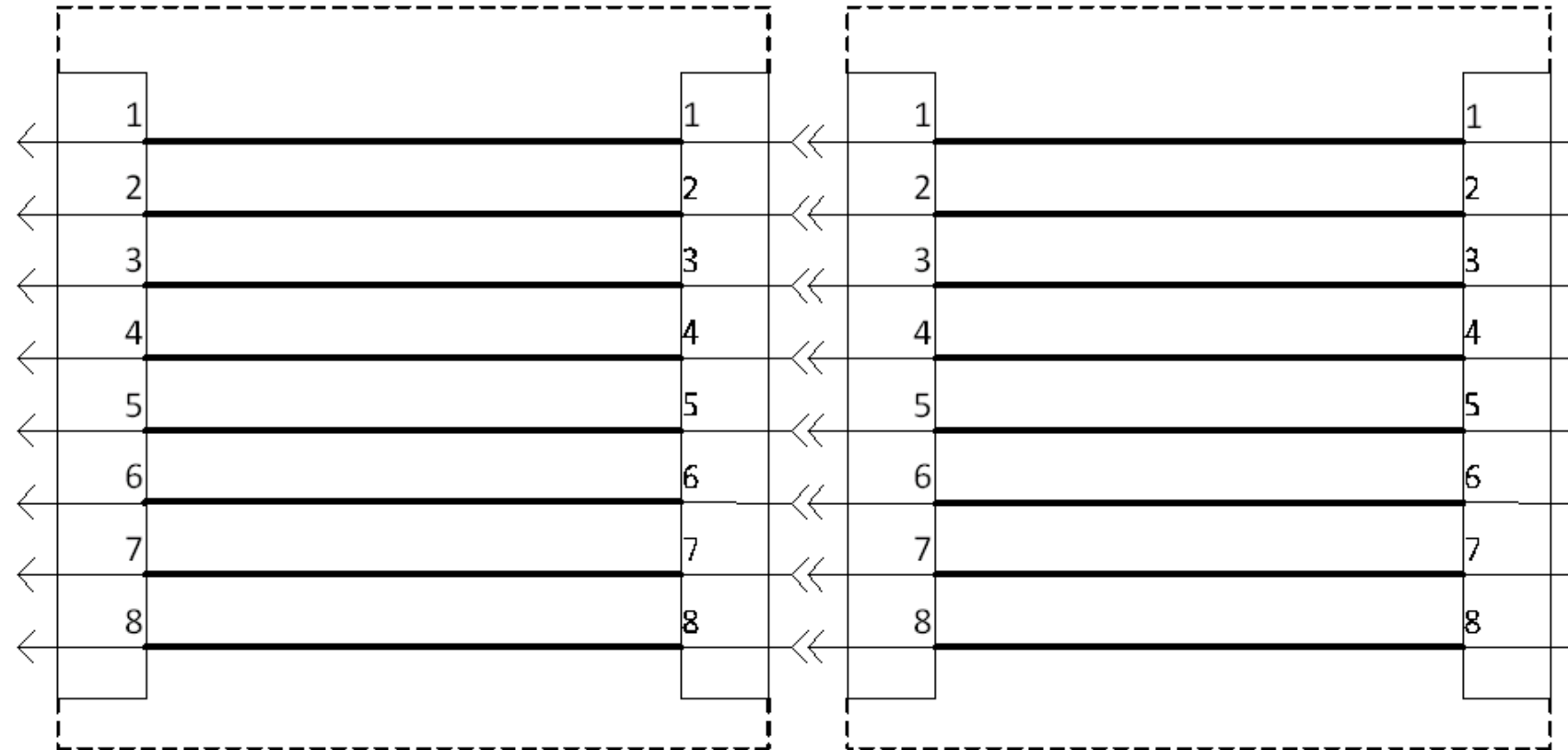
DRAWN BY: P.Luczka, 1/15/15		TITLE	
CHECKED BY: A.Takla, 1/26/15 F.Alonso, 1/27/15		M8 Electrical Module, QC-5, Customer Drawing	
PROJECT # 141204-2 SHEET 2 OF 3	SCALE 2:1	SIZE B	DRAWING NUMBER 9630-20-M8-005
			REVISION 02

Rev.	Description	Initiator	Date
-	See Sheet1	-	-

9120-M8M-005

9120-M8T-005

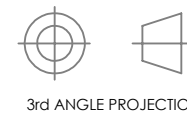
M8, 8-Pin Male  
Connector  
Phoenix  
#1424232



M8, 8-Pin  
Female  
Connector  
Phoenix  
#1424231

NOTES: UNLESS OTHERWISE SPECIFIED.

DO NOT SCALE DRAWING.  
ALL DIMENSIONS ARE IN  
MILLIMETERS.



1031 Goodworth Drive, Apex, NC 27539, USA  
Tel: +1.919.772.0115 Email: info@ati-ia.com  
Fax: +1.919.772.8259 www.ati-ia.com  
ISO 9001 Registered Company

PROPERTY OF ATI INDUSTRIAL AUTOMATION, INC. NOT TO BE REPRODUCED IN ANY MANNER EXCEPT ON ORDER OR WITH PRIOR WRITTEN AUTHORIZATION OF ATI.

DRAWN BY: P.Luczka, 1/15/15

CHECKED BY: A.Takla, 1/26/15  
F.Alonso, 1/27/15

PROJECT # 141204-2 SHEET 3 OF 3

TITLE  
M8 Electrical Module, QC-5, Customer Drawing

SCALE  
2:1

SIZE  
B

DRAWING NUMBER  
9630-20-M8-005

REVISION  
02