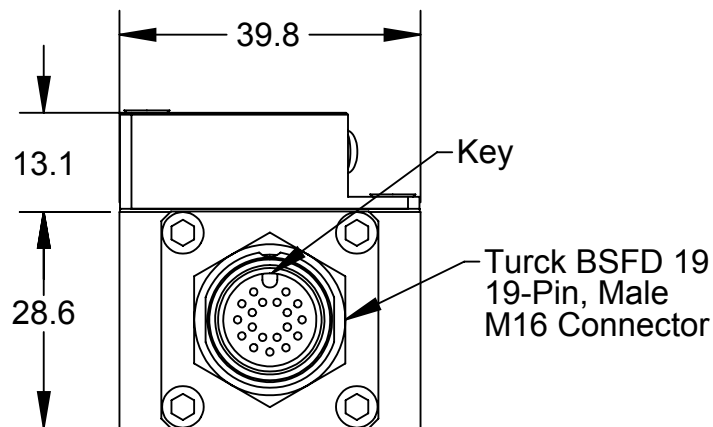
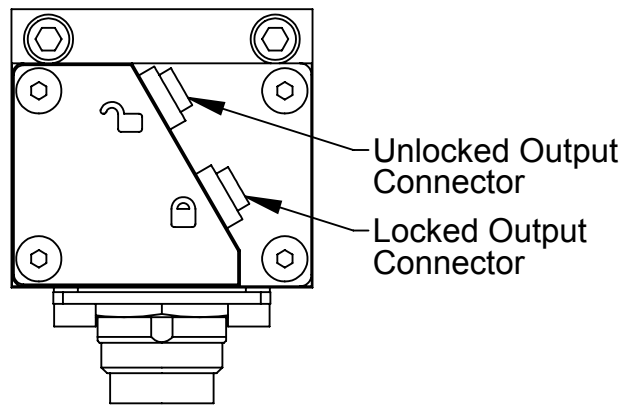


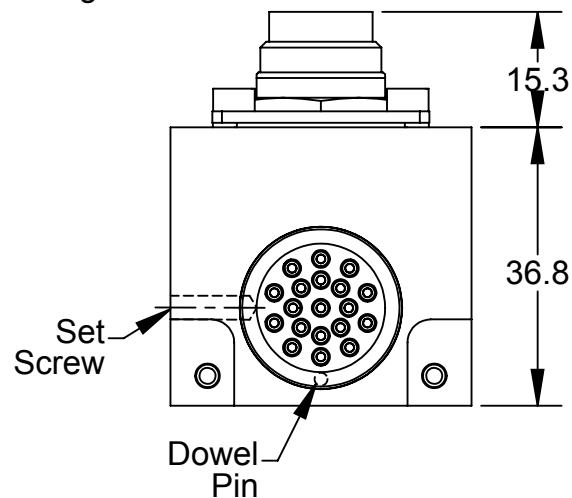
"DANGER! - For electrical modules using > 60VDC or 42 VAC, NO contact should be attempted before removing power. This especially includes separation or insertion of the mating connectors or any contact with the tool changer or its components."

Rev.	Description	Initiator	Date
01	Initial release	PDL	7/5/2013

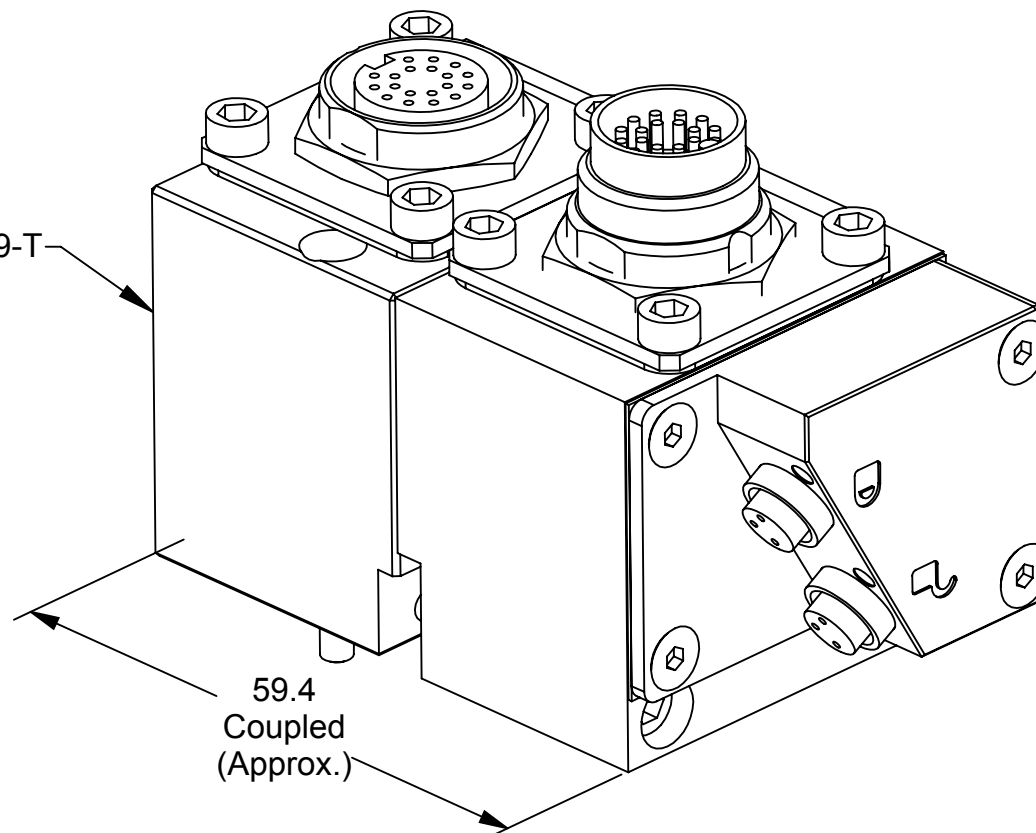
9120-KF19P-M



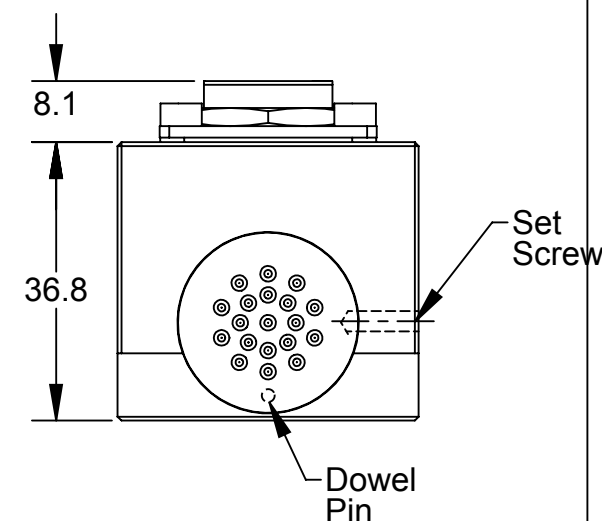
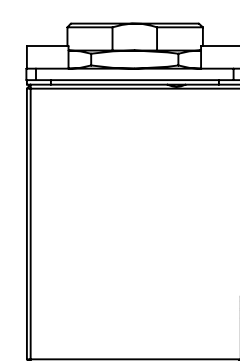
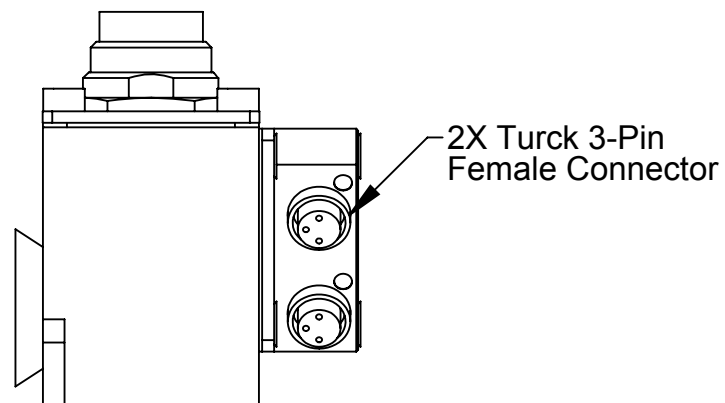
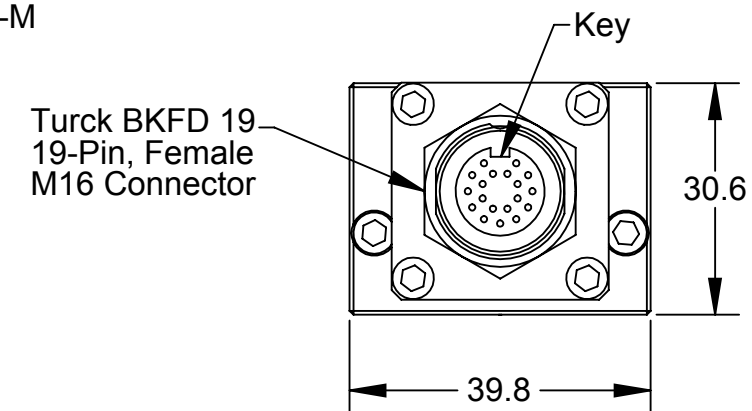
Serviceable Part
4010-0000017-01
V-Ring



9120-KF19-T



9120-KF19-T

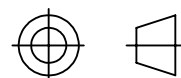


Notes:

1. Module Electrical rating: 3 AMPS / 50 VDC
2. Customer approval of electrical schematic is required.
3. Customer is to approve connector selection and orientation.
4. See sheet 2 for module wiring schematic.
5. See Sheet 3 for Customer Interface information.

NOTES: UNLESS OTHERWISE SPECIFIED.

DO NOT SCALE DRAWING. ALL DIMENSIONS ARE IN MILLIMETERS.



3rd ANGLE PROJECTION

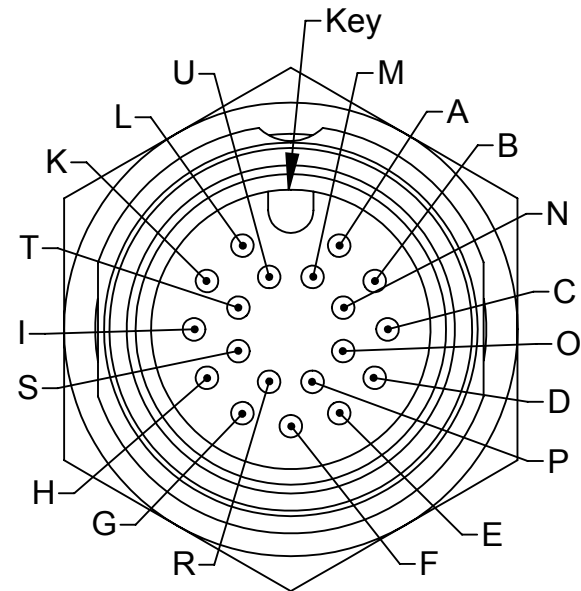


1031 Goodworth Drive, Apex, NC 27539, USA
Tel: +1.919.772.0115 Email: info@ati-ia.com
Fax: +1.919.772.8259 www.ati-ia.com
ISO 9001 Registered Company

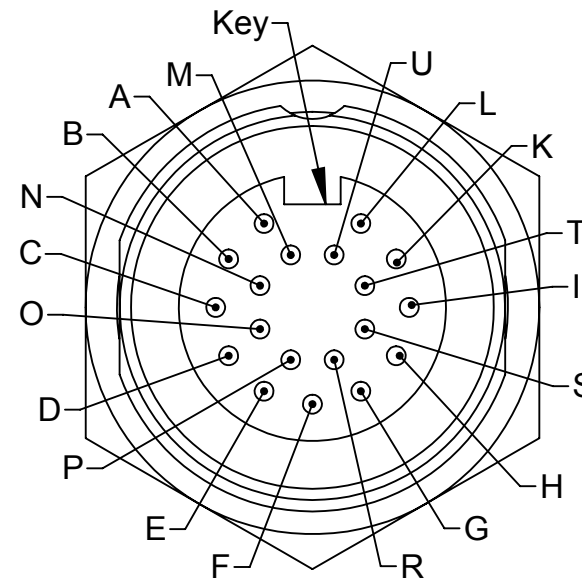
PROPERTY OF ATI INDUSTRIAL AUTOMATION, INC. NOT TO BE REPRODUCED IN ANY MANNER EXCEPT ON ORDER OR WITH PRIOR WRITTEN AUTHORIZATION OF ATI.

DRAWN BY: P.Luczka, 7/5/13		TITLE	
CHECKED BY: W.Berrocal, 7/9/13 B.Henderson, 7/9/13		KF19P-M / KF19-T Electrical Module Drawing	
PROJECT # -	SHEET 1 OF 3	SCALE	SIZE
		3:2	B
DRAWING NUMBER		REVISION	
9630-20-KF19PM KF19T		01	

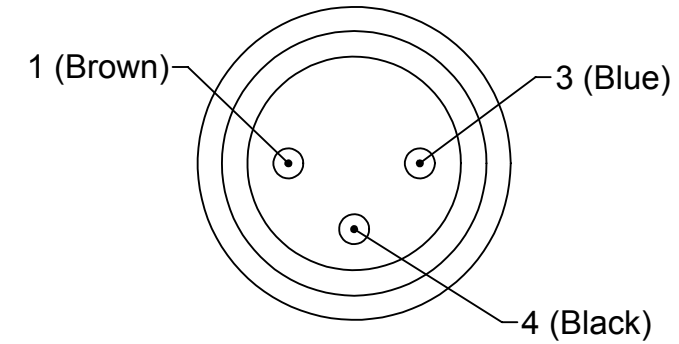
Rev.	Description	Initiator	Date
-	See Sheet1	-	-



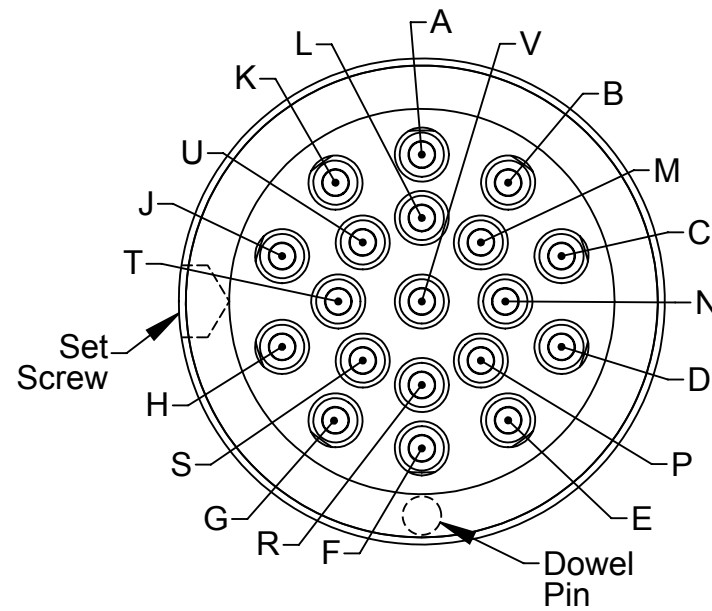
Turck BSFD 19
19-Pin, Male Connector
Face View
Scale 3:1



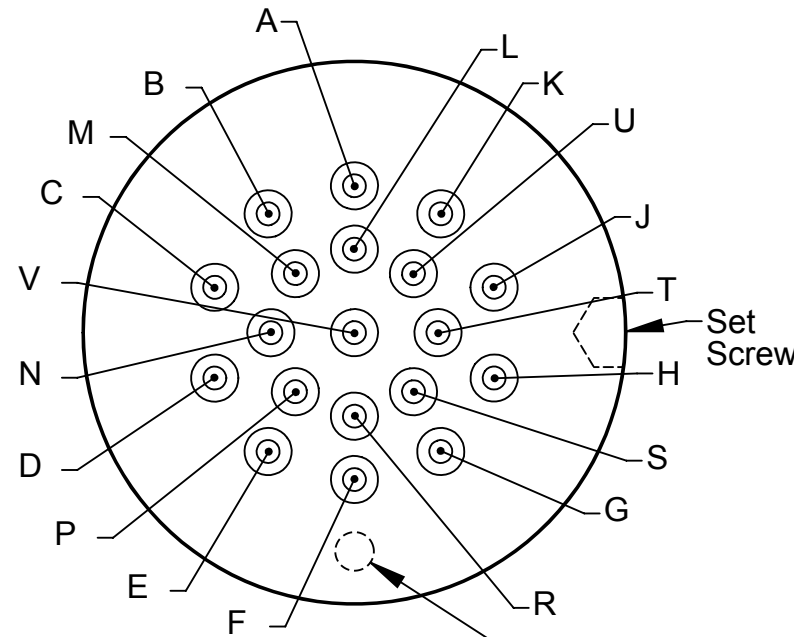
Turck BKFD 19
19-Pin, Female Connector
Face View
Scale 3:1



Turck MFK-3
3-Pin Pico Female
Connector
Face View
Scale 3:1



ATI 19-Pin Block
Master Module
Face View
Scale 3:1



ATI 19-Pin Block
Tool Module
Face View
Scale 3:1

NOTES: UNLESS OTHERWISE SPECIFIED.

DO NOT SCALE DRAWING. ALL DIMENSIONS ARE IN MILLIMETERS.



3rd ANGLE PROJECTION



1031 Goodworth Drive, Apex, NC 27539, USA
Tel: +1.919.772.0115 Email: info@ati-ia.com
Fax: +1.919.772.8259 www.ati-ia.com
ISO 9001 Registered Company

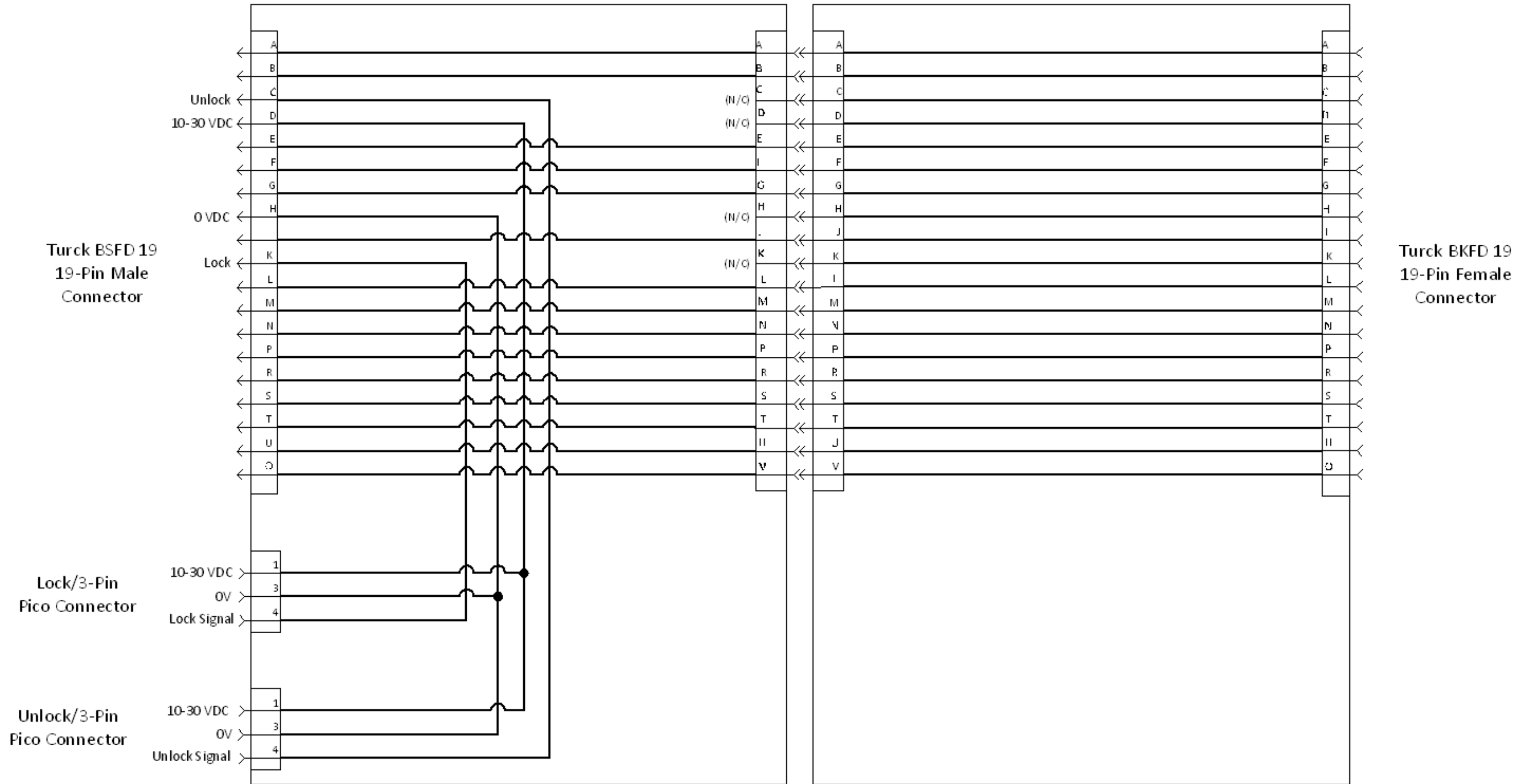
PROPERTY OF ATI INDUSTRIAL AUTOMATION, INC. NOT TO BE REPRODUCED IN ANY MANNER EXCEPT ON ORDER OR WITH PRIOR WRITTEN AUTHORIZATION OF ATI.

DRAWN BY: P.Luczka, 7/5/13		TITLE	
CHECKED BY: W.Berrocal, 7/9/13 B.Henderson, 7/9/13		KF19P-M / KF19-T Electrical Module Drawing	
PROJECT # -	SHEET 2 OF 3	SCALE 3:1	SIZE B
		DRAWING NUMBER 9630-20-KF19PM KF19T	REVISION 01

Rev.	Description	Initiator	Date
-	See Sheet1	-	-

9120-KF19P-M

9120-KF19-T



Notes:

- Pin "O" on the Turck connector is First-to-mate Last-to-break at the Tool Changer interface. This pin is recommended for use as ground.

NOTES: UNLESS OTHERWISE SPECIFIED.

DO NOT SCALE DRAWING. ALL DIMENSIONS ARE IN MILLIMETERS.



3rd ANGLE PROJECTION



1031 Goodworth Drive, Apex, NC 27539, USA
 Tel: +1.919.772.0115 Email: info@ati-ia.com
 Fax: +1.919.772.8259 www.ati-ia.com
 ISO 9001 Registered Company

PROPERTY OF ATI INDUSTRIAL AUTOMATION, INC. NOT TO BE REPRODUCED IN ANY MANNER EXCEPT ON ORDER OR WITH PRIOR WRITTEN AUTHORIZATION OF ATI.

DRAWN BY: P.Luczka, 7/5/13		TITLE	
CHECKED BY: W.Berrocal, 7/9/13 B.Henderson, 7/9/13		KF19P-M / KF19-T Electrical Module Drawing	
PROJECT # -	SHEET 3 OF 3	SCALE	SIZE
		3:1	B
DRAWING NUMBER		REVISION	
9630-20-KF19PM KF19T		01	