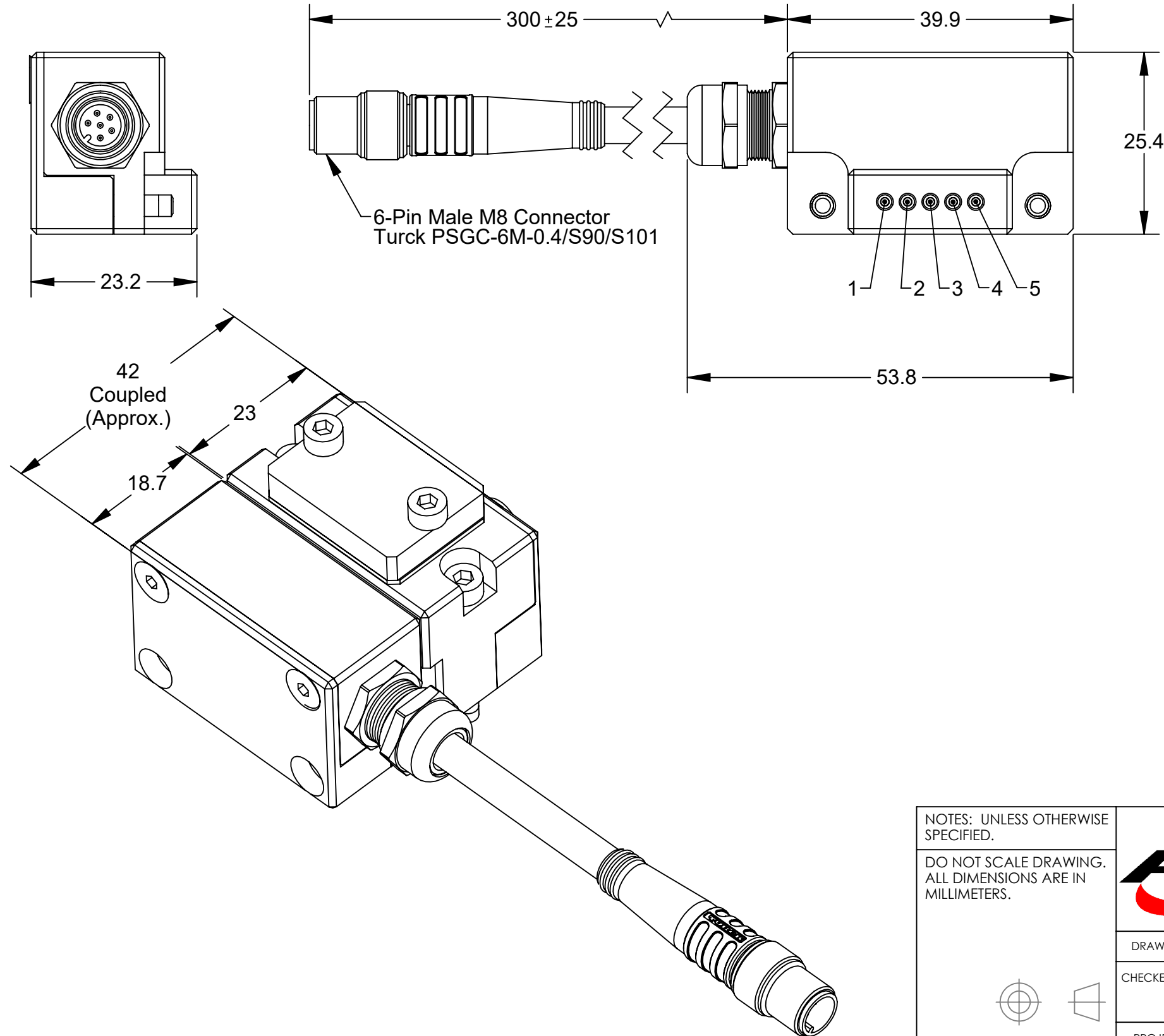


**"DANGER!" - Electrical Shock Hazard**

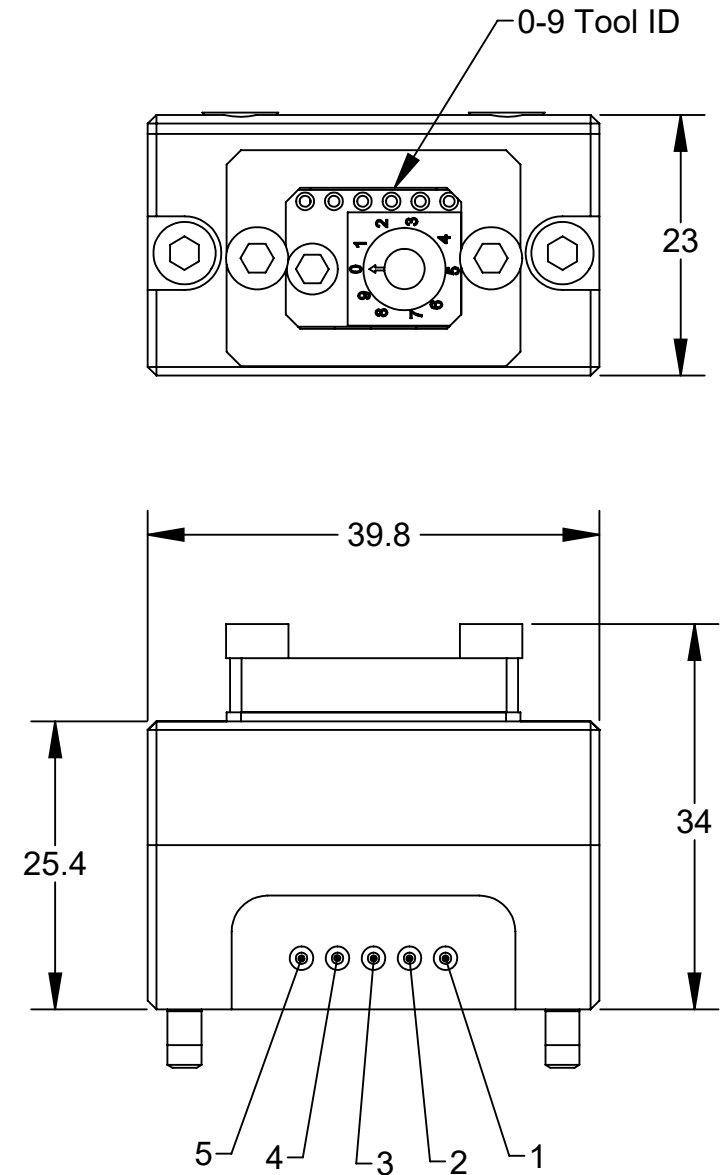
This module has a Voltage of 50V or greater, NO contact should be attempted before removing power. This especially includes separation or insertion of the mating connectors or any contact with the tool changer or its components.

Rev.	Description	Initiator	Date
05	ECO 19474; Fixed broken mates	DS	1/7/2021

**9120-K5-M  
MASTER MODULE**

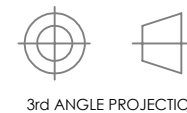


**9120-K0-T  
TOOL MODULE**



NOTES: UNLESS OTHERWISE SPECIFIED.

DO NOT SCALE DRAWING. ALL DIMENSIONS ARE IN MILLIMETERS.



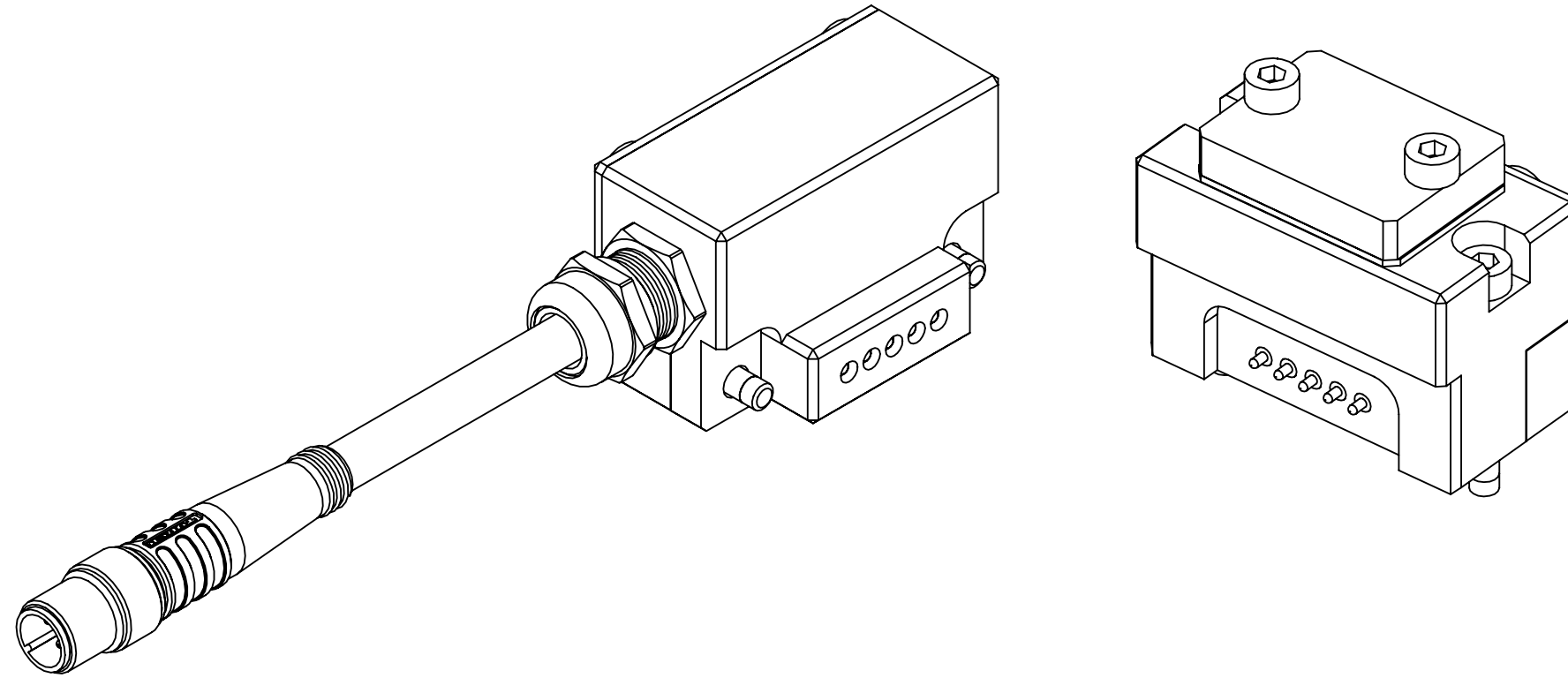
3rd ANGLE PROJECTION



1031 Goodworth Drive, Apex, NC 27539, USA  
 Tel: +1.919.772.0115 Email: info@ati-ia.com  
 Fax: +1.919.772.8259 www.ati-ia.com  
 ISO 9001 Registered Company

PROPERTY OF ATI INDUSTRIAL AUTOMATION, INC. NOT TO BE REPRODUCED IN ANY MANNER EXCEPT ON ORDER OR WITH PRIOR WRITTEN AUTHORIZATION OF ATI.

DRAWN BY: J. Bunting 6/16/14		TITLE	
CHECKED BY: W. Berrocal 7/9/14 M. Hallmark 7/8/14		K5 Low Profile Tool ID Module, Master	
PROJECT # 140610-4 SHEET 1 OF 2	SCALE 3:2	SIZE B	DRAWING NUMBER 9630-20-K5M K0T
			REVISION 05



9120-K5-M

9120-K0-T

6-Pin Male M8 Connector  
Turck PSGC6M-0.4/S90/S101

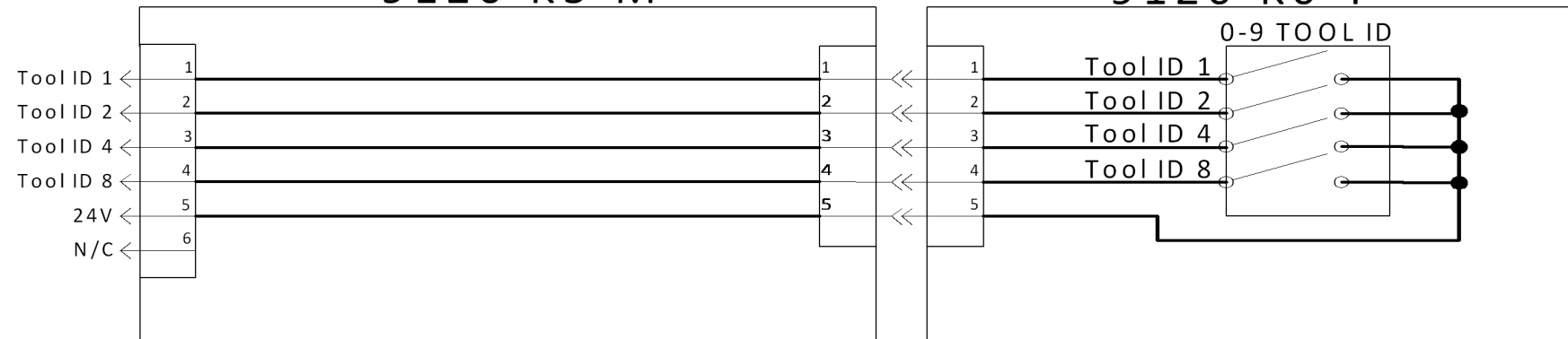


Table 1: Binary Output of Tool ID

Switch Selection	Pin 4	Pin 3	Pin 2	Pin 1
0	0	0	0	0
1	0	0	0	1
2	0	0	1	0
3	0	0	1	1
4	0	1	0	0
5	0	1	0	1
6	0	1	1	0
7	0	1	1	1
8	1	0	0	0
9	1	0	0	1

Notes:

1. Refer to Table 1 for the Tool ID output. A total of 0-9 Tool ID's are available. Use Pin '5' of the 6-Pin Connector (Master Side) as common.

NOTES: UNLESS OTHERWISE SPECIFIED.

DO NOT SCALE DRAWING. ALL DIMENSIONS ARE IN MILLIMETERS.



3rd ANGLE PROJECTION



1031 Goodworth Drive, Apex, NC 27539, USA  
Tel: +1.919.772.0115 Email: info@ati-ia.com  
Fax: +1.919.772.8259 www.ati-ia.com  
ISO 9001 Registered Company

PROPERTY OF ATI INDUSTRIAL AUTOMATION, INC. NOT TO BE REPRODUCED IN ANY MANNER EXCEPT ON ORDER OR WITH PRIOR WRITTEN AUTHORIZATION OF ATI.

DRAWN BY: J. Bunting 6/16/14		TITLE	
CHECKED BY: W. Berrocal 7/9/14 M. Hallmark 7/8/14		K5 Low Profile Tool ID Module, Master	
PROJECT # 140610-4	SHEET 2 OF 2	SCALE 3:2	SIZE B
DRAWING NUMBER 9630-20-K5M K0T		REVISION 05	