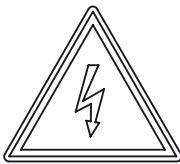
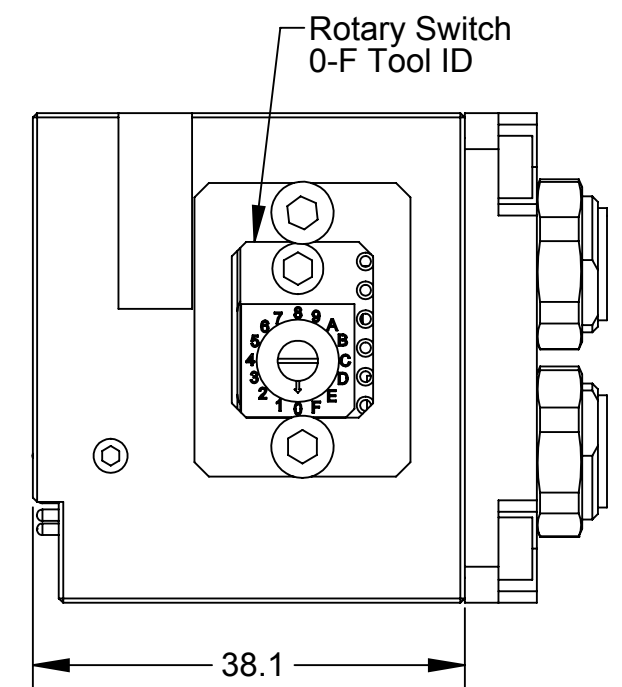
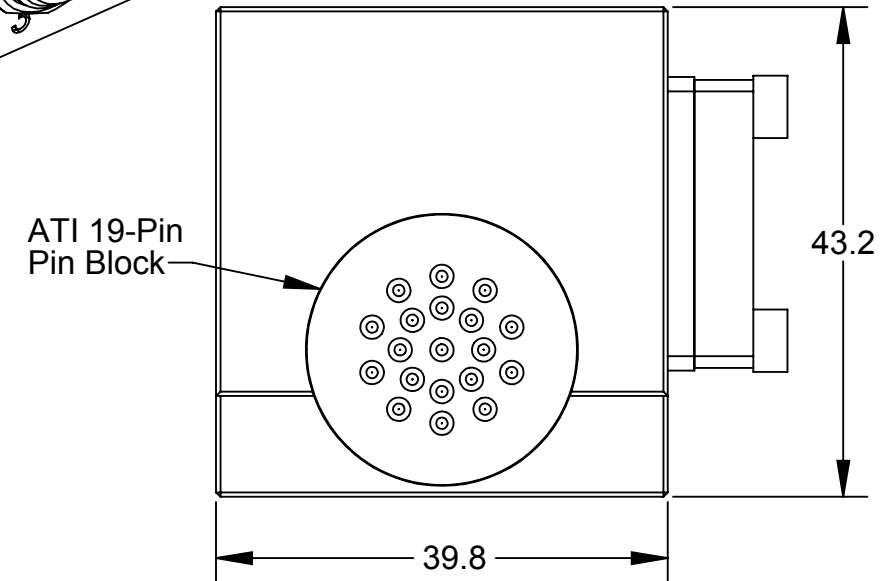
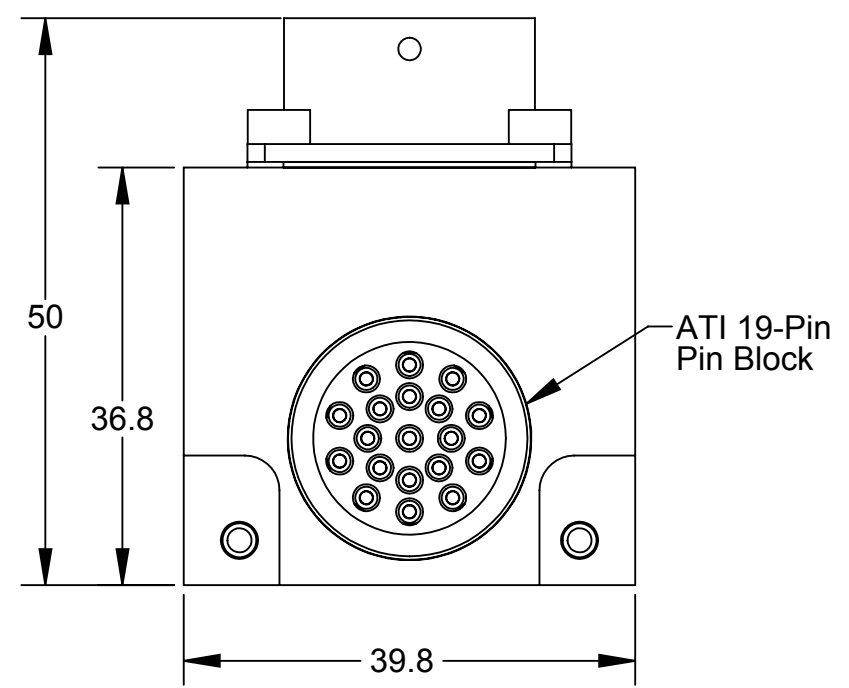
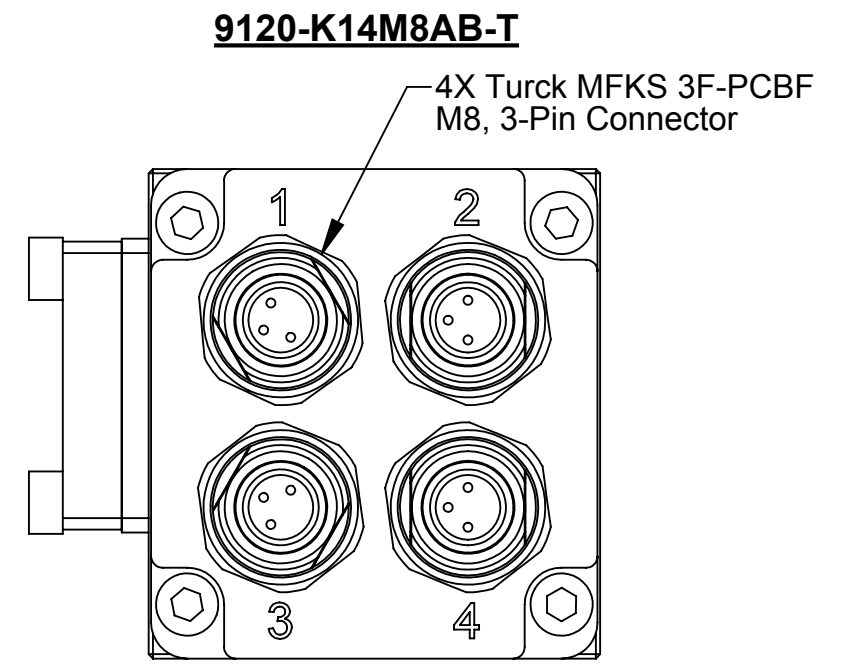
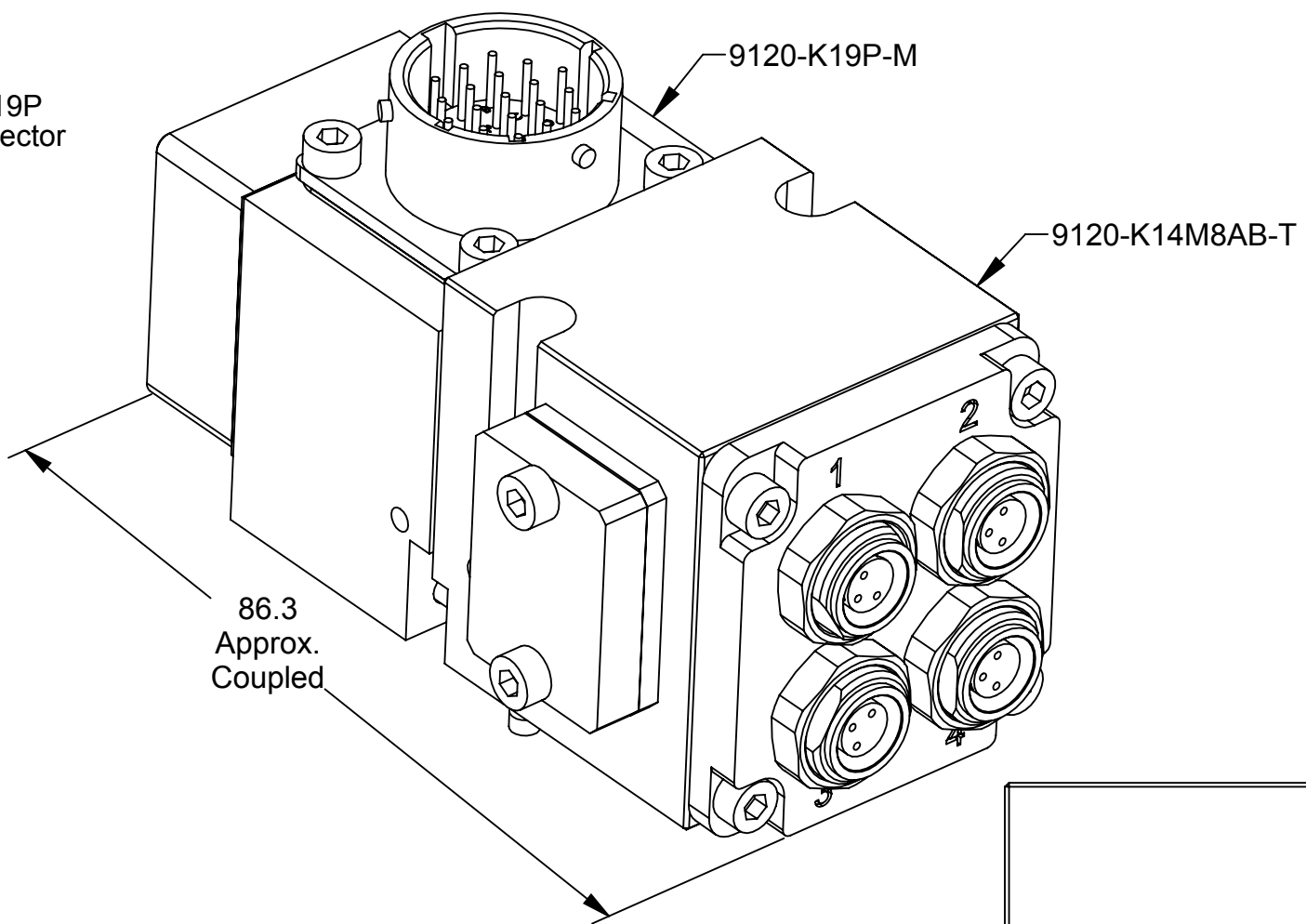
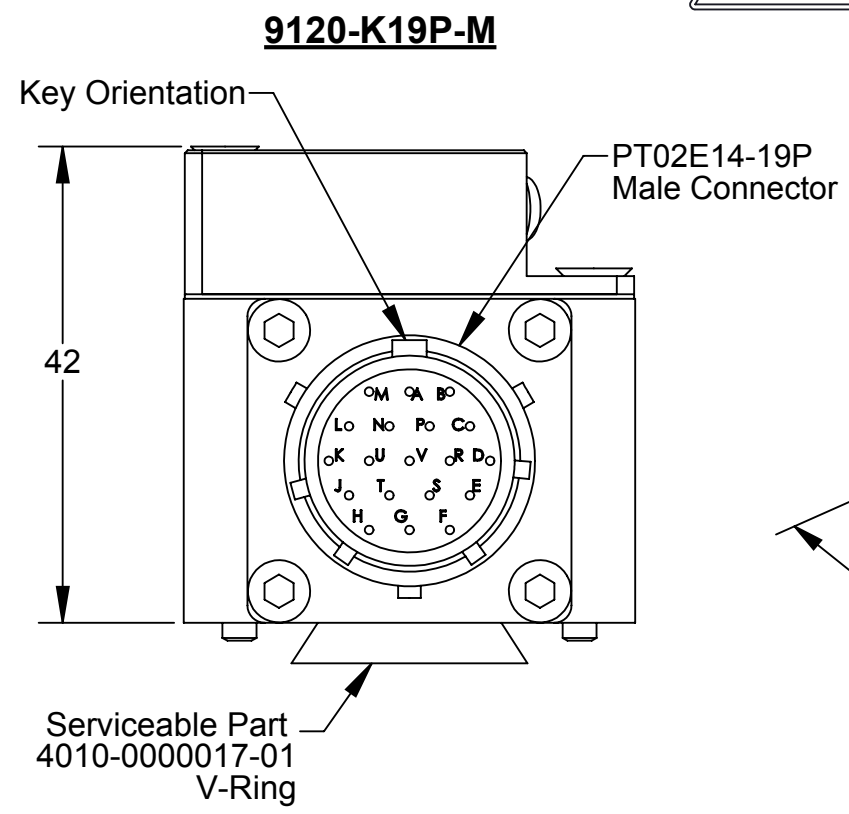


Rev.	Description	Initiator	Date
06	ECO 17871: Changed Rotary Switch callout to "0-F Tool ID" was "0-16 Tool ID".	TBC	5/8/2019



"DANGER!" - Electrical Shock Hazard

This module has a Voltage of 50V or greater, NO contact should be attempted before removing power. This especially includes separation or insertion of the mating connectors or any contact with the tool changer or its components.



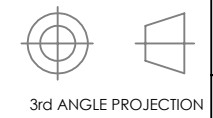
- Notes:
1. Customer approval of electrical schematic is required.
 2. Customer is to approve connector selection and orientation.
 3. See sheet 4 for module wiring schematic.

NOTES: UNLESS OTHERWISE SPECIFIED.
DO NOT SCALE DRAWING. ALL DIMENSIONS ARE IN MILLIMETERS.

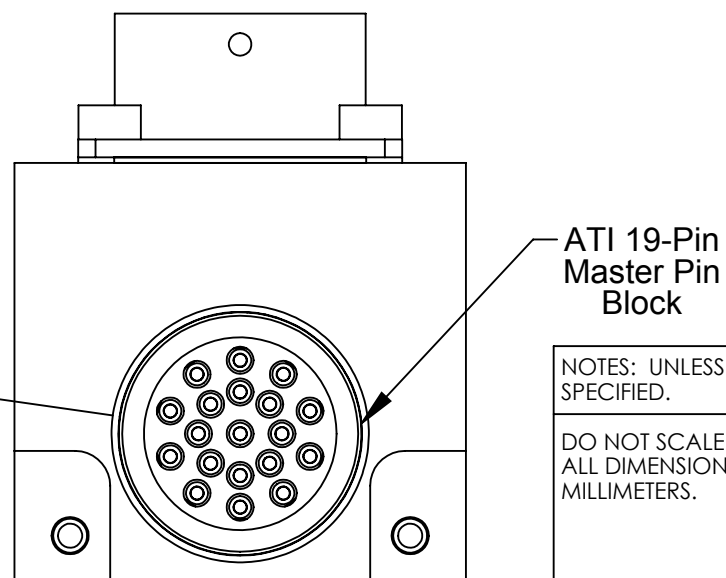
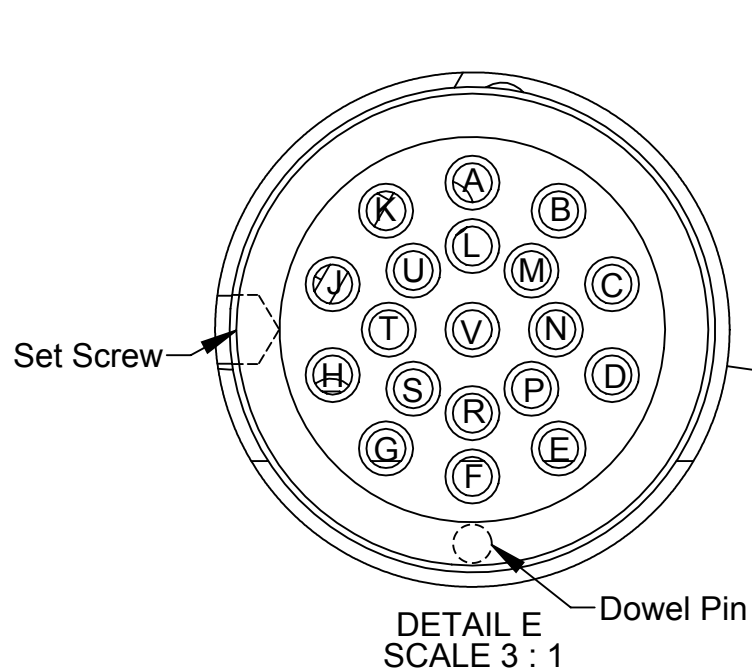
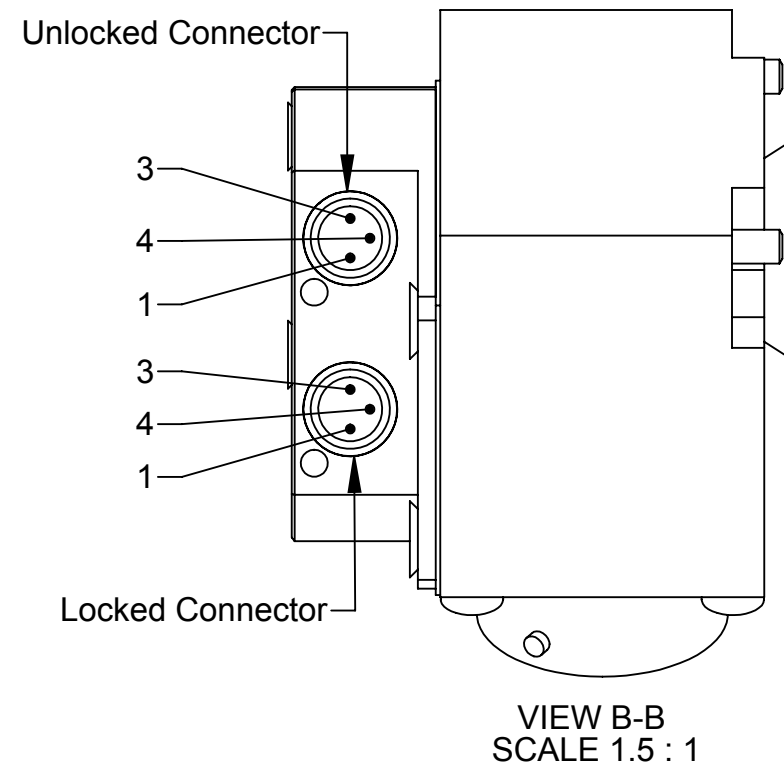
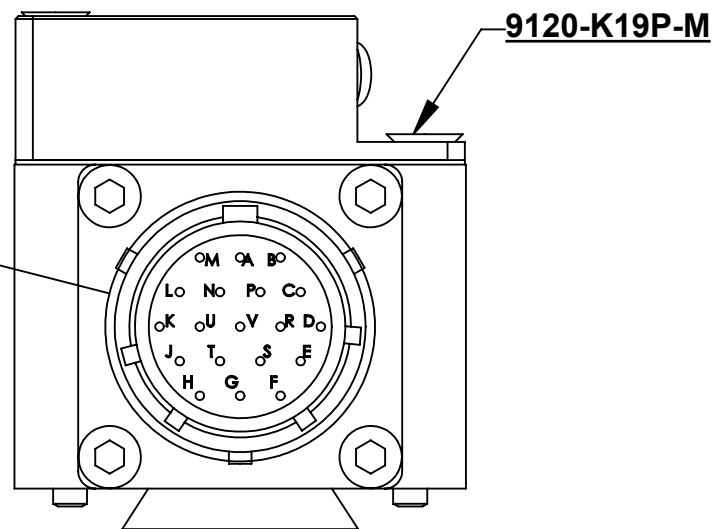
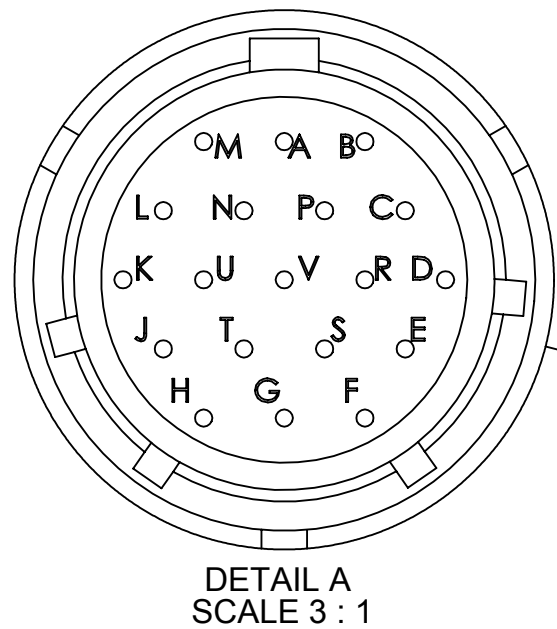
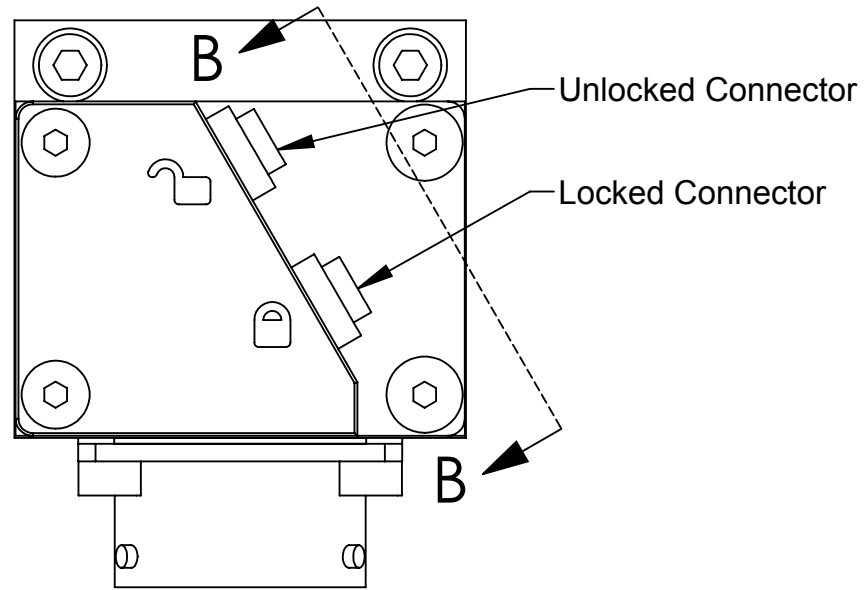


1031 Goodworth Drive, Apex, NC 27539, USA
Tel: +1.919.772.0115 Email: info@ati-ia.com
Fax: +1.919.772.8259 www.ati-ia.com
ISO 9001 Registered Company

PROPERTY OF ATI INDUSTRIAL AUTOMATION, INC. NOT TO BE REPRODUCED IN ANY MANNER EXCEPT ON ORDER OR WITH PRIOR WRITTEN AUTHORIZATION OF ATI.

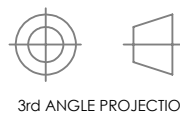


DRAWN BY: W. Berrocal, 3/20/15		TITLE	
CHECKED BY: R. Heavner, 3/20/15 F. Alonso, 4/20/15		K19P-M / K14M8AB-T Electrical Modules, 0-F Tool ID, M8 connectors	
PROJECT # 150312-1	SHEET 1 OF 4	SCALE 1:1	SIZE B
		DRAWING NUMBER	REVISION
		9630-20-K19PM K14M8ABT	06



NOTES: UNLESS OTHERWISE SPECIFIED.

DO NOT SCALE DRAWING. ALL DIMENSIONS ARE IN MILLIMETERS.



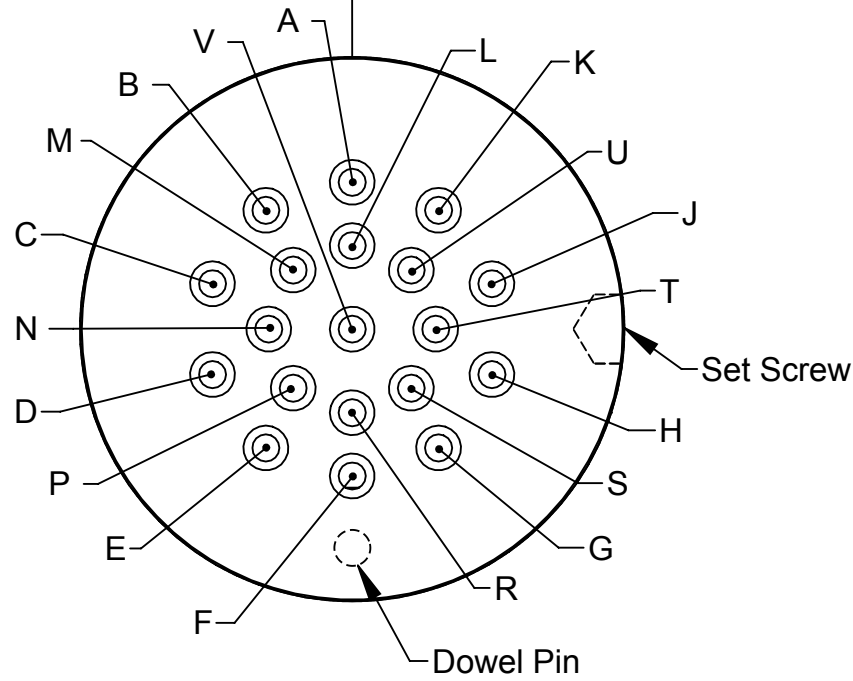
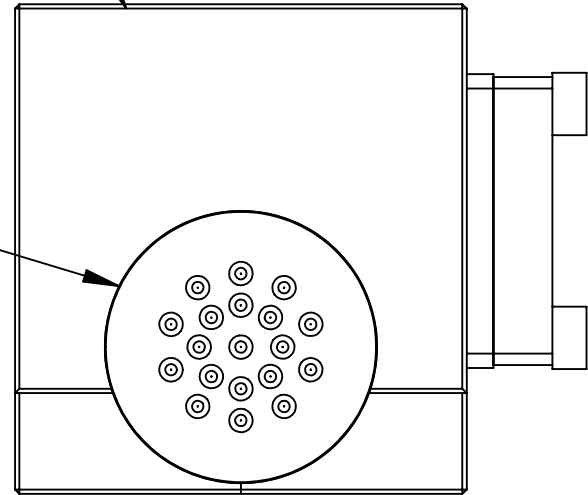
1031 Goodworth Drive, Apex, NC 27539, USA
Tel: +1.919.772.0115 www.ati-ia.com
Fax: +1.919.772.8259 ISO 9001 Registered Company

PROPERTY OF ATI INDUSTRIAL AUTOMATION, INC. NOT TO BE REPRODUCED IN ANY MANNER EXCEPT ON ORDER OR WITH PRIOR WRITTEN AUTHORIZATION OF ATI.

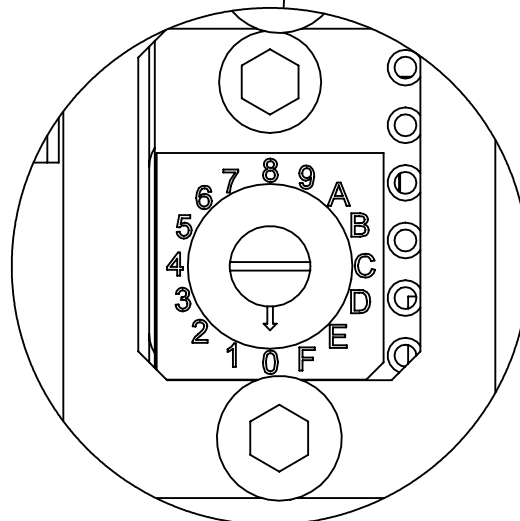
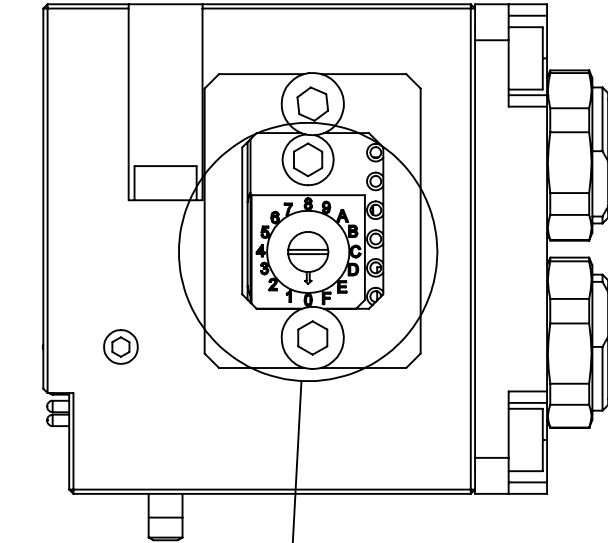
DRAWN BY: W. Berrocal, 3/20/15		TITLE		
CHECKED BY: R. Heavner, 3/20/15 F. Alonso, 4/20/15		K19P-M / K14M8AB-T Electrical Modules, 0-F Tool ID, M8 connectors		
PROJECT # 150312-1	SHEET 2 OF 4	SCALE 1:1	SIZE B	DRAWING NUMBER 9630-20-K19PM K14M8ABT
				REVISION 06

9120-K14M8AB-T

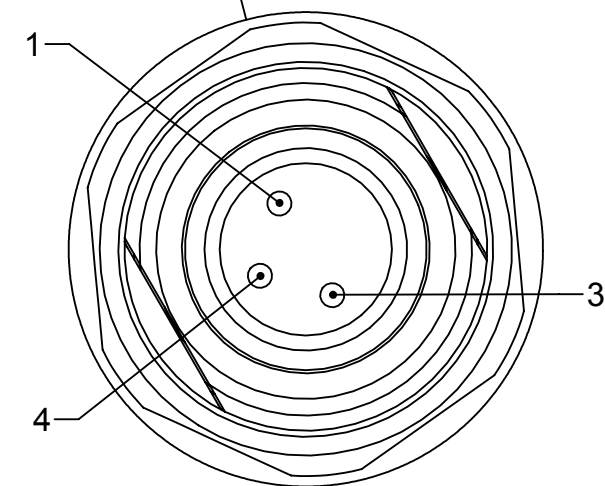
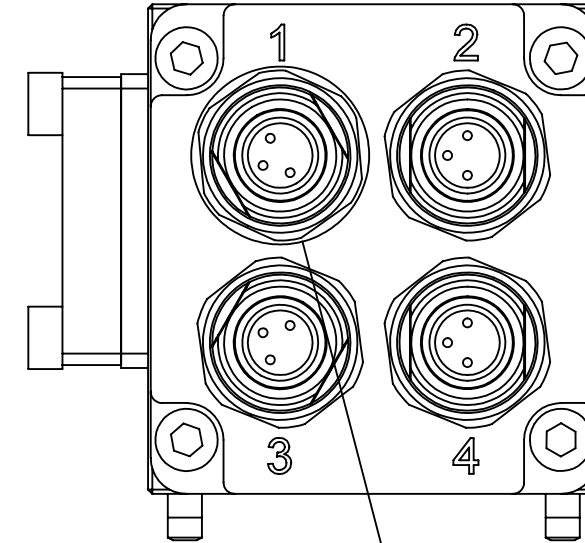
ATI 19-Pin
Tool Pin
Block



DETAIL D
SCALE 3 : 1



DETAIL C
SCALE 3 : 1



DETAIL B
SCALE 4 : 1

NOTES: UNLESS OTHERWISE SPECIFIED.

DO NOT SCALE DRAWING.
ALL DIMENSIONS ARE IN
MILLIMETERS.



3rd ANGLE PROJECTION



1031 Goodworth Drive, Apex, NC 27539, USA
Tel: +1.919.772.0115 www.ati-ia.com
Fax: +1.919.772.8259 ISO 9001 Registered Company

PROPERTY OF ATI INDUSTRIAL AUTOMATION, INC. NOT TO BE REPRODUCED IN ANY MANNER EXCEPT ON ORDER OR WITH PRIOR WRITTEN AUTHORIZATION OF ATI.

DRAWN BY: W. Berrocal, 3/20/15

CHECKED BY: R. Heavner, 3/20/15

F. Alonso, 4/20/15

PROJECT # 150312-1

SHEET 3 OF 4

TITLE

K19P-M / K14M8AB-T Electrical Modules, 0-F Tool ID, M8 connectors

SCALE
1:1

SIZE
B

DRAWING NUMBER
9630-20-K19PM K14M8ABT

REVISION
06

Electrical Schematic

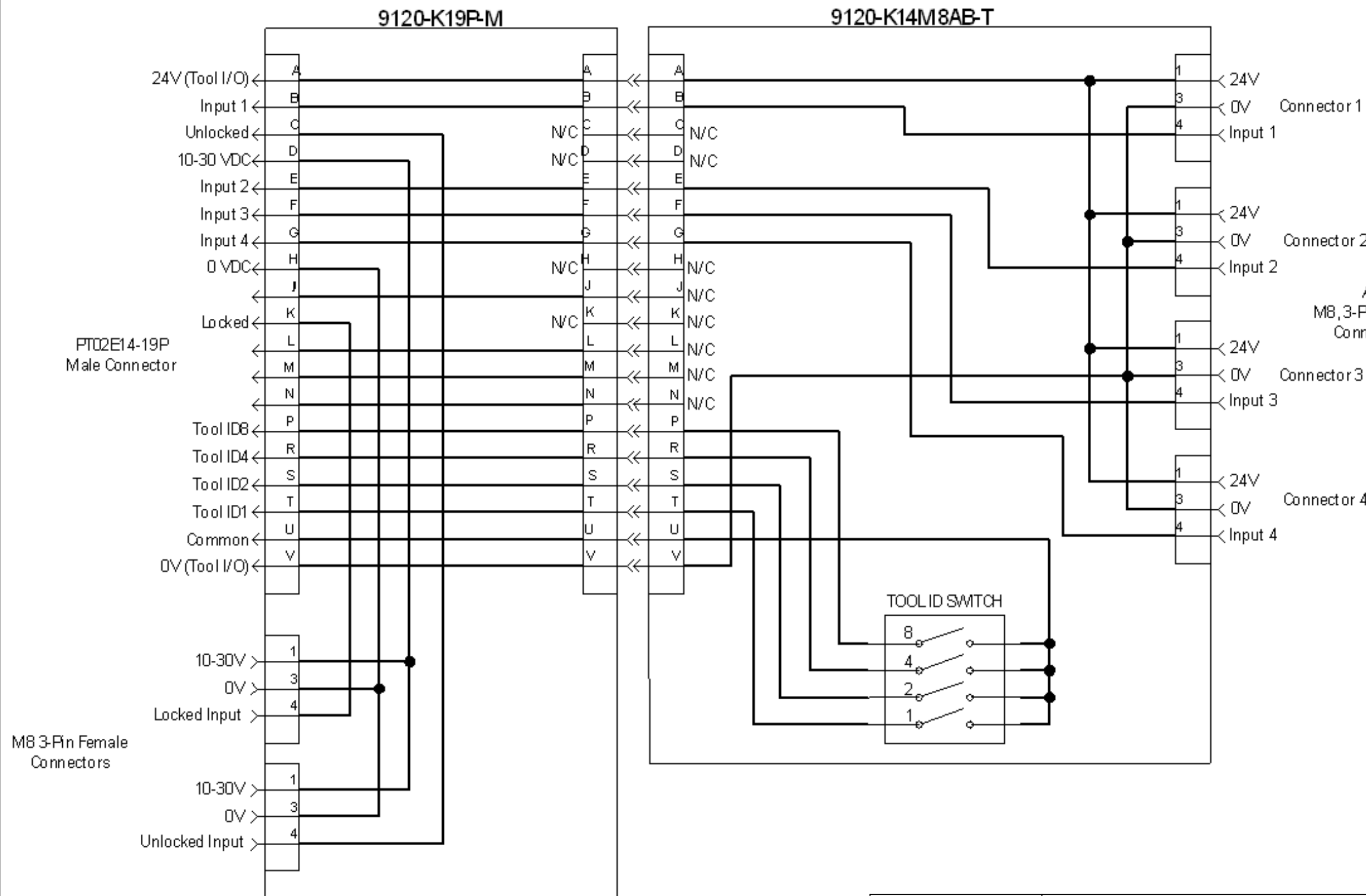


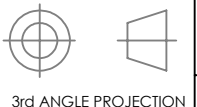
TABLE 1: Binary Output of Tool ID

Switch Selection	Pin			
	P	R	S	T
0	0	0	0	0
1	0	0	0	1
2	0	0	1	0
3	0	0	1	1
4	0	1	0	0
5	0	1	0	1
6	0	1	1	0
7	0	1	1	1
8	1	0	0	0
9	1	0	0	1
A	1	0	1	0
B	1	0	1	1
C	1	1	0	0
D	1	1	0	1
E	1	1	1	0
F	1	1	1	1

- Notes:**
1. Pin V of the ATI pin block is the first-to-mate and last-to-break contact.
 2. Refer to Table 1 for the Tool ID output (Note: Use Pin 'U' of the 19-Pin Connector (Master Side) as common).
 3. Pins A and V of the 19-Pin PT02E14-19P are designated to provide 24V and 0V to the Tool side I/O.
 4. Tool ID circuit is rated to 30V, 100mA. All four (4) M8 connector circuits are rated to 30V, 150mA.

NOTES: UNLESS OTHERWISE SPECIFIED.

DO NOT SCALE DRAWING. ALL DIMENSIONS ARE IN MILLIMETERS.



1031 Goodworth Drive, Apex, NC 27539, USA
 Tel: +1.919.772.0115 www.ati-ia.com
 Fax: +1.919.772.8259 ISO 9001 Registered Company

PROPERTY OF ATI INDUSTRIAL AUTOMATION, INC. NOT TO BE REPRODUCED IN ANY MANNER EXCEPT ON ORDER OR WITH PRIOR WRITTEN AUTHORIZATION OF ATI.

DRAWN BY: W. Berrocal, 3/20/15		TITLE	
CHECKED BY: R. Heavner, 3/20/15 F. Alonso, 4/20/15		K19P-M / K14M8AB-T Electrical Modules, 0-F Tool ID, M8 connectors	
PROJECT # 150312-1	SHEET 4 OF 4	SCALE 1:1	SIZE B
DRAWING NUMBER 9630-20-K19PM K14M8ABT		REVISION 06	