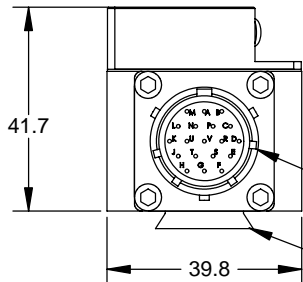
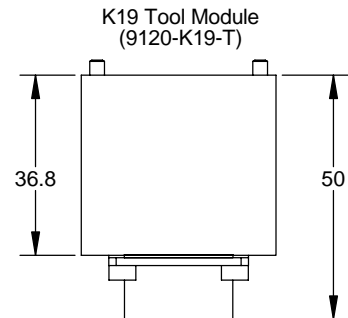
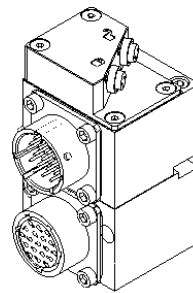
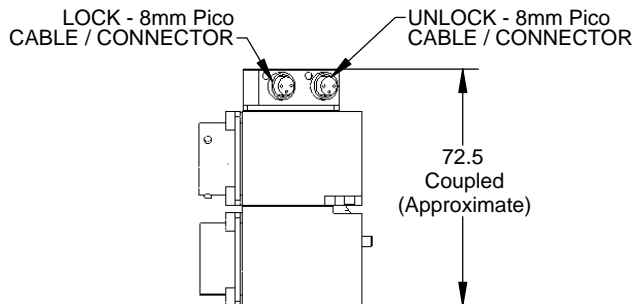
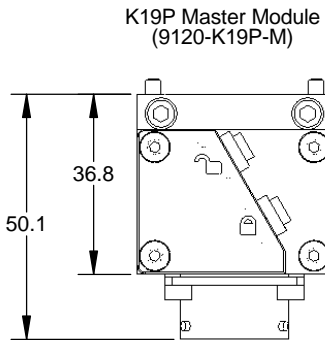


Rev.	Description	Initiator	Date
02	Eco 6026; Corrected pin labeling on 1510-2413003-19.	CF	12/17/2007

**Application:**  
**9120-K19P-M for QC20/21 Tool Changer with SIP Option**  
**9120-K19W-M for QC60 Tool Changer with SIP Option**

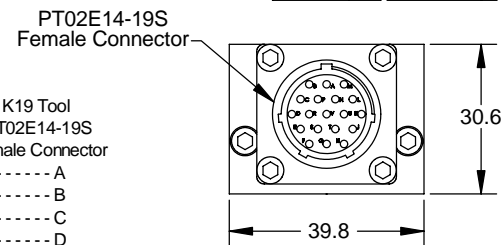
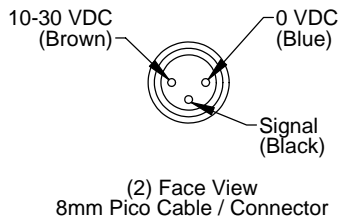
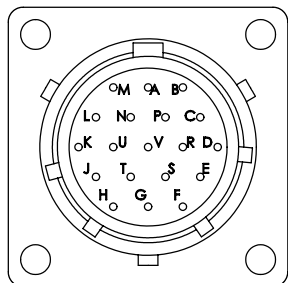


K19P Master Module  
(9120-K19P-M)

K19W (9120-K19W-M) is Dimensionally Identical  
with 7" [180mm] Long Cables Instead of 8mm Pico Connectors

PT02E14-19P  
Male Connector

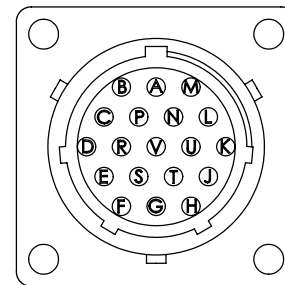
Serviceable Part:  
(V-Ring)  
(4010-0000017-01)



Wired K19 Pinout

K19P (or K19W) Master PT02E14-19P Male Connector	K19 Tool PT02E14-19S Female Connector
A	A
B	B
UNLOCK -- C	C
10-30 VDC -- D	D
E	E
F	F
G	G
0 VDC -- H	H
J	J
LOCK -- K	K
L	L
M	M
N	N
P	P
R	R
S	S
T	T
U	U
V	V

(See Note 2)

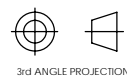


NOTES: UNLESS OTHERWISE SPECIFIED  
 DO NOT SCALE DRAWING. DRAWN IN SOLIDWORKS.  
 ALL DIMENSIONS ARE IN MILLIMETERS.



1031 Goodworth Drive, Apex, NC 27539, USA  
 Tel: +1.919.772.0115 Email: info@ati-ia.com  
 Fax: +1.919.772.8259 www.ati-ia.com  
 ISO 9001 Registered Company

Notes:  
 1. Large views of connectors are 2:1 scale.  
 2. Pin "V" on the amphenol connector is First-to-mate Last-to-break  
 at the Tool Changer interface. This pin is recommended for use  
 as ground.



DRAWN BY: D.Lawson-3/26/07	TITLE: K19P (K19W) Pin Out Drawing		
CHECKED BY: D.Swanson-3/26-07	SCALE: 1:1	SIZE: B	DRAWING NUMBER: 9630-20-K19P-M (K19W-M) - K19-T-02
WEIGHT LBS: .45	PRODUCT RELEASE # 060726-1 DATE: 5/4/07 SHEET 1 OF 1		
ASSEMBLY REF:			