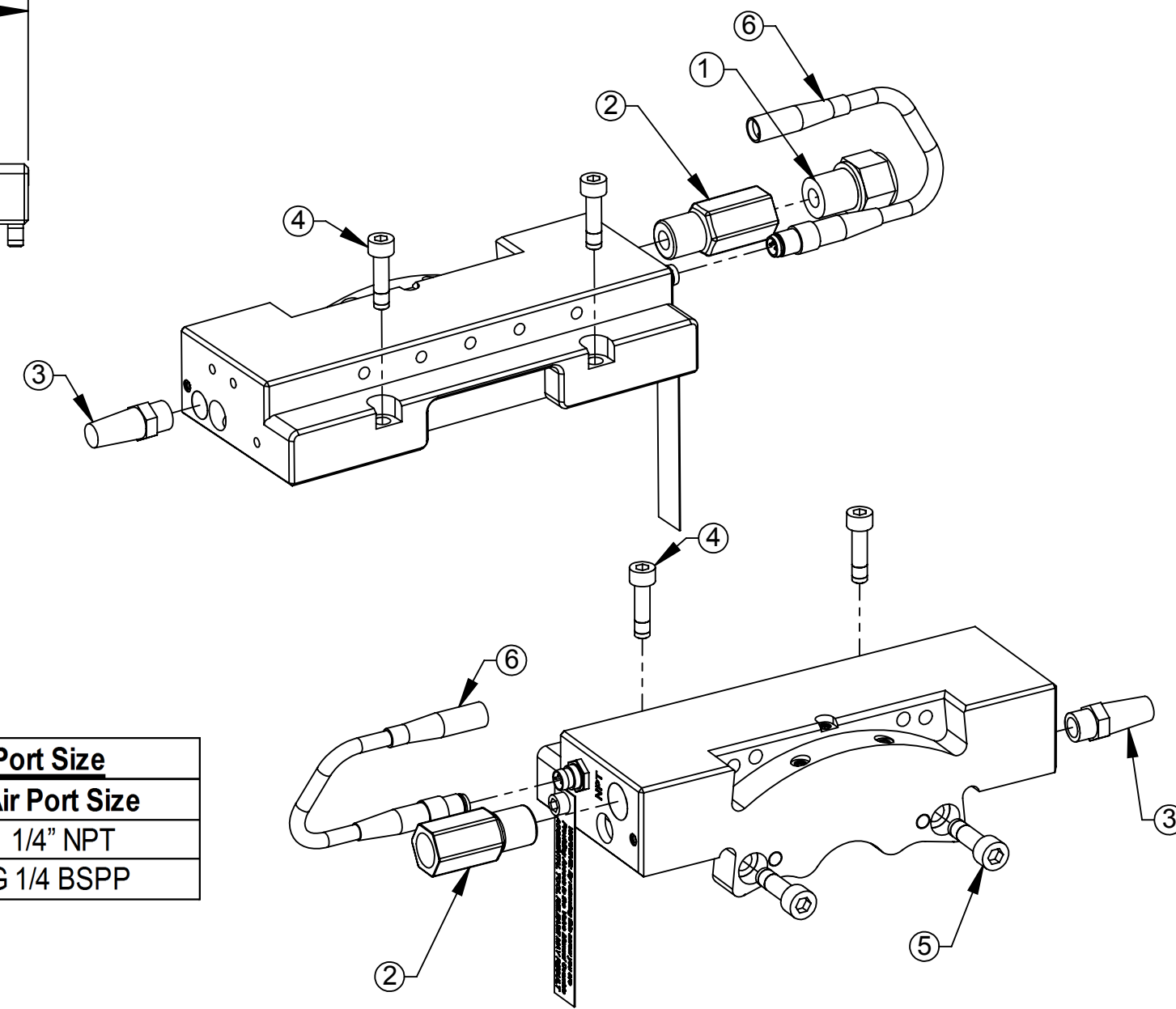
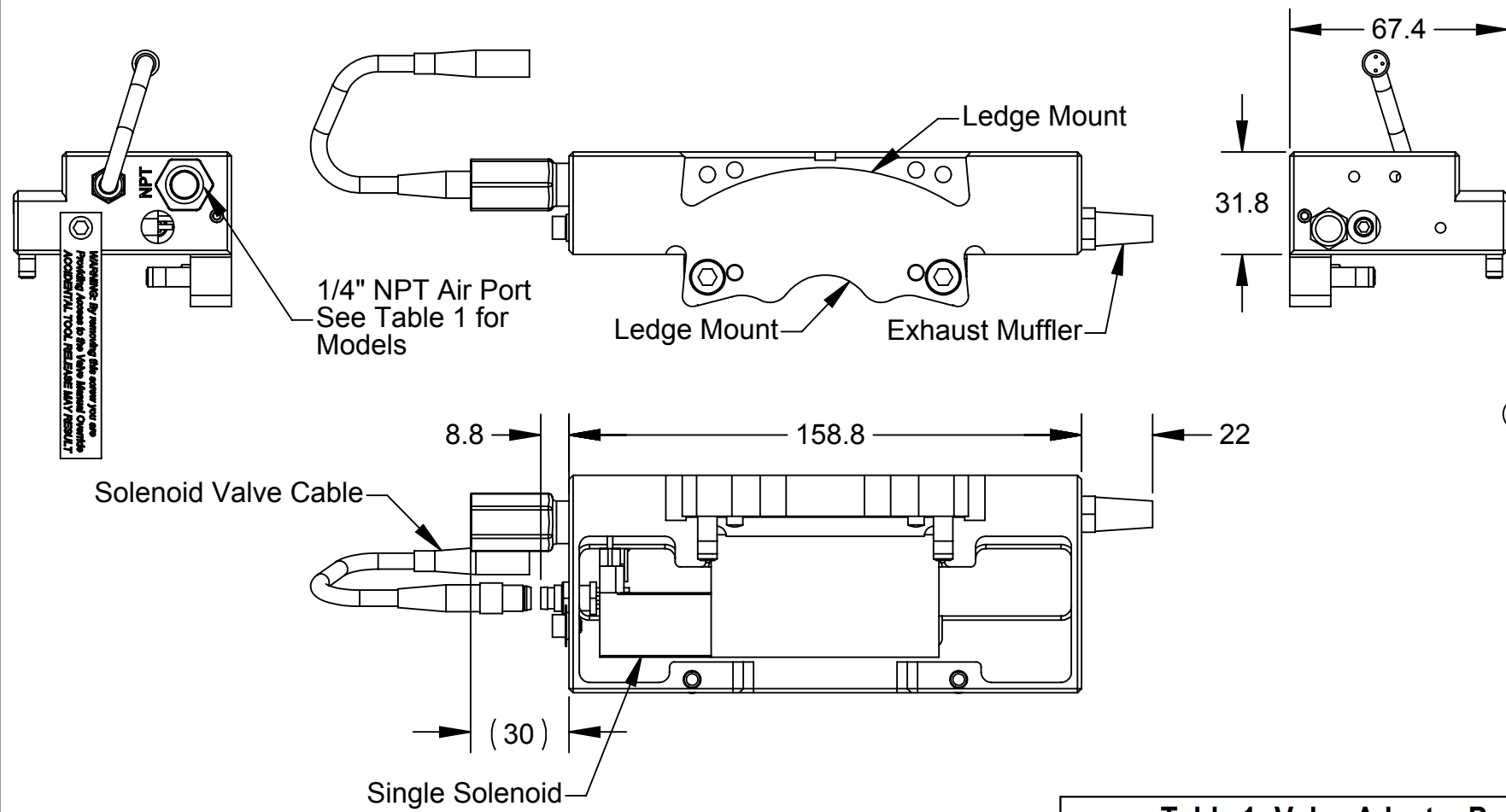


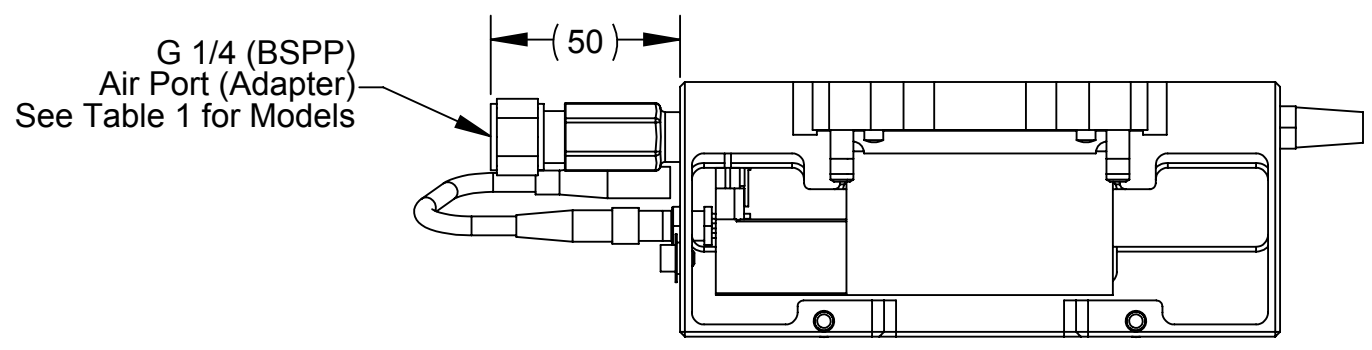
Valve Adapters with Single Solenoid and 1/4" NPT Air Port

Rev.	Description	Initiator	Date
04	Eco 18901; Added Air Filter 3490-0010005-01. Changed Dim 14 to (50). Added Dim (30).	CF	4/2/2020



Valve Adapter Model	Air Port Size
9121-JC3-M	1/4" NPT
9121-JD3-M	G 1/4 BSPP

Valve Adapters with Single Solenoids and G 1/4 (BSPP) Air Ports



ITEM NO.	QTY	PART NUMBER	DESCRIPTION
1	1	3405-1030005-01	Fitting, Adapter, 1/4NPT to G1/4
2	1	3490-0010005-01	Air Filter, 1/4 NPT Male X 1/4 NPT Female
3	1	3490-1010002-00	Conical Breather 1/8 NPT
4	2	3500-1064020-15A	M5-0.8 x 20mm SHCS, Blue, Pre-Applied
5	2	3500-1066020-15A	M6-1 x 20mm SHCS, Blue, Pre-Applied
6	1	9120-C-3PM-3PF-0016	3-Pin Pico Extension Cable, 0.16m Long

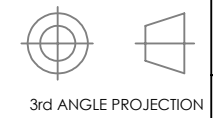
NOTES: UNLESS OTHERWISE SPECIFIED.
DO NOT SCALE DRAWING. ALL DIMENSIONS ARE IN MILLIMETERS.



1031 Goodworth Drive, Apex, NC 27539, USA
Tel: +1.919.772.0115 Email: info@ati-ia.com
Fax: +1.919.772.8259 www.ati-ia.com
ISO 9001 Registered Company

PROPERTY OF ATI INDUSTRIAL AUTOMATION, INC. NOT TO BE REPRODUCED IN ANY MANNER EXCEPT ON ORDER OR WITH PRIOR WRITTEN AUTHORIZATION OF ATI.

- Notes:
1. Valve Adapter to Tool Changer mounting and Valve Connector signals are shown on Sheet 2.
 2. Pneumatic and Electrical Schematic are shown on Sheet 3.
 3. Other models are covered in the 9620-20-C-Jxx Valve adapter with a Single Solenoid manual.



DRAWN BY: J. Handy, 1/7/16		TITLE	
CHECKED BY: W Berrocal, 9/9/16		QC-310 Valve Adapters w/ Single Solenoid	
PROJECT #	SHEET 1 OF 3	SCALE	SIZE
		1:2	B
DRAWING NUMBER		REVISION	
9630-20-Jxx Single Solenoid for QC-310		04	

9121-JC3-M
Valve Connector
M8, 3-Pin Male

Connector orientation no guaranteed
Cable Not Shown (See Table 2)

WARNING

Unlatch Valve Manual Override Access
(Supplied w/ Cover Screw and Warning Label)
(See Note 1)

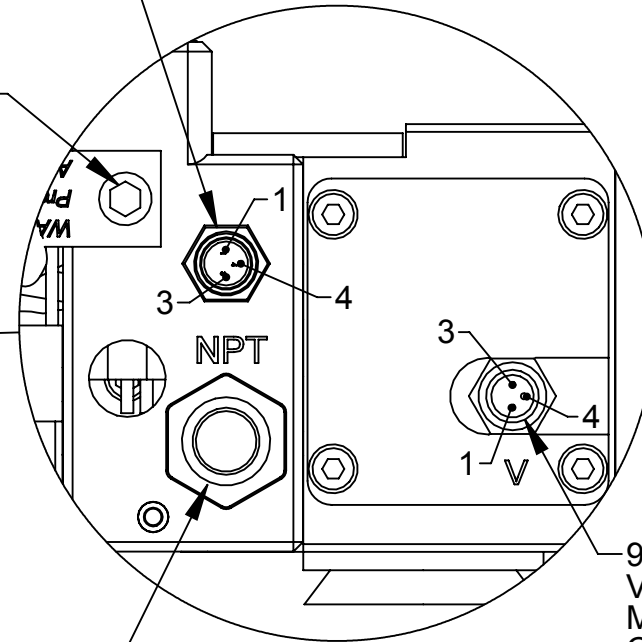
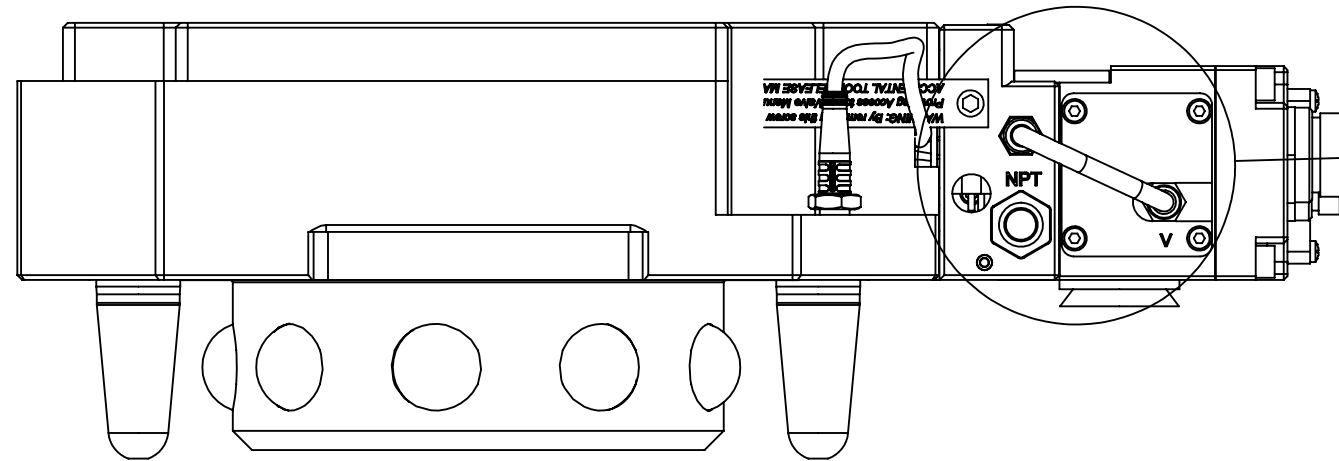


Table 2: Valve Connector Signals		
Pin	Signal	Wire
1	Unlatch (+19-29 VDC)	Brown
3	0 VDC	Blue
4	Latch (Not Used)	Black

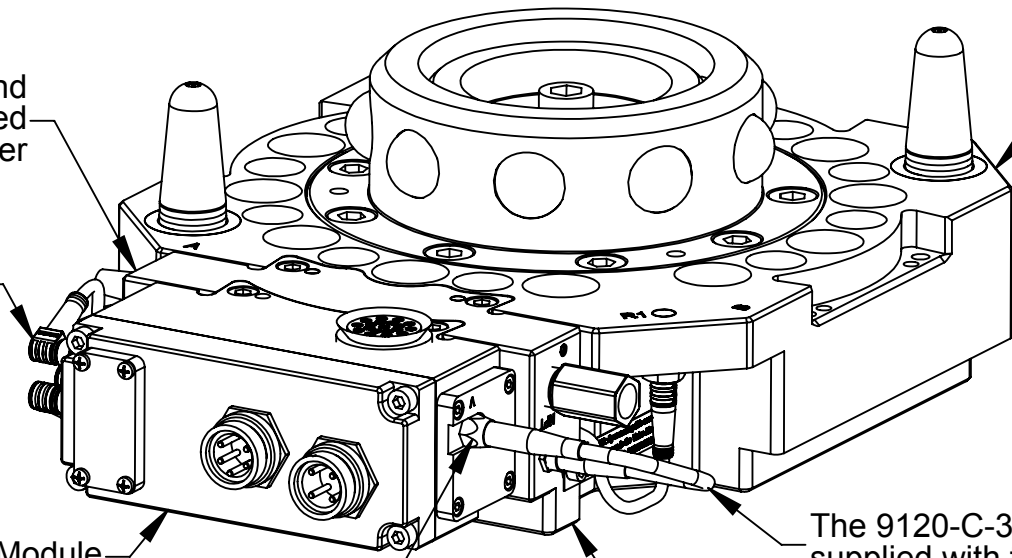
1/4 NPT Air Supply Connection
(9121-JD3-M model supplied with
G 1/4 (BSPP) adapter fitting)

DETAIL A
SCALE 1 : 1

9121-xxx-M Control/Signal Module
Valve Connector
M8, 3-Pin Female
Cable Not Shown (See Table 2)

The valve adapter and
control/signal module are mounted
to Flat A on the Tool Changer

The Integrated Sensor Cables for Locked,
Unlocked and Ready-to-Lock inputs are
supplied with the base tool changer package.



QC-310 (Shown for
Reference)

Control/Signal Module

Valve Connector

The 9120-C-3PM-3PF-0016 Cable
supplied with the valve adapter.

9121-JC3-M (Shown)

Notes:
1. **WARNING: Tool Release Will Occur with actuation of the Unlatch Valve Manual Override. Use of the valve manual override is restricted to contingency situations. The tool changer and associated tool should be in a stand or storage location prior to actuation of the manual override.**

NOTICE: Actuation of valve override buttons requires very little travel (~1mm) and only a small amount of force. Applying excess force can damage the solenoid or cause override button to stick in one position. Use non-sharp object, similar to ball nose 2mm Allen key, to gently depress the override button; an air release should be heard when the solenoid is activated.

- 2. The valve adapters with single solenoid are designed to mount to QC-310, QC-313, QC-510 and QC-1210 Tool Changers.
- 3. The valve adapters with single solenoid are designed to be integrated with specific models of control/signal modules with a valve connector.

NOTES: UNLESS OTHERWISE SPECIFIED.

DO NOT SCALE DRAWING. ALL DIMENSIONS ARE IN MILLIMETERS.



3rd ANGLE PROJECTION

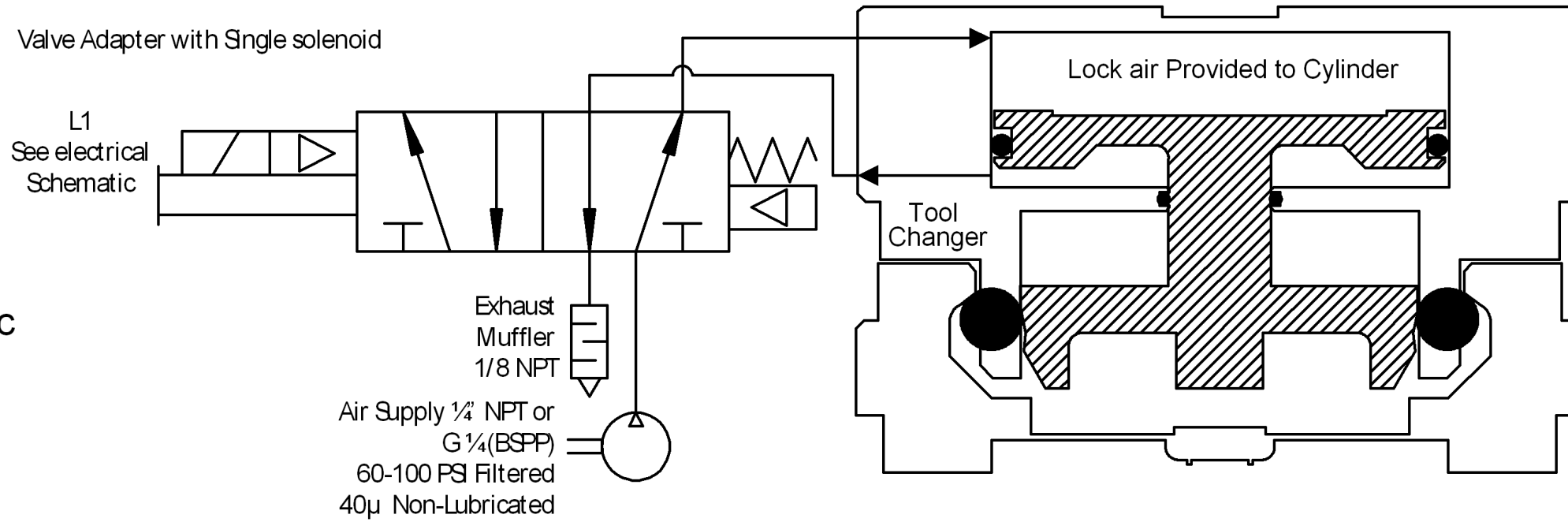


1031 Goodworth Drive, Apex, NC 27539, USA
Tel: +1.919.772.0115 Email: info@ati-ia.com
Fax: +1.919.772.8259 www.ati-ia.com
ISO 9001 Registered Company

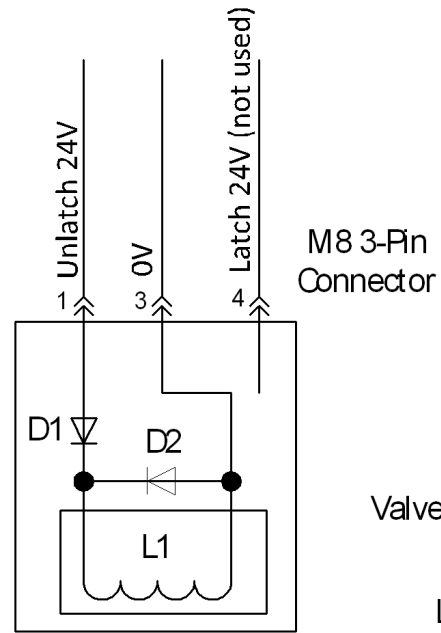
PROPERTY OF ATI INDUSTRIAL AUTOMATION, INC. NOT TO BE REPRODUCED IN ANY MANNER EXCEPT ON ORDER OR WITH PRIOR WRITTEN AUTHORIZATION OF ATI.

DRAWN BY: J. Handy, 1/7/16		TITLE			
CHECKED BY: W Berrocal, 9/9/16		QC-310 Valve Adapters w/ Single Solenoid			
PROJECT #	SHEET 2 OF 3	SCALE	SIZE	DRAWING NUMBER	REVISION
		1:2	B	9630-20-Jxx Single Solenoid for QC-310	04

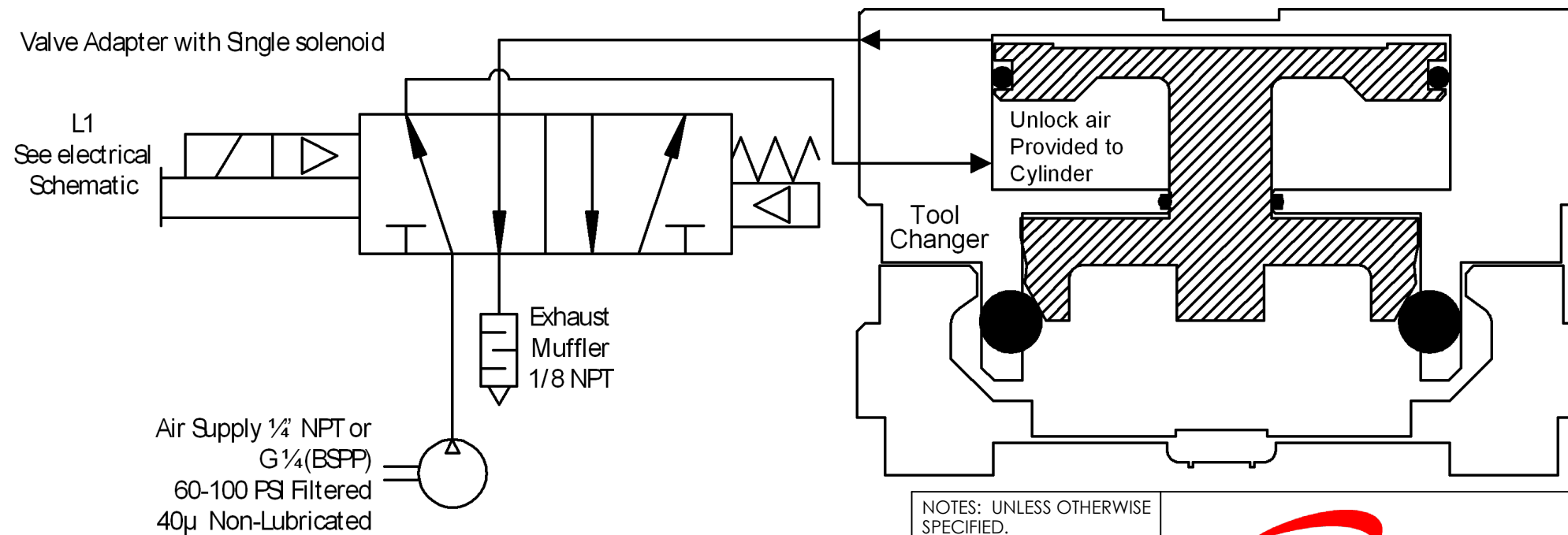
Single Solenoid De-energized, spring return to Locked state



Electrical Schematic



Single Solenoid Energized to Unlocked state



- Notes:
1. The valve adapters utilize a single solenoid 5/2 valve. The valve requires supply voltage between 19-29V. The Valve CV is 1.1.
 2. The valve must be supplied clean, dry, non-lubricated air at 60 to 100 psi (4.1-6.9 Bar) and filtered at 40 microns or better. The valve will NOT operate correctly if insufficient air pressure is supplied.
 3. It is critical that the exhaust mufflers are not restricted. As part of a preventative maintenance program, periodically inspect and/or replace the exhaust mufflers.

NOTES: UNLESS OTHERWISE SPECIFIED.

DO NOT SCALE DRAWING. ALL DIMENSIONS ARE IN MILLIMETERS.



3rd ANGLE PROJECTION



1031 Goodworth Drive, Apex, NC 27539, USA
Tel: +1.919.772.0115 Email: info@ati-ia.com
Fax: +1.919.772.8259 www.ati-ia.com
ISO 9001 Registered Company

PROPERTY OF ATI INDUSTRIAL AUTOMATION, INC. NOT TO BE REPRODUCED IN ANY MANNER EXCEPT ON ORDER OR WITH PRIOR WRITTEN AUTHORIZATION OF ATI.

DRAWN BY: J. Handy, 1/7/16

CHECKED BY: W Berrocal, 9/9/16

PROJECT #

SHEET 3 OF 3

TITLE

QC-310 Valve Adapters w/ Single Solenoid

SCALE
1:5

SIZE
B

DRAWING NUMBER

9630-20-Jxx Single Solenoid for QC-310

REVISION
04