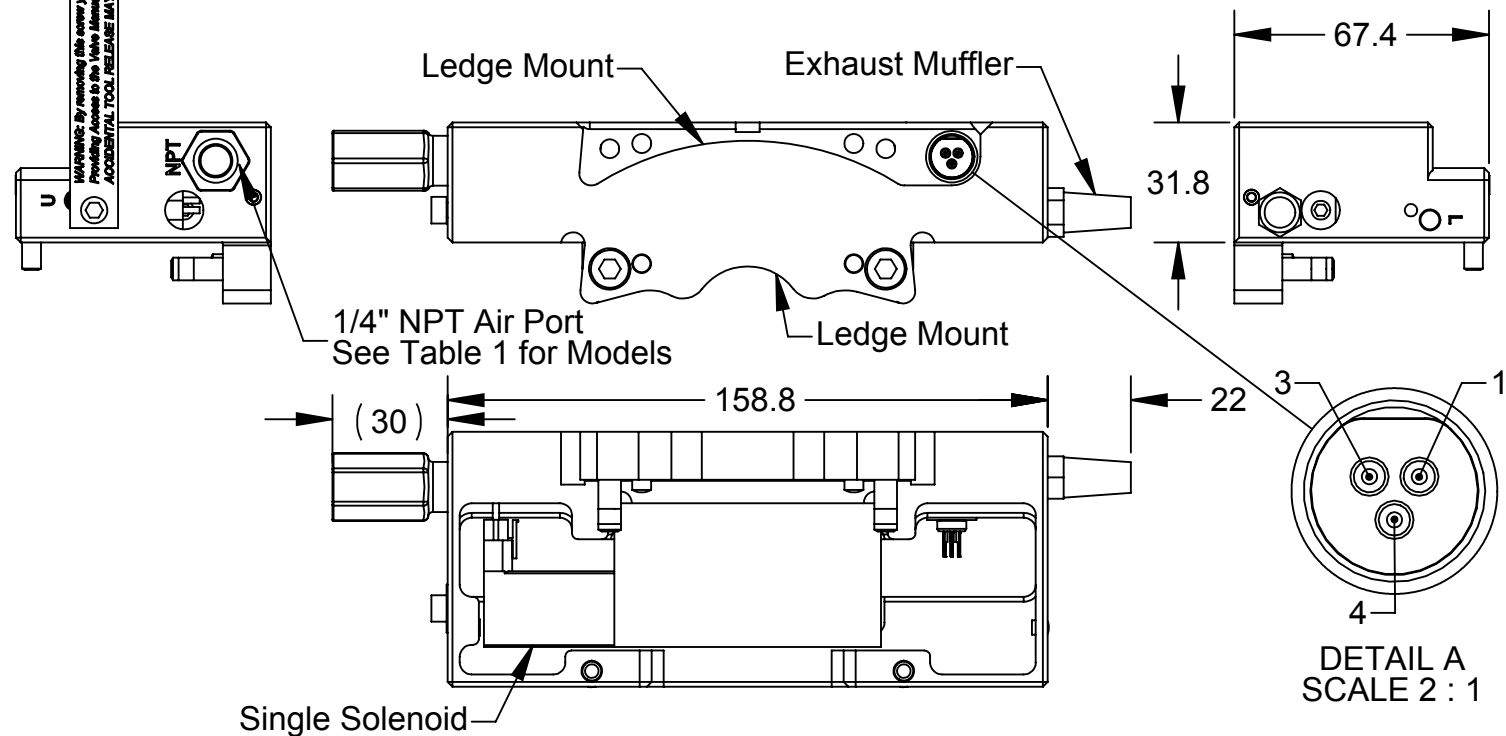
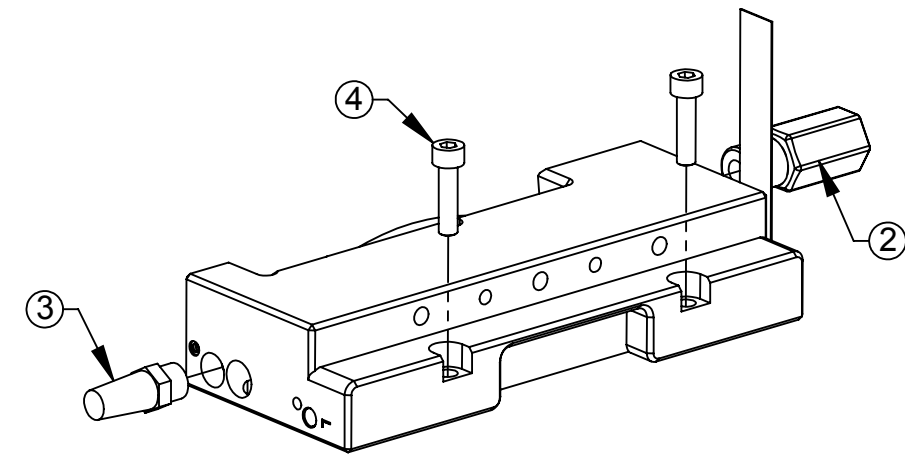


Rev.	Description	Initiator	Date
04	Eco 18901; Added Air Filter 3490-0010005-01. Dims (50) was 14 and (59) was 28.9; Added Dim (30).	CF	4/13/2020

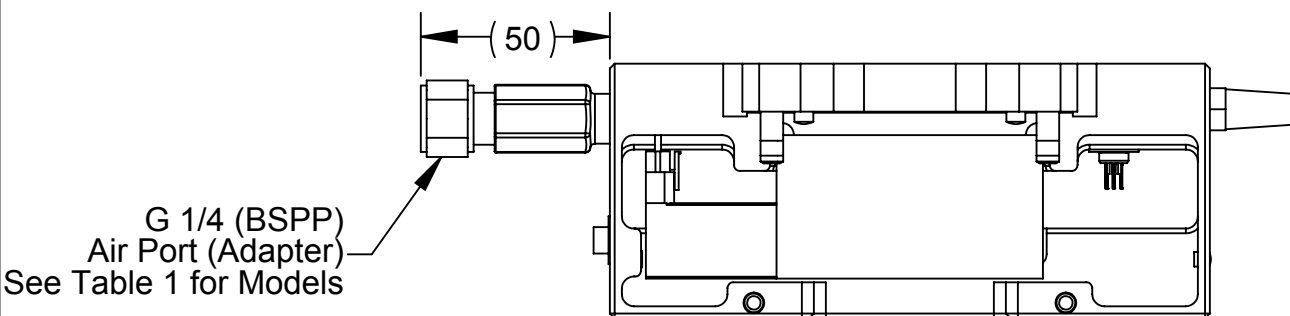
Valve Adapters with Single Solenoid and 1/4" NPT Air Port



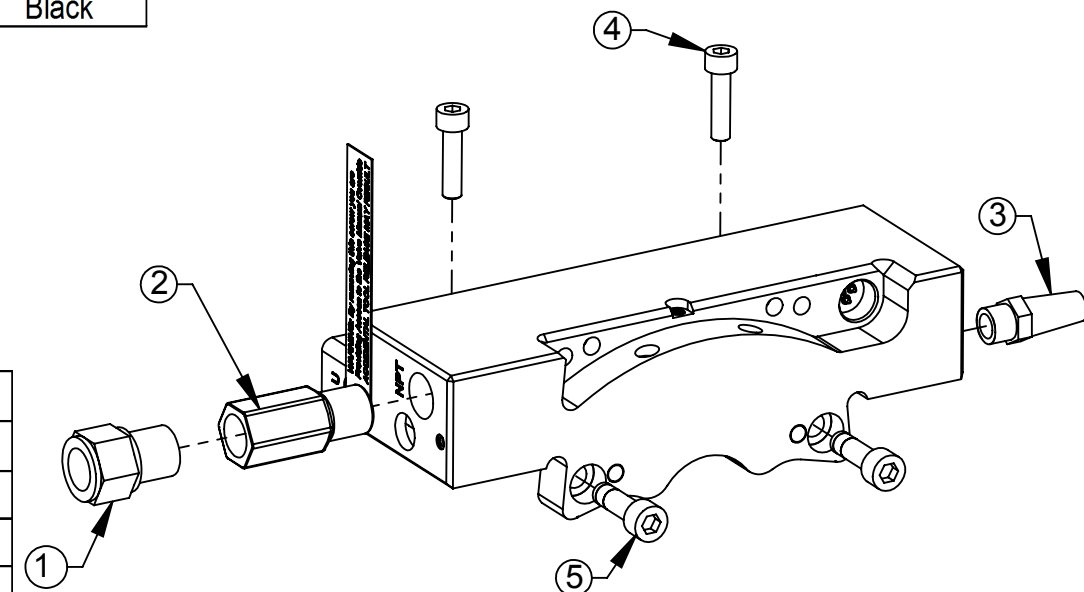
Pin	Signal	Wire
1	Unlatch (+19-29 VDC)	Brown
3	0 VDC	Blue
4	Latch (Not Used)	Black



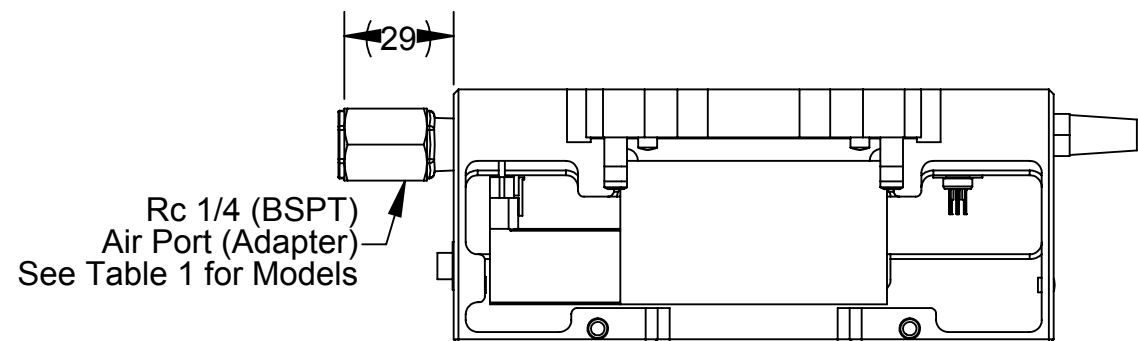
Valve Adapters with Single Solenoids and G 1/4 (BSPP) Air Ports



Valve Adapter Model	Air Port Size
9121-JR3-M	1/4" NPT
9121-JS3-M	G 1/4 BSPP
9121-JP7-M	Rc 1/4 BSPT



Valve Adapters with Single Solenoids and Rc 1/4 (BSPT) Air Ports

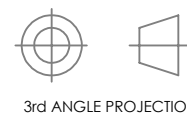


ITEM NO.	QTY	PART NUMBER	DESCRIPTION
1	1	3405-1030005-01	Fitting, Adapter, 1/4NPT to G1/4
	1	3405-1030008-01	Adapter, 1/4 NPT Male x Rc 1/4 Female
2	1	3490-0010005-01	Air Filter, 1/4 NPT Male X 1/4 NPT Female
3	1	3490-1010002-00	Conical Breather 1/8 NPT
4	2	3500-1064020-15	M5-0.8 x 20mm SHCS, Blue
5	2	3500-1066020-15A	M6-1 x 20mm SHCS, Blue, Pre-Applied

- Notes:
- Valve Adapter to Tool Changer mounting is shown on Sheet 2.
 - Pneumatic and Electrical Schematic are shown on Sheet 3.
 - Other models are covered in the 9620-20-C-Jxx Valve adapter with a Single Solenoid and Valve Pass Through manual.

NOTES: UNLESS OTHERWISE SPECIFIED.

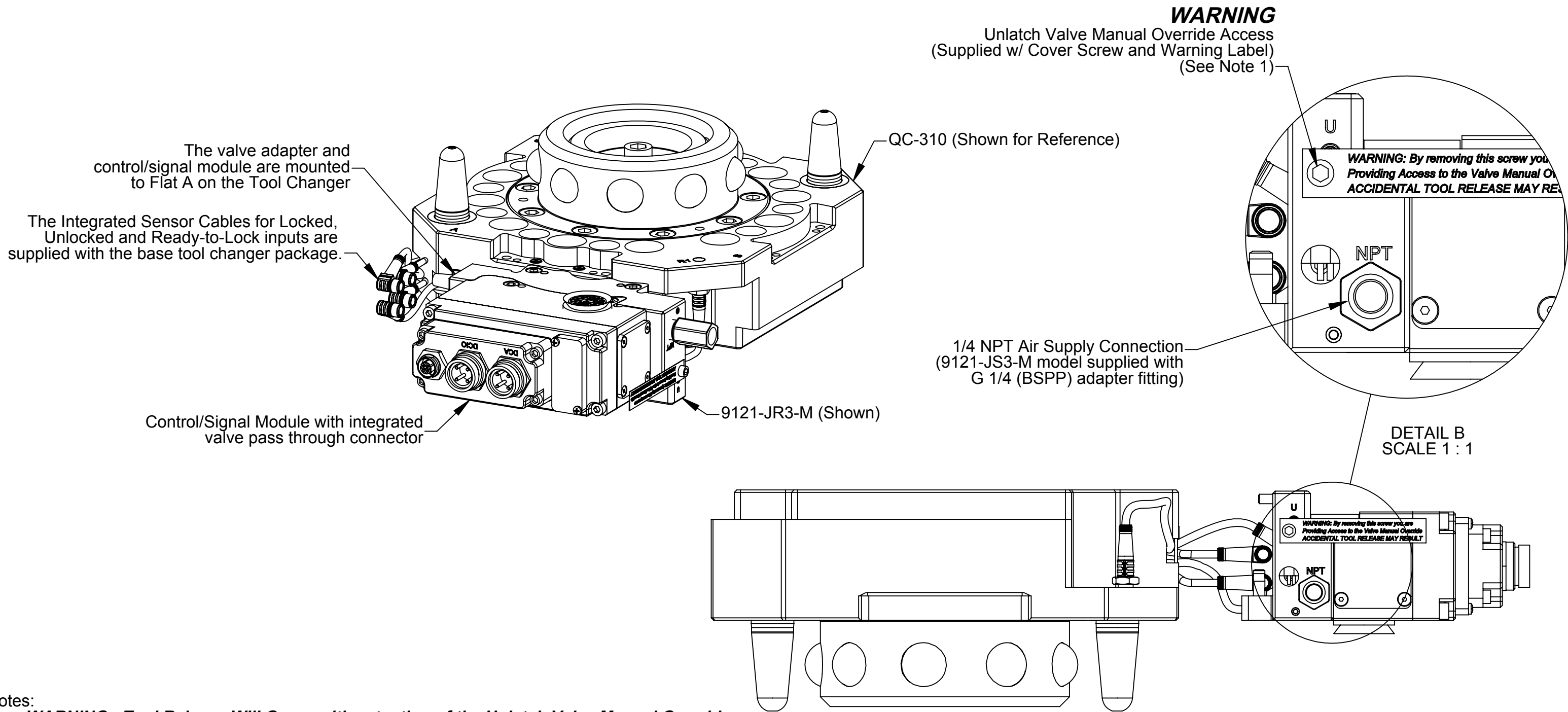
DO NOT SCALE DRAWING. ALL DIMENSIONS ARE IN MILLIMETERS.



1031 Goodworth Drive, Apex, NC 27539, USA
 Tel: +1.919.772.0115 Email: info@ati-ia.com
 Fax: +1.919.772.8259 www.ati-ia.com
 ISO 9001 Registered Company

PROPERTY OF ATI INDUSTRIAL AUTOMATION, INC. NOT TO BE REPRODUCED IN ANY MANNER EXCEPT ON ORDER OR WITH PRIOR WRITTEN AUTHORIZATION OF ATI.

DRAWN BY: J. Handy, 1/7/16		TITLE	
CHECKED BY: W Berrocal, 9/8/16		QC-310 Valve Adapter with Single Solenoid, Valve Pass Through	
PROJECT #	SHEET 1 OF 3	SCALE	SIZE
		1:2	B
DRAWING NUMBER		REVISION	
9630-20-Jxx Sing Sol Pas Thru QC310		04	



Notes:

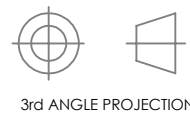
1. **WARNING: Tool Release Will Occur with actuation of the Unlatch Valve Manual Override. Use of the valve manual override is restricted to contingency situations. The tool changer and associated tool should be in a stand or storage location prior to actuation of the manual override.**

NOTICE: Actuation of valve override buttons requires very little travel (~1mm) and only a small amount of force. Applying excess force can damage the solenoid or cause override button to stick in one position. Use non-sharp object, similar to ball nose 2mm Allen key, to gently depress the override button; an air release should be heard when the solenoid is activated.

2. The valve adapters with single solenoid are designed to mount to QC-310, QC-313, QC-510 and QC-1210 Tool Changers.
3. The valve adapters with single solenoid and valve pass through are designed to be integrated with specific models of control/signal modules with an integrated valve connector. The Valve Adapter provides routing for the ready to lock sensor cable from the Tool Changer or Utility Coupler to the control/signal module.

NOTES: UNLESS OTHERWISE SPECIFIED.

DO NOT SCALE DRAWING. ALL DIMENSIONS ARE IN MILLIMETERS.

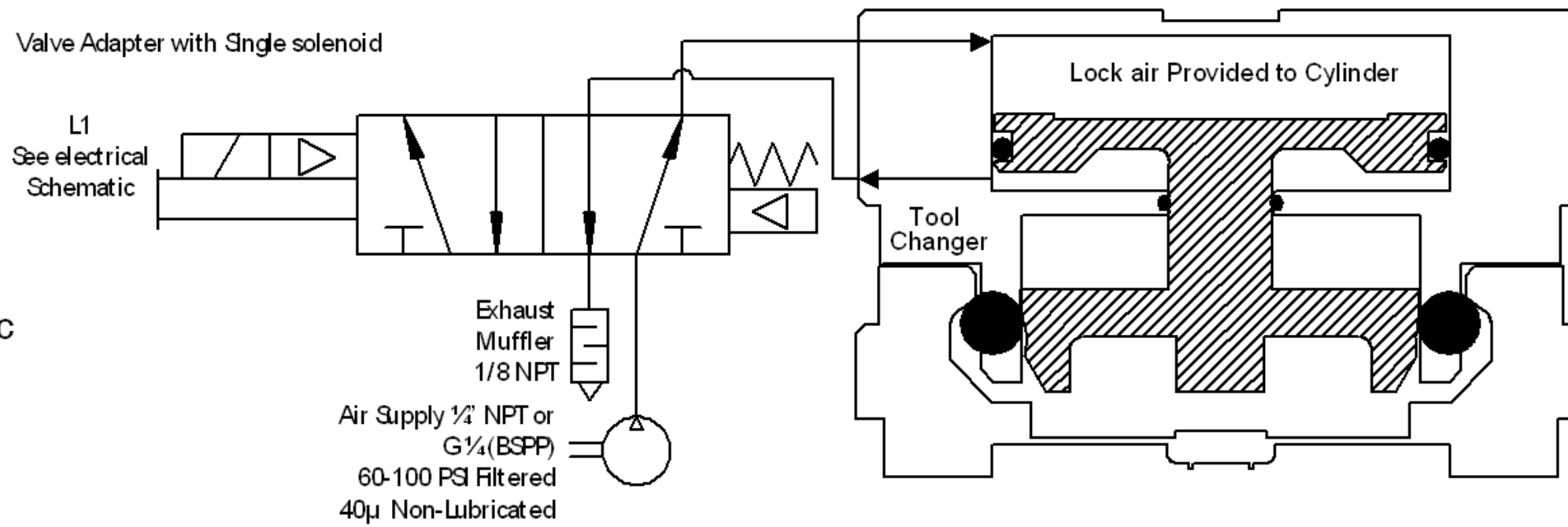


1031 Goodworth Drive, Apex, NC 27539, USA
Tel: +1.919.772.0115 Email: info@ati-ia.com
Fax: +1.919.772.8259 www.ati-ia.com
ISO 9001 Registered Company

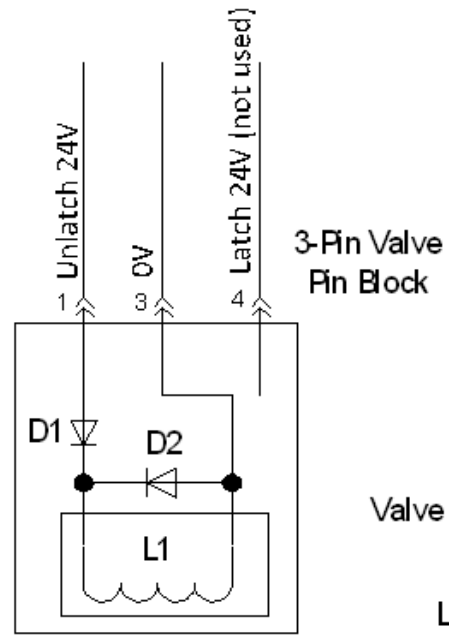
PROPERTY OF ATI INDUSTRIAL AUTOMATION, INC. NOT TO BE REPRODUCED IN ANY MANNER EXCEPT ON ORDER OR WITH PRIOR WRITTEN AUTHORIZATION OF ATI.

DRAWN BY: J. Handy, 1/7/16		TITLE		
CHECKED BY: W Berrocal, 9/8/16		QC-310 Valve Adapter with Single Solenoid, Valve Pass Through		
PROJECT #	SHEET 2 OF 3	SCALE	SIZE	DRAWING NUMBER
		1:2	B	9630-20-Jxx Sing Sol Pas Thru QC310
				REVISION
				04

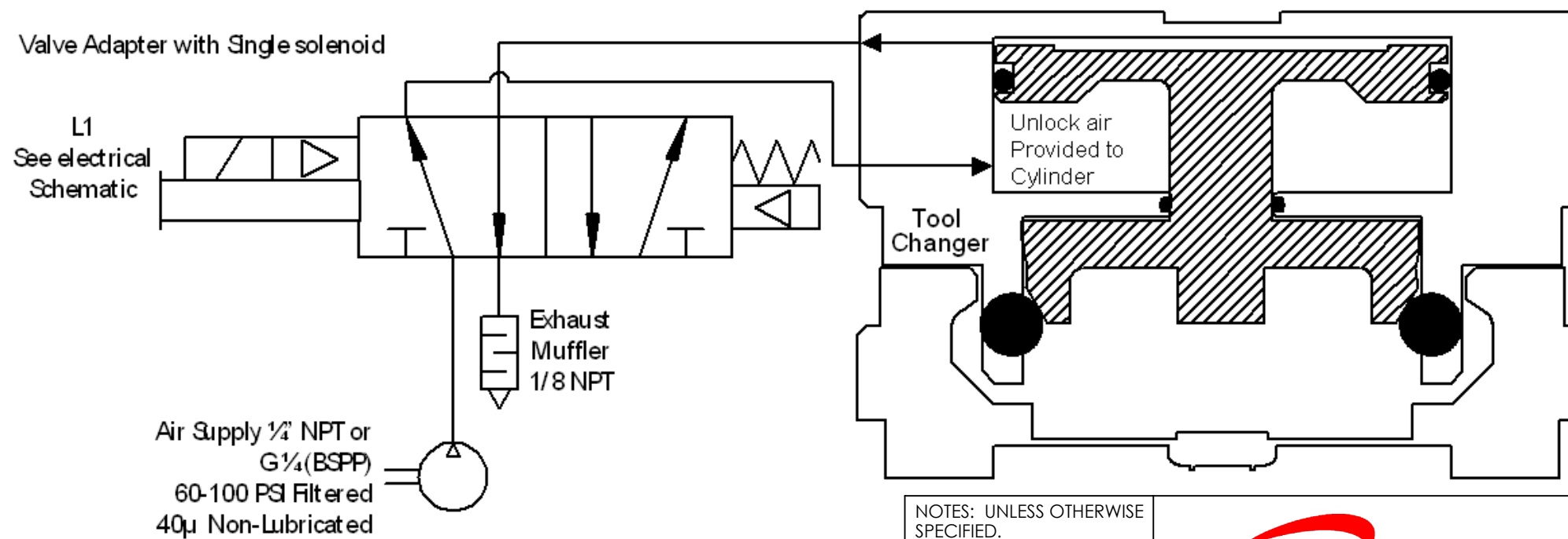
Single Solenoid De-energized, spring return to Locked state



Electrical Schematic



Single Solenoid Energized to Unlocked state



- Notes:**
1. The valve adapters utilize a single solenoid 5/2 valve. The valve requires supply voltage between 19-29V. The Valve CV is 1.1.
 2. The valve must be supplied clean, dry, non-lubricated air at 60 to 100 psi (4.1-6.9 Bar) and filtered at 40 microns or better. The valve will NOT operate correctly if insufficient air pressure is supplied.
 3. It is critical that the exhaust mufflers are not restricted. As part of a preventative maintenance program, periodically inspect and/or replace the exhaust mufflers.

NOTES: UNLESS OTHERWISE SPECIFIED.

DO NOT SCALE DRAWING. ALL DIMENSIONS ARE IN MILLIMETERS.



3rd ANGLE PROJECTION



1031 Goodworth Drive, Apex, NC 27539, USA
 Tel: +1.919.772.0115 Email: info@ati-ia.com
 Fax: +1.919.772.8259 www.ati-ia.com
 ISO 9001 Registered Company

PROPERTY OF ATI INDUSTRIAL AUTOMATION, INC. NOT TO BE REPRODUCED IN ANY MANNER EXCEPT ON ORDER OR WITH PRIOR WRITTEN AUTHORIZATION OF ATI.

DRAWN BY: J. Handy, 1/7/16		TITLE	
CHECKED BY: W Berrocal, 9/8/16		QC-310 Valve Adapter with Single Solenoid, Valve Pass Through	
PROJECT #	SHEET 3 OF 3	SCALE	REVISION
		1:5	04
DRAWING NUMBER		SIZE	
9630-20-Jxx Sing Sol Pas Thru QC310		B	