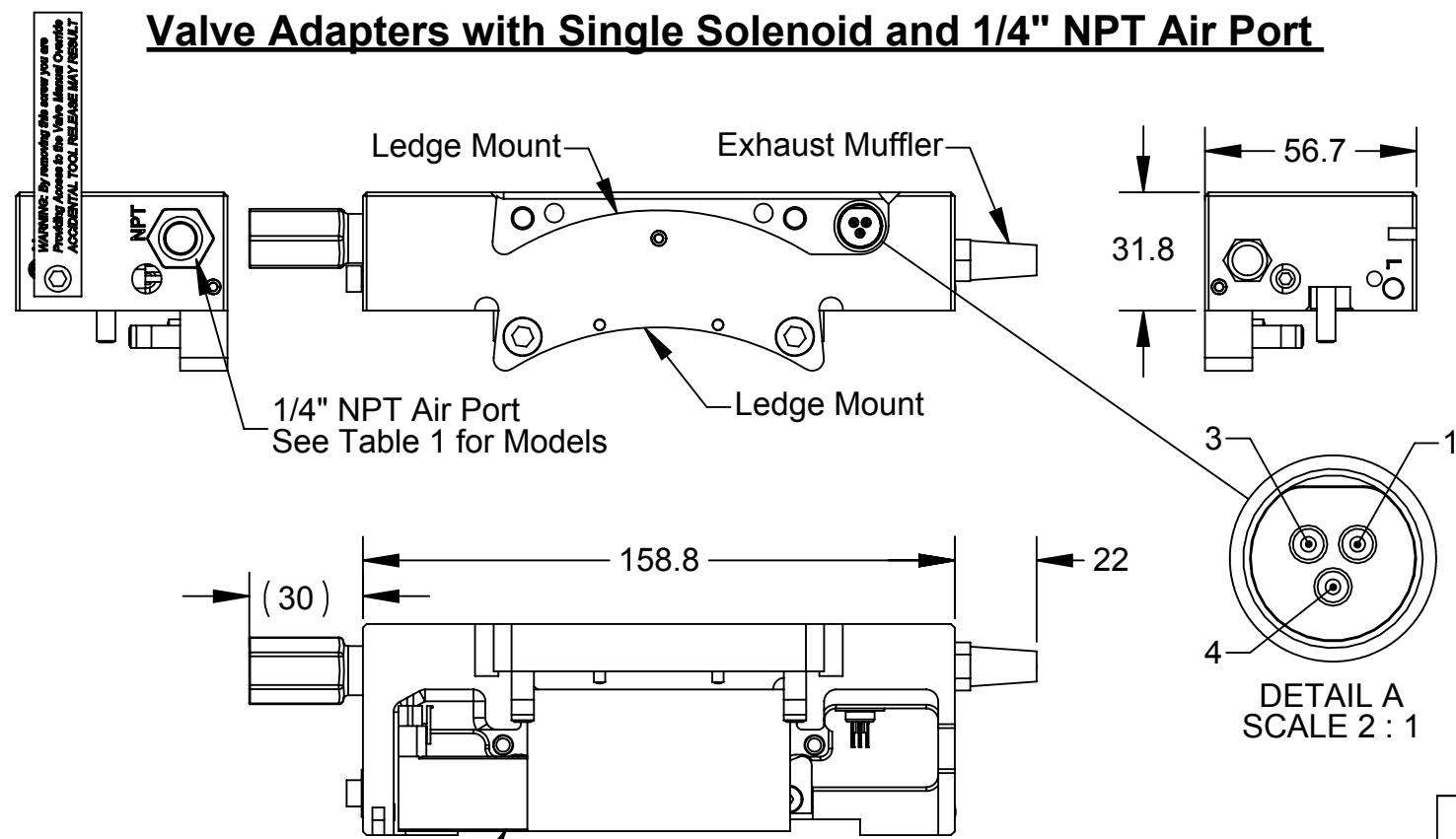


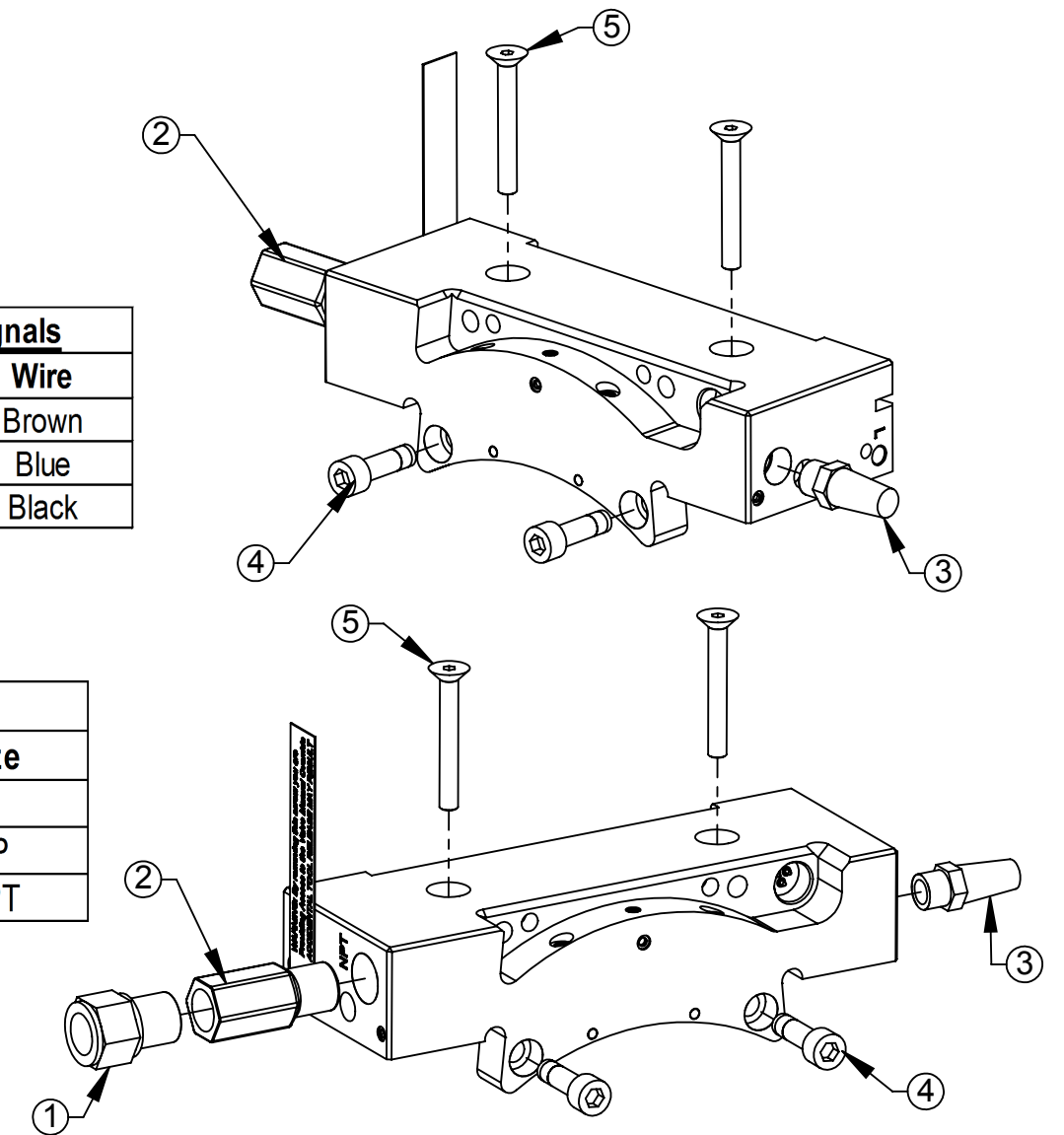
Rev.	Description	Initiator	Date
04	Eco 18901; Added Inline Filter 3490-0010005-01; Dims (50) was 14.3 and (59) was 28.9; Added DIM (30)	CF	4/13/2020

### Valve Adapters with Single Solenoid and 1/4" NPT Air Port



**Table 2: 3-Pin Valve Pin Block Signals**

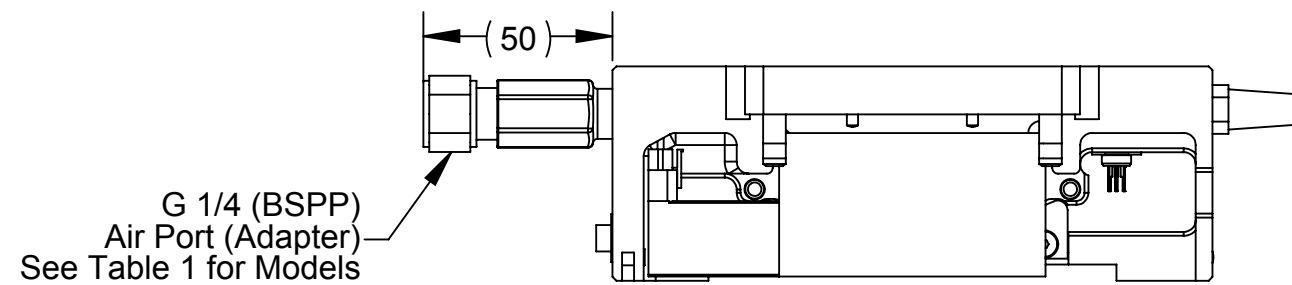
Pin	Signal	Wire
1	Unlatch (+19-29 VDC)	Brown
3	0 VDC	Blue
4	Latch (Not Used)	Black



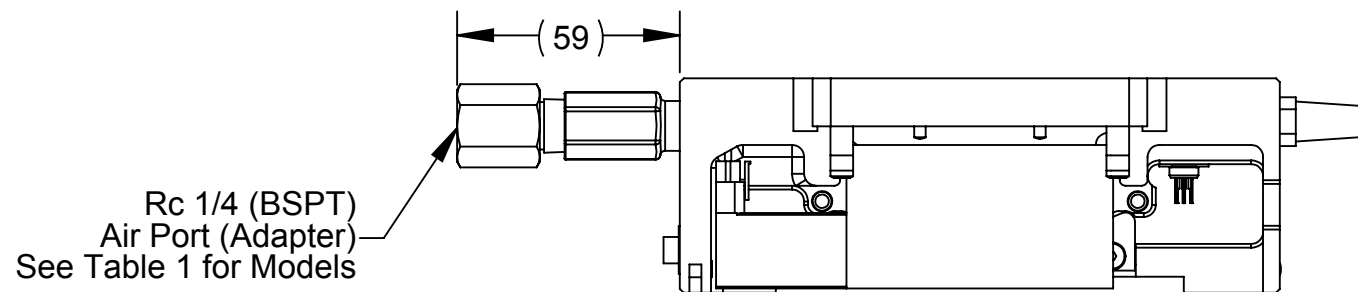
### Valve Adapters with Single Solenoids and G 1/4 (BSPP) Air Ports

**Table 1: Valve Adapter Port Size**

Valve Adapter Model	Air Port Size
9121-JR2-M	1/4" NPT
9121-JS2-M	G 1/4 BSPP
9121-JP6-M	Rc 1/4 BSPT



### Valve Adapters with Single Solenoids and RC 1/4 (BSPT) Air Ports

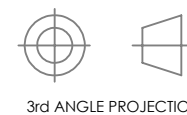


ITEM NO.	QTY	PART NUMBER	DESCRIPTION
1	1	3405-1030005-01	Fitting, Adapter, 1/4NPT to G1/4
	1	3405-1030008-01	Adapter, 1/4 NPT Male x Rc 1/4 Female
2	1	3490-0010005-01	Air Filter, 1/4 NPT Male X 1/4 NPT Female
3	1	3490-1010002-00	Conical Breather 1/8 NPT
4	2	3500-1066020-15A	M6-1 x 20mm SHCS, Blue, Pre-Applied
5	2	3500-1264040-15	M5 x 40mm SFHCS, Blue Dyed Magni-565

- Notes:
- Valve Adapter to Tool Changer mounting are shown on Sheet 2.
  - Pneumatic and Electrical Schematic are shown on Sheet 3.
  - Other models are covered in the 9620-20-C-Jxx Valve adapter with a Single Solenoid and Valve Pass Through manual.

NOTES: UNLESS OTHERWISE SPECIFIED.

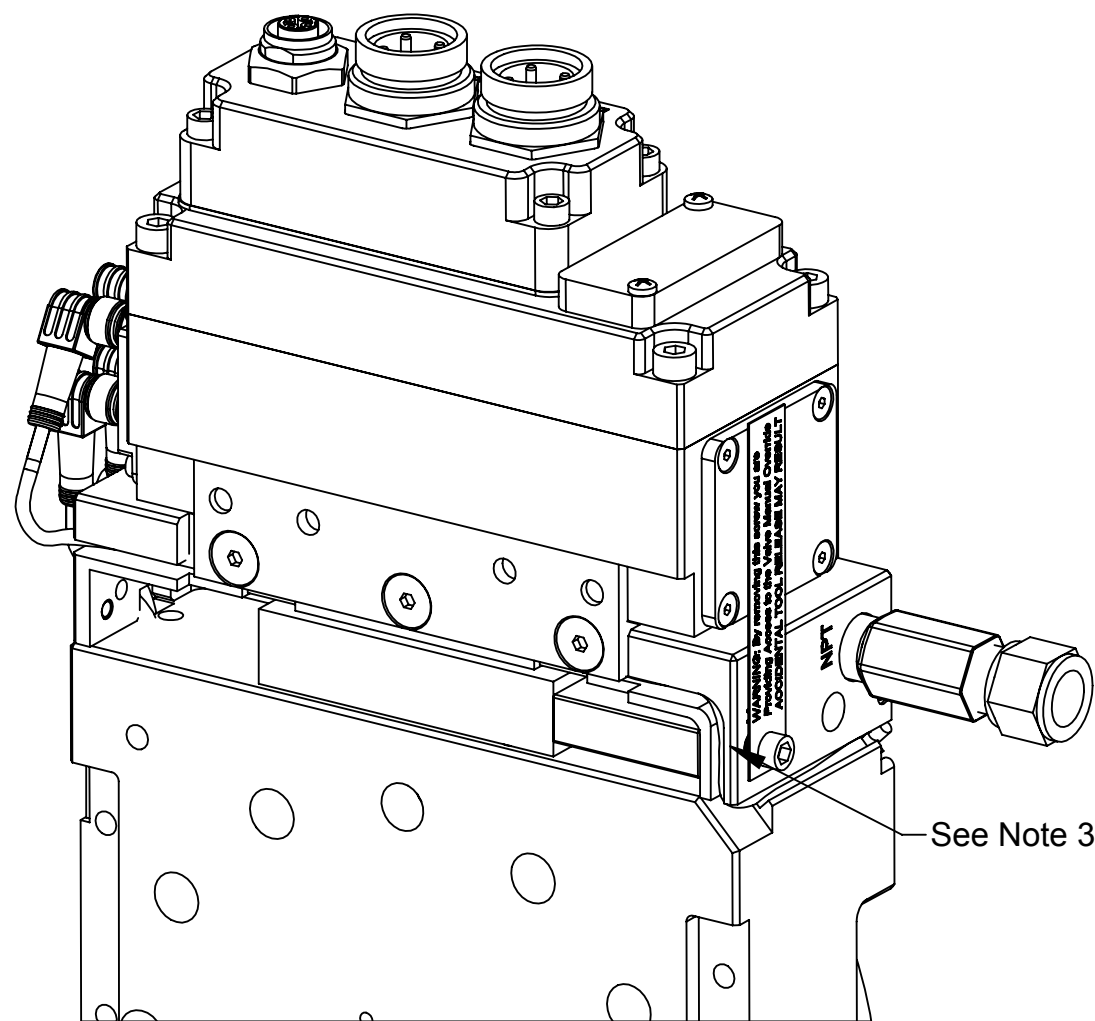
DO NOT SCALE DRAWING. ALL DIMENSIONS ARE IN MILLIMETERS.



1031 Goodworth Drive, Apex, NC 27539, USA  
 Tel: +1.919.772.0115 Email: info@ati-ia.com  
 Fax: +1.919.772.8259 www.ati-ia.com  
 ISO 9001 Registered Company

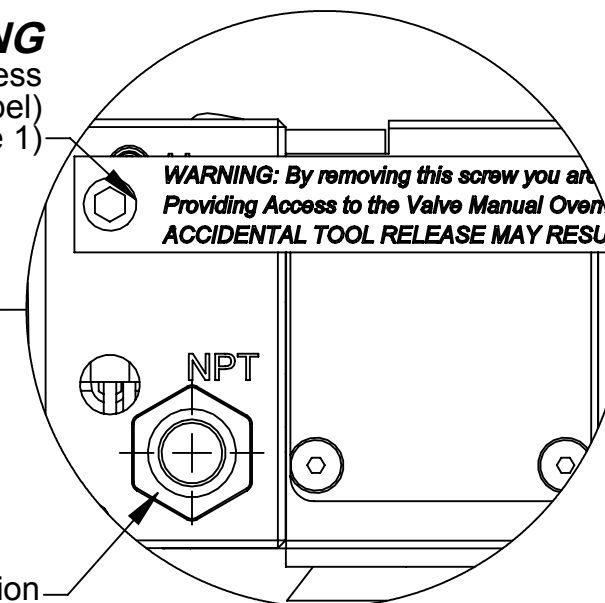
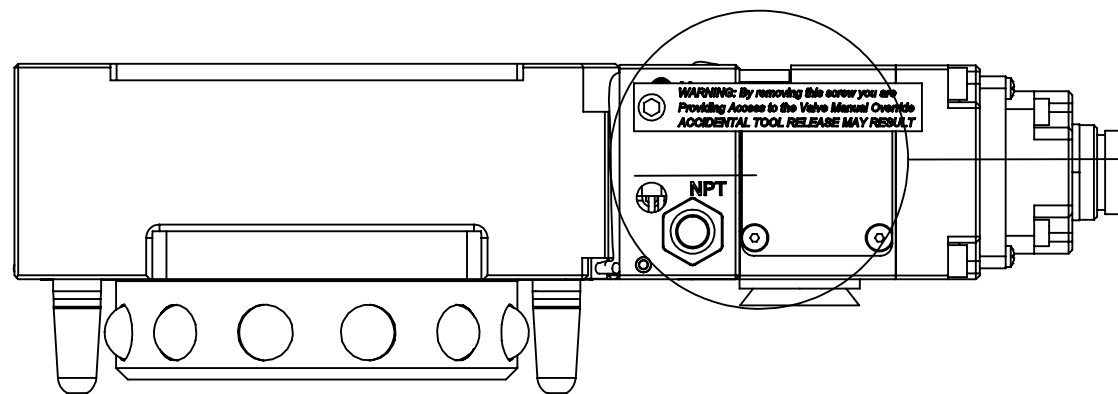
PROPERTY OF ATI INDUSTRIAL AUTOMATION, INC. NOT TO BE REPRODUCED IN ANY MANNER EXCEPT ON ORDER OR WITH PRIOR WRITTEN AUTHORIZATION OF ATI.

DRAWN BY: J. Handy, 1/7/16		TITLE	
CHECKED BY: W Berrocal, 9/9/16		QC-210 Single Solenoid Valve Adapters, Valve Pass Through	
PROJECT #	SHEET 1 OF 3	SCALE	SIZE
		1:2	B
DRAWING NUMBER		REVISION	
9630-20-Jxx Sing Sol Pas Thru QC210		04	



See Note 3

**WARNING**  
Unlatch Valve Manual Override Access  
(Supplied w/ Cover Screw and Warning Label)  
(See Note 1)

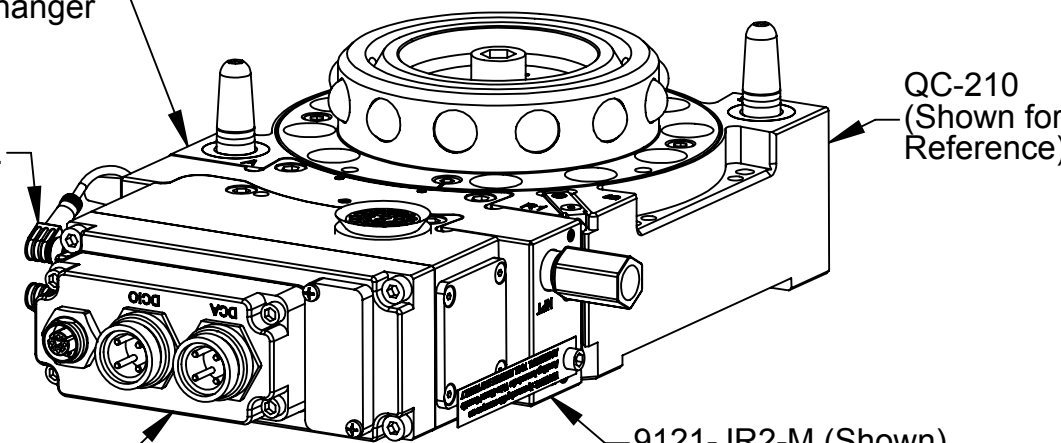


1/4 NPT Air Supply Connection  
(9121-JS2-M and 9121-JP6-M  
models supplied with adapter fitting)

DETAIL B  
SCALE 1 : 1

The valve adapter and  
control/signal module are mounted  
to Flat A on the Tool Changer

The Integrated Sensor Cables for Locked,  
Unlocked and Ready-to-Lock inputs are  
supplied with the base tool changer package.



QC-210  
(Shown for  
Reference)

Control/Signal Module with  
pass through valve connection

9121-JR2-M (Shown)

Notes:

1. **WARNING: Tool Release Will Occur with actuation of the Unlatch Valve Manual Override. Use of the valve manual override is restricted to contingency situations. The tool changer and associated tool should be in a stand or storage location prior to actuation of the manual override.**

**NOTICE: Actuation of valve override buttons requires very little travel (~1mm) and only a small amount of force. Applying excess force can damage the solenoid or cause override button to stick in one position. Use non-sharp object, similar to ball nose 2mm Allen key, to gently depress the override button; an air release should be heard when the solenoid is activated.**

- 2. The valve adapters with single solenoid are designed to mount to QC-113, QC-210, QC-213 Tool Changers and GL6L and GL7L Utility Couplers.
- 3. The valve adapters with single solenoid and valve pass through are designed to be integrated with specific models of control/signal modules with an integrated valve connector. The Valve Adapter provides routing for the ready to lock sensor cable from the Tool Changer or Utility Coupler to the control/signal module.

NOTES: UNLESS OTHERWISE SPECIFIED.

DO NOT SCALE DRAWING. ALL DIMENSIONS ARE IN MILLIMETERS.



3rd ANGLE PROJECTION

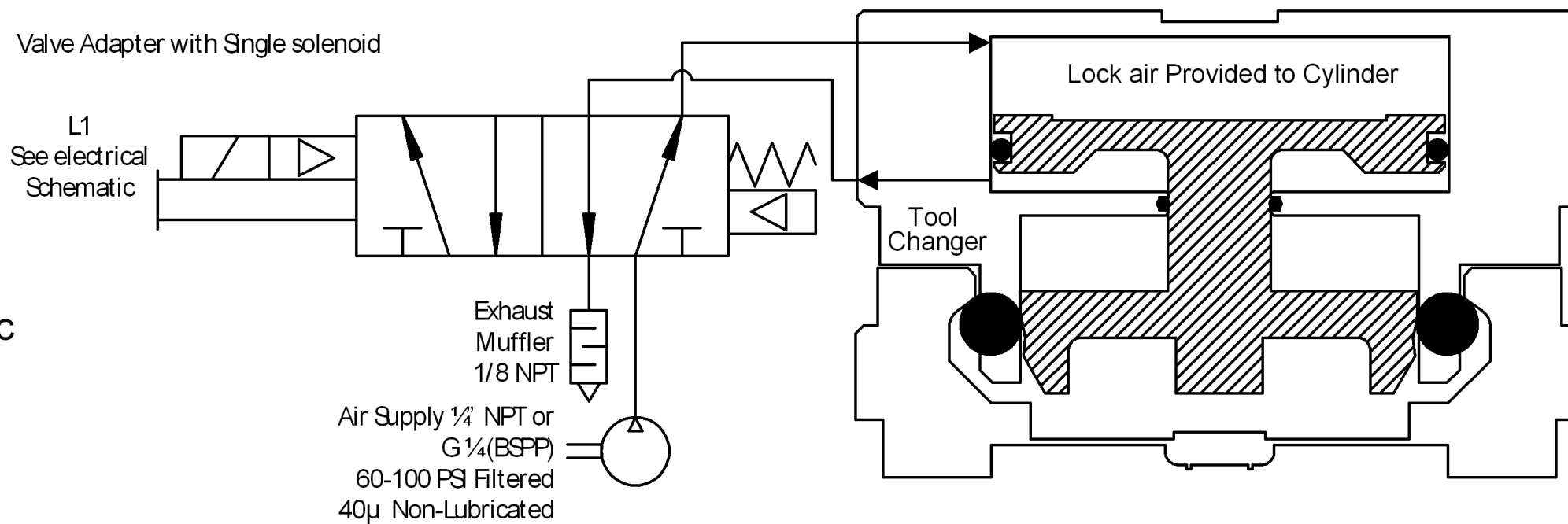


1031 Goodworth Drive, Apex, NC 27539, USA  
Tel: +1.919.772.0115 Email: info@ati-ia.com  
Fax: +1.919.772.8259 www.ati-ia.com  
ISO 9001 Registered Company

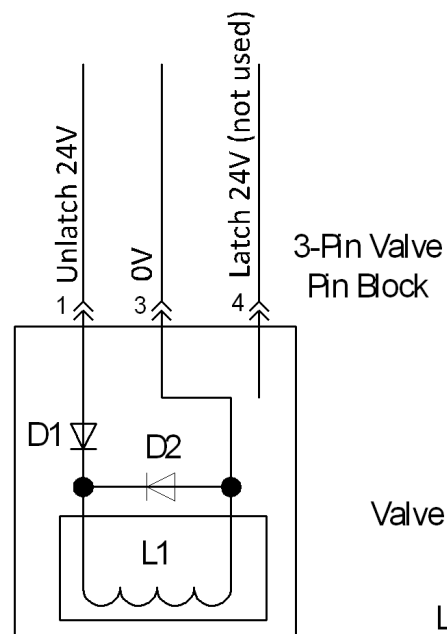
PROPERTY OF ATI INDUSTRIAL AUTOMATION, INC. NOT TO BE REPRODUCED IN ANY MANNER EXCEPT ON ORDER OR WITH PRIOR WRITTEN AUTHORIZATION OF ATI.

DRAWN BY: J. Handy, 1/7/16		TITLE	
CHECKED BY: W Berrocal, 9/9/16		QC-210 Single Solenoid Valve Adapters, Valve Pass Through	
PROJECT #	SHEET 2 OF 3	SCALE	REVISION
		1:2	04
		SIZE	DRAWING NUMBER
		B	9630-20-Jxx Sing Sol Pas Thru QC210

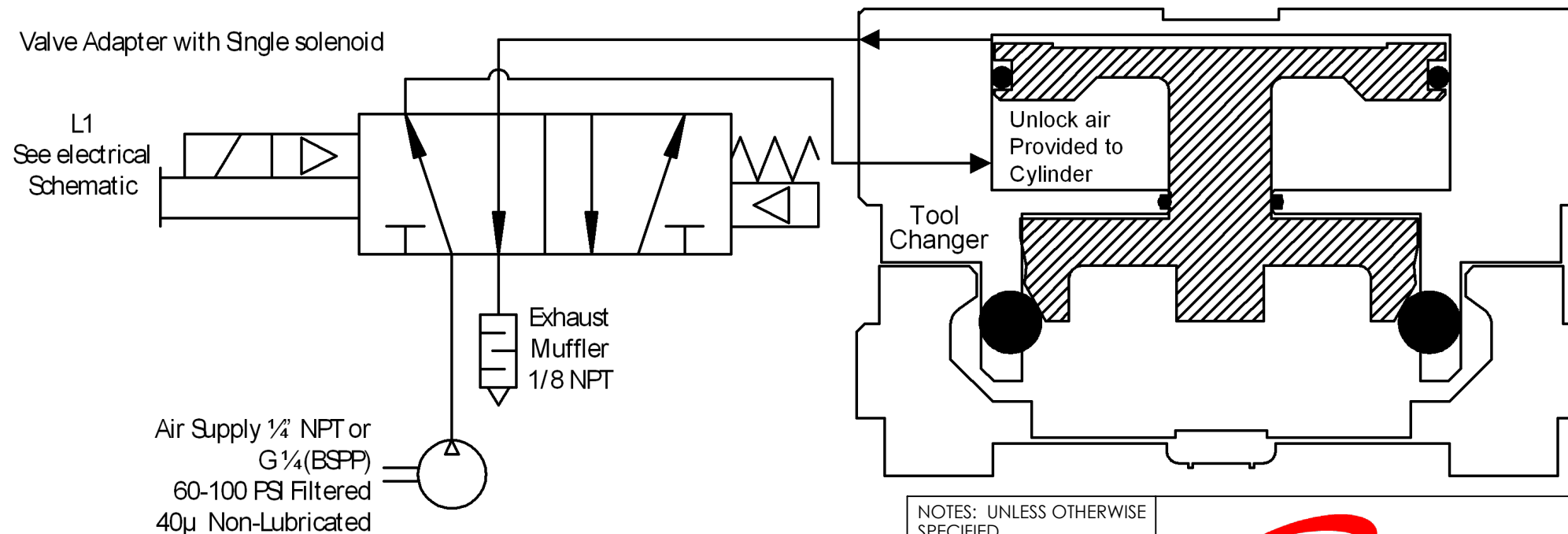
## Single Solenoid De-energized, spring return to Locked state



## Electrical Schematic



## Single Solenoid Energized to Unlocked state



- Notes:
1. The valve adapters utilize a single solenoid 5/2 valve. The valve requires supply voltage between 19-29V. The Valve CV is 1.1.
  2. The valve must be supplied clean, dry, non-lubricated air at 60 to 100 psi (4.1-6.9 Bar) and filtered at 40 microns or better. The valve will NOT operate correctly if insufficient air pressure is supplied.
  3. It is critical that the exhaust mufflers are not restricted. As part of a preventative maintenance program, periodically inspect and/or replace the exhaust mufflers.

NOTES: UNLESS OTHERWISE SPECIFIED.

DO NOT SCALE DRAWING. ALL DIMENSIONS ARE IN MILLIMETERS.



3rd ANGLE PROJECTION



1031 Goodworth Drive, Apex, NC 27539, USA  
 Tel: +1.919.772.0115 Email: info@ati-ia.com  
 Fax: +1.919.772.8259 www.ati-ia.com  
 ISO 9001 Registered Company

PROPERTY OF ATI INDUSTRIAL AUTOMATION, INC. NOT TO BE REPRODUCED IN ANY MANNER EXCEPT ON ORDER OR WITH PRIOR WRITTEN AUTHORIZATION OF ATI.

DRAWN BY: J. Handy, 1/7/16		TITLE		
CHECKED BY: W Berrocal, 9/9/16		QC-210 Single Solenoid Valve Adapters, Valve Pass Through		
PROJECT #	SHEET 3 OF 3	SCALE	SIZE	DRAWING NUMBER
		1:5	B	9630-20-Jxx Sing Sol Pas Thru QC210
				REVISION
				04