

Rev.	Description	Initiator	Date
03	Eco 18901; Added Air Filter 3490-0010005-01. Changed Dim 14.3 to (50). Added Dim (30).	CF	4/14/2020

Valve Adapters with Double Solenoid and 1/4" NPT Air Port

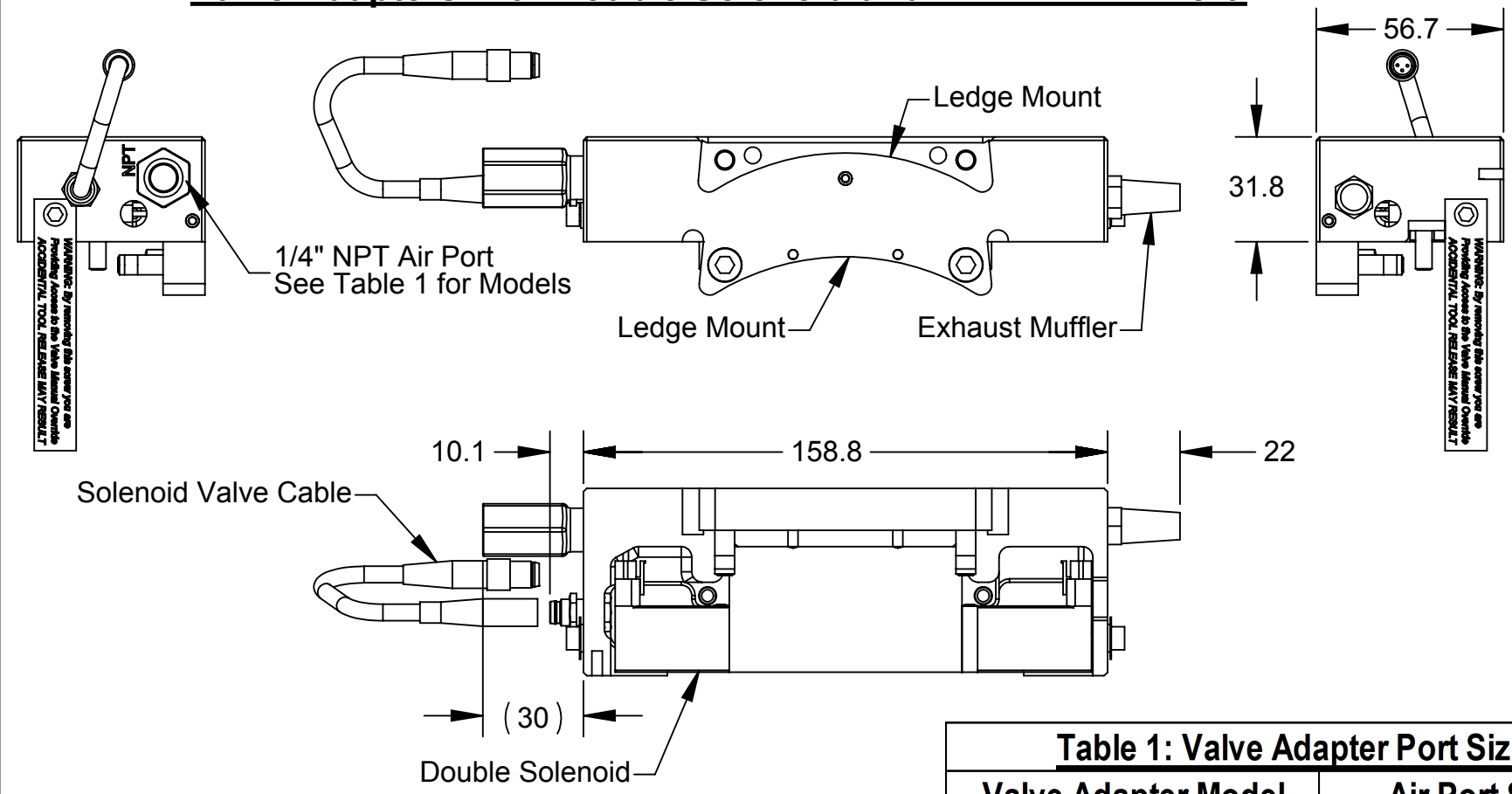
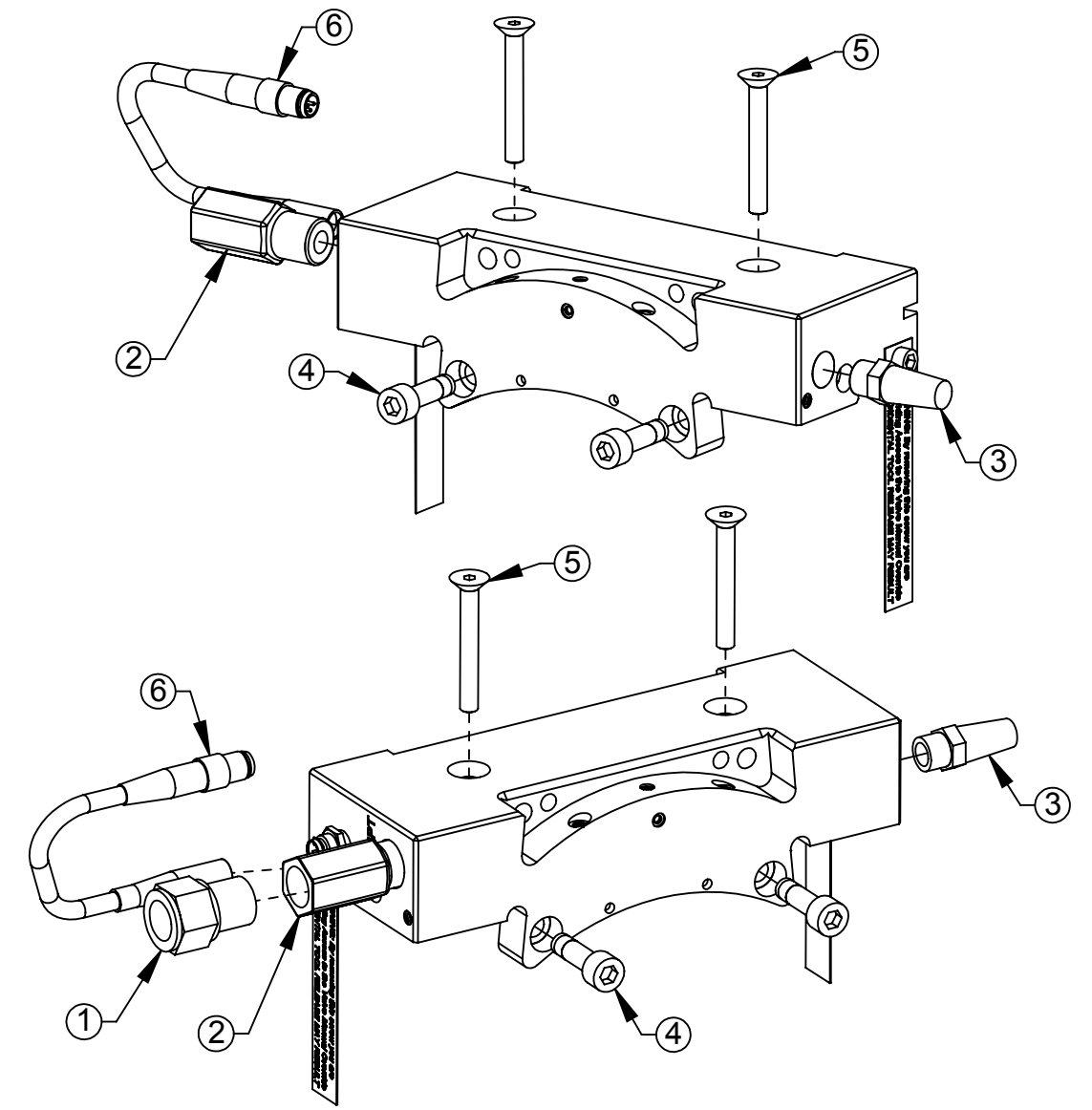
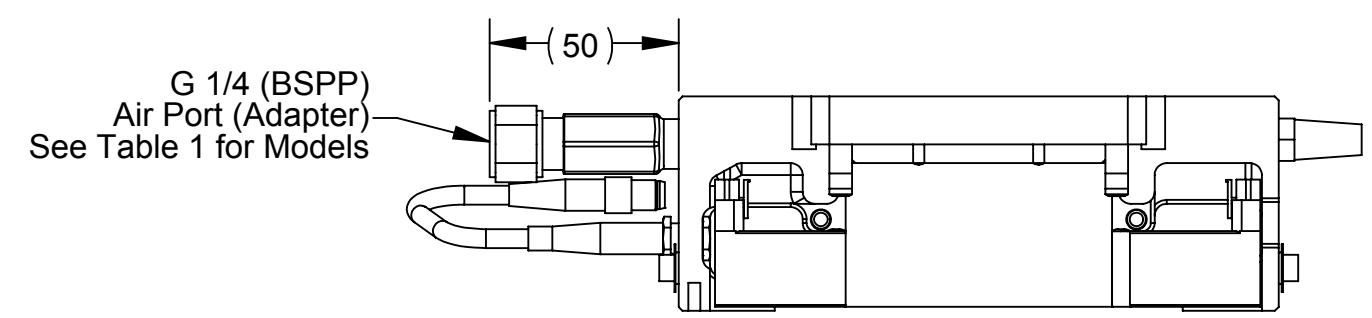


Table 1: Valve Adapter Port Size

Valve Adapter Model	Air Port Size
9121-JE2-M	1/4" NPT
9121-JF2-M	G 1/4 BSPP



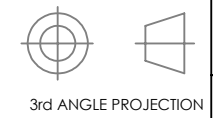
Valve Adapters with Single Solenoids and G 1/4 (BSPP) Air Ports



ITEM NO.	QTY	PART NUMBER	DESCRIPTION
1	1	3405-1030005-01	Fitting, Adapter, 1/4NPT to G1/4
2	1	3490-0010005-01	Air Filter, 1/4 NPT Male X 1/4 NPT Female
3	1	3490-1010002-00	Conical Breather 1/8 NPT
4	2	3500-1066020-15A	M6-1 x 20mm SHCS, Blue, Pre-Applied
5	2	3500-1264040-15	M5 x 40mm SFHCS, Blue Dyed Magni-565
6	1	9120-C-3PM-3PF-0016	3-Pin Pico Extension Cable, 0.16m Long

- Notes:
1. Valve Adapter to Tool Changer mounting and Valve Connector signals are shown on Sheet 2.
 2. Pneumatic and Electrical Schematic are shown on Sheet 3.
 3. Other models are covered in the 9620-20-C-Jxx Valve adapter with a Double Solenoid manual.

NOTES: UNLESS OTHERWISE SPECIFIED.
DO NOT SCALE DRAWING. ALL DIMENSIONS ARE IN MILLIMETERS.



1031 Goodworth Drive, Apex, NC 27539, USA
Tel: +1.919.772.0115 Email: info@ati-ia.com
Fax: +1.919.772.8259 www.ati-ia.com
ISO 9001 Registered Company

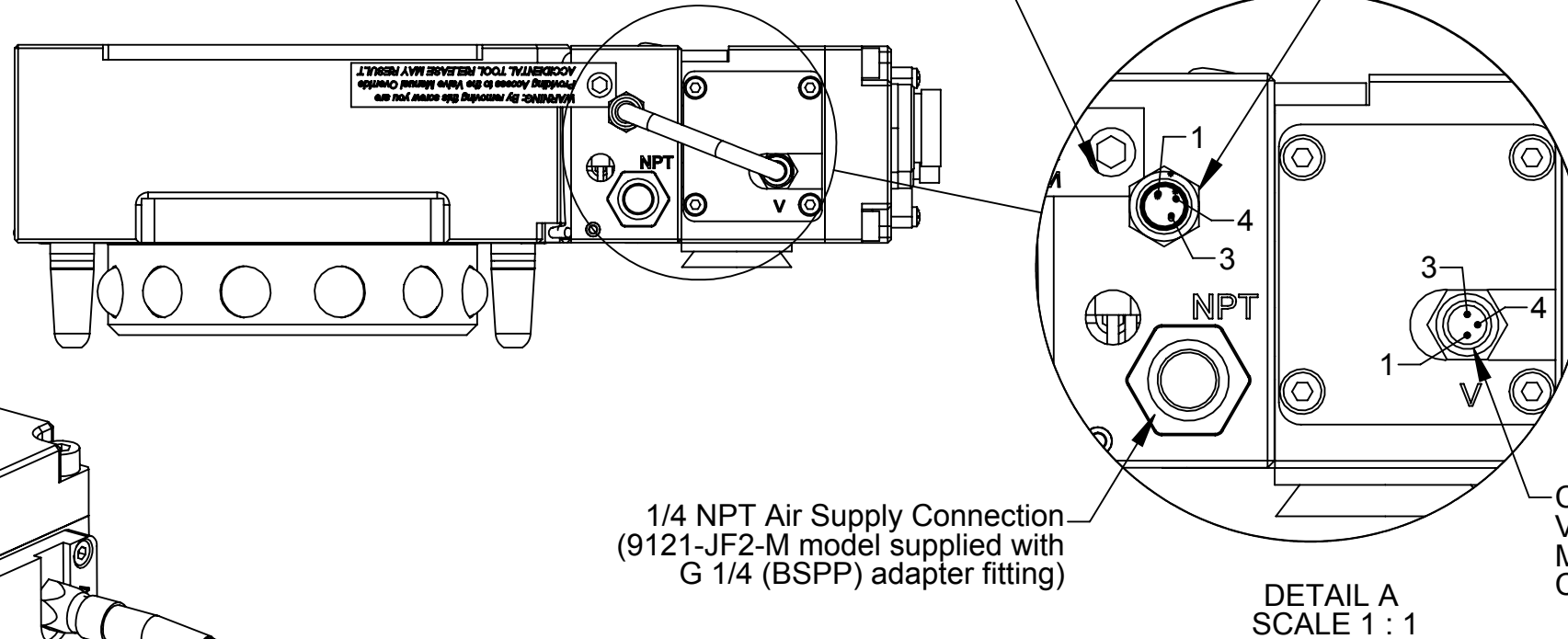
PROPERTY OF ATI INDUSTRIAL AUTOMATION, INC. NOT TO BE REPRODUCED IN ANY MANNER EXCEPT ON ORDER OR WITH PRIOR WRITTEN AUTHORIZATION OF ATI.

DRAWN BY: J. Handy, 9/8/16		TITLE	
CHECKED BY: W Berrocal, 9/9/16		QC-210 Valve Adapters w/ Double Solenoid	
PROJECT #	SHEET 1 OF 3	SCALE	SIZE
		1:2	B
DRAWING NUMBER		REVISION	
9630-20-Jxx Double Solenoid for QC-210		03	

WARNING
 Unlatch Valve Manual Override Access
 Latch Valve Manual Override Access (Other side)
 Supplied w/ Cover Screw and Warning Label
 (See Note 1)

9121-JE2-M
 Valve Connector
 M8, 3-Pin Male
Connector orientation not guaranteed
 Cable Not Shown (See Table 2)

Table 2: Valve Connector Signals		
Pin	Signal	Wire
1	Unlatch (+19-29 VDC)	Brown
3	0 VDC	Blue
4	Latch (+19-29 VDC)	Black



1/4 NPT Air Supply Connection
 (9121-JF2-M model supplied with
 G 1/4 (BSPF) adapter fitting)

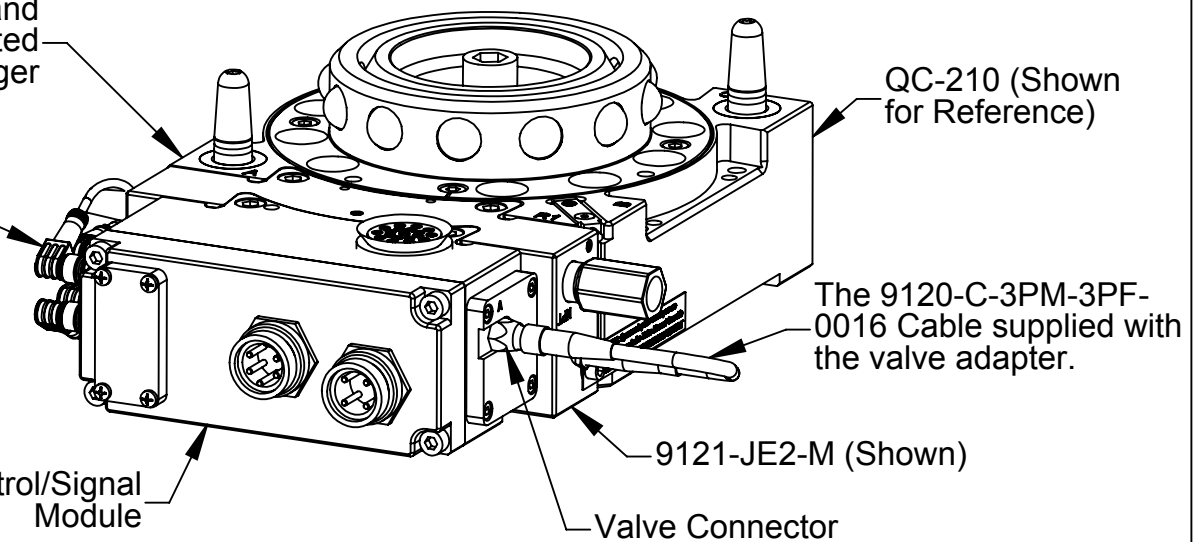
Control/Signal Module
 Valve Connector
 M8, 3-Pin Female
 Cable Not Shown (See Table 2)

DETAIL A
 SCALE 1 : 1

The valve adapter and
 control/signal module are mounted
 to Flat A on the Tool Changer

The Integrated Sensor Cables for Locked,
 Unlocked and Ready-to-Lock inputs are
 supplied with the base tool changer package.

See Note 3



Control/Signal
 Module

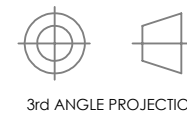
Notes:
 1. **WARNING: Tool Release Will Occur with actuation of the Unlatch Valve Manual Override. Use of the valve manual override is restricted to contingency situations. The tool changer and associated tool should be in a stand or storage location prior to actuation of the manual override.**

NOTICE: Actuation of valve override buttons requires very little travel (~1mm) and only a small amount of force. Applying excess force can damage the solenoid or cause override button to stick in one position. Use non-sharp object, similar to ball nose 2mm Allen key, to gently depress the override button; an air release should be heard when the solenoid is activated.

2. The valve adapters with double solenoid are designed to mount to QC-113, QC-210, QC-213 Tool Changers and GL6L and GL7L Utility Couplers.
 3. The valve adapters with double solenoid are designed to be integrated with specific models of control/signal modules with a valve connector and provide routing for the ready to lock sensor cable from the Tool Changer or Utility Coupler to the control/signal module.

NOTES: UNLESS OTHERWISE SPECIFIED.

DO NOT SCALE DRAWING. ALL DIMENSIONS ARE IN MILLIMETERS.

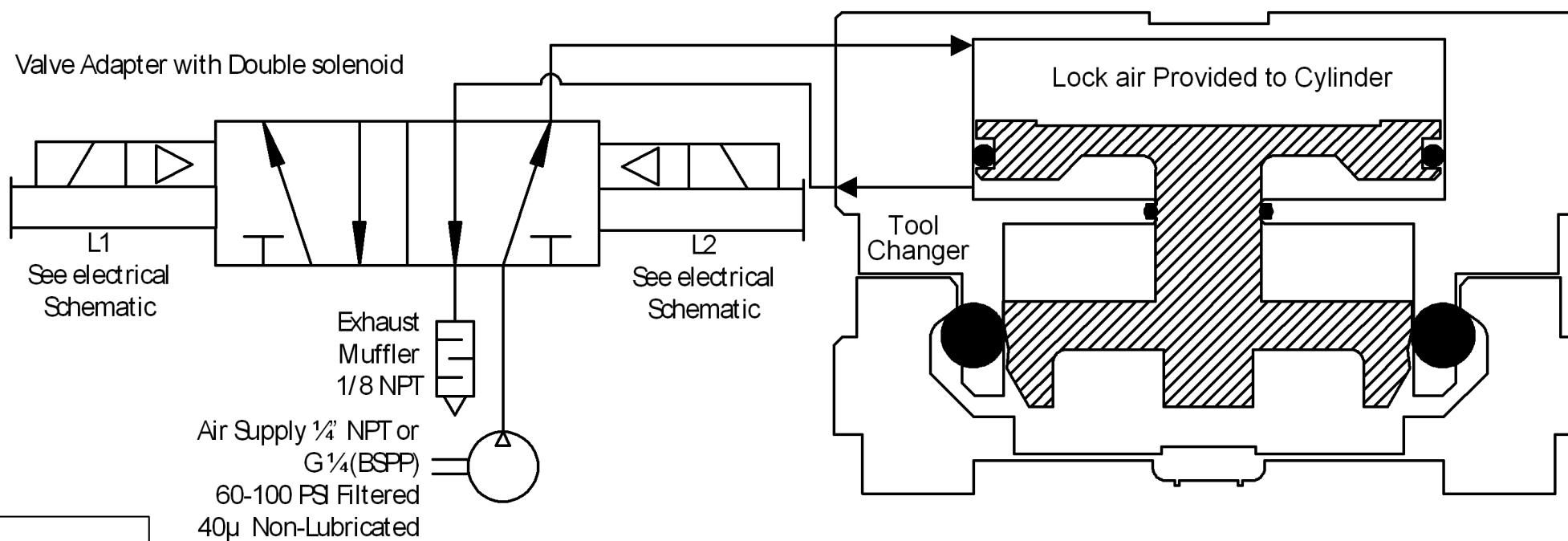


1031 Goodworth Drive, Apex, NC 27539, USA
 Tel: +1.919.772.0115 Email: info@ati-ia.com
 Fax: +1.919.772.8259 www.ati-ia.com
 ISO 9001 Registered Company

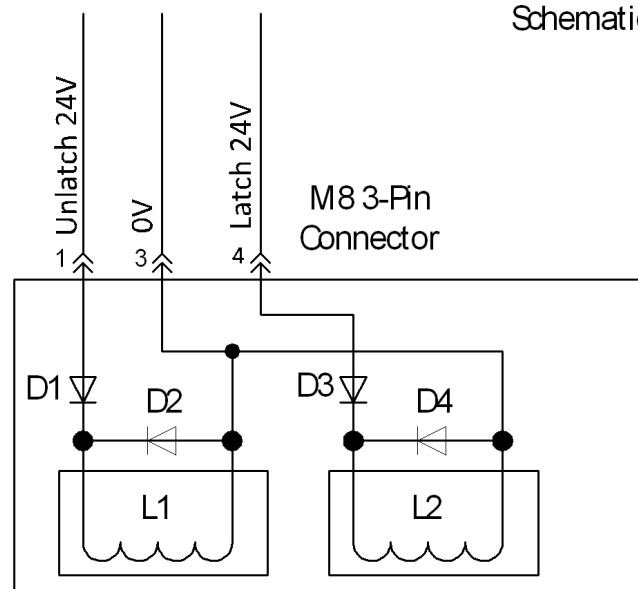
PROPERTY OF ATI INDUSTRIAL AUTOMATION, INC. NOT TO BE REPRODUCED IN ANY MANNER EXCEPT ON ORDER OR WITH PRIOR WRITTEN AUTHORIZATION OF ATI.

DRAWN BY: J. Handy, 9/8/16		TITLE		
CHECKED BY: W Berrocal, 9/9/16		QC-210 Valve Adapters w/ Double Solenoid		
PROJECT #	SHEET 2 OF 3	SCALE	SIZE	DRAWING NUMBER
		1:2	B	9630-20-Jxx Double Solenoid for QC-210
				REVISION
				03

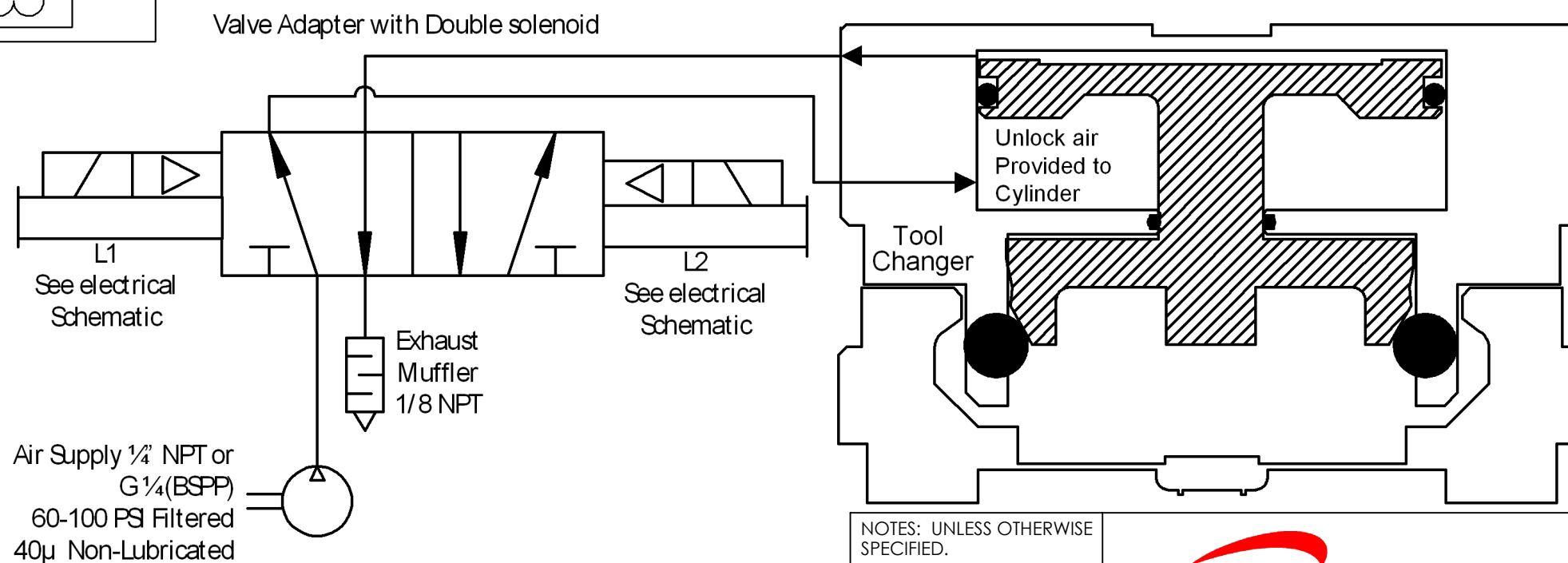
Double Solenoid shown with Energized Lock Solenoid (L2)



Electrical Schematic



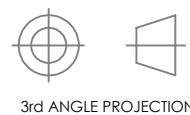
Double Solenoid shown with Energized Unlock Solenoid (L1)



- Notes:
1. The valve adapters utilize a double solenoid 5/2 valve. The valve requires supply voltage between 19-29V. The Valve CV is 1.1.
 2. The valve must be supplied clean, dry, non-lubricated air at 60 to 100 psi (4.1-6.9 Bar) and filtered at 40 microns or better. The valve will NOT operate correctly if insufficient air pressure is supplied.
 3. It is critical that the exhaust mufflers are not restricted. As part of a preventative maintenance program, periodically inspect and/or replace the exhaust mufflers.

NOTES: UNLESS OTHERWISE SPECIFIED.

DO NOT SCALE DRAWING. ALL DIMENSIONS ARE IN MILLIMETERS.



1031 Goodworth Drive, Apex, NC 27539, USA
 Tel: +1.919.772.0115 Email: info@ati-ia.com
 Fax: +1.919.772.8259 www.ati-ia.com
 ISO 9001 Registered Company

PROPERTY OF ATI INDUSTRIAL AUTOMATION, INC. NOT TO BE REPRODUCED IN ANY MANNER EXCEPT ON ORDER OR WITH PRIOR WRITTEN AUTHORIZATION OF ATI.

DRAWN BY: J. Handy, 9/8/16		TITLE		
CHECKED BY: W Berrocal, 9/9/16		QC-210 Valve Adapters w/ Double Solenoid		
PROJECT #	SHEET 3 OF 3	SCALE	SIZE	DRAWING NUMBER
		1:5	B	9630-20-Jxx Double Solenoid for QC-210
				REVISION
				03