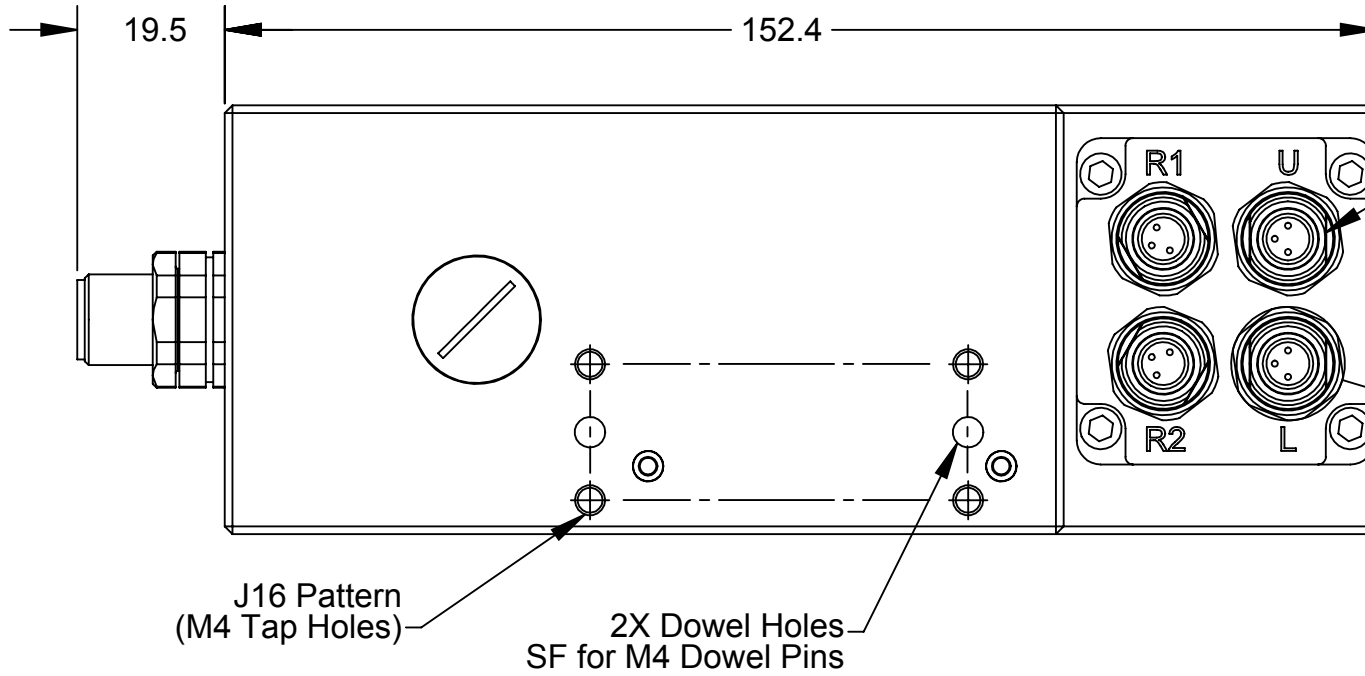
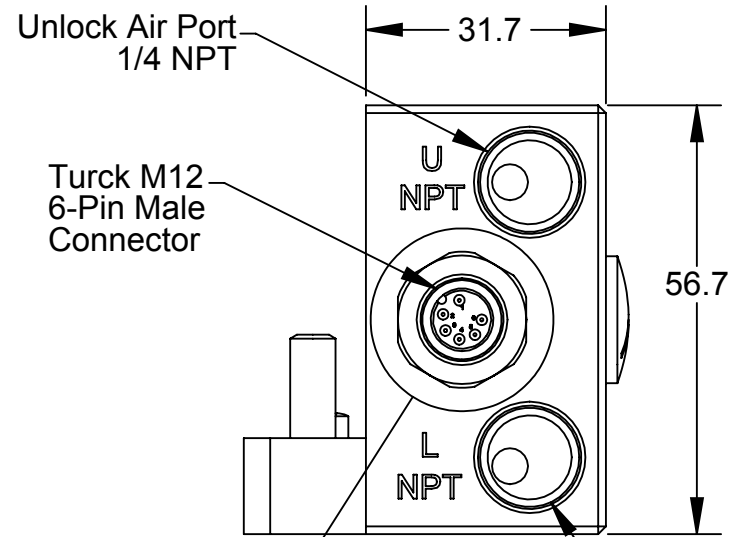
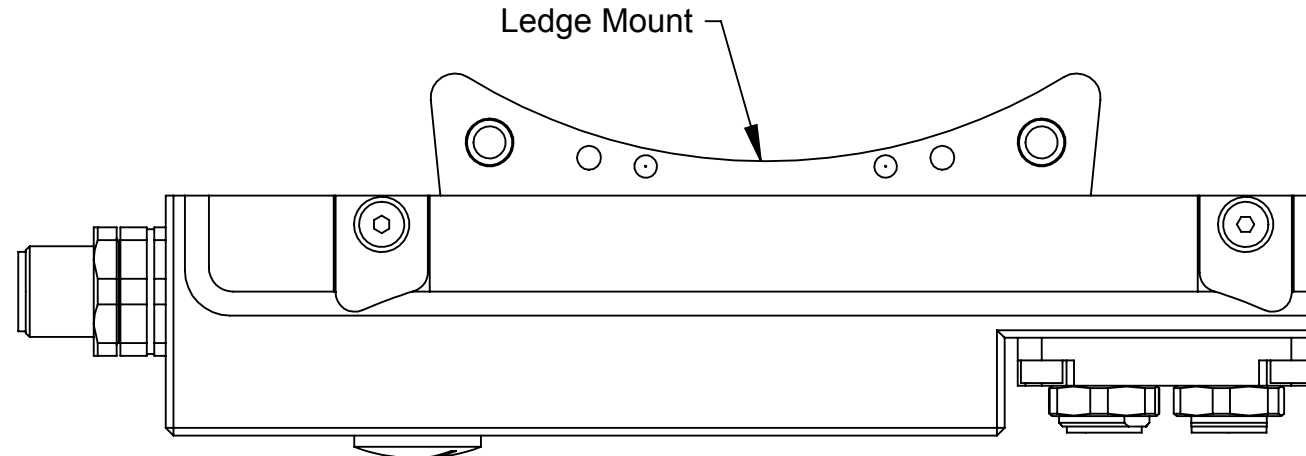
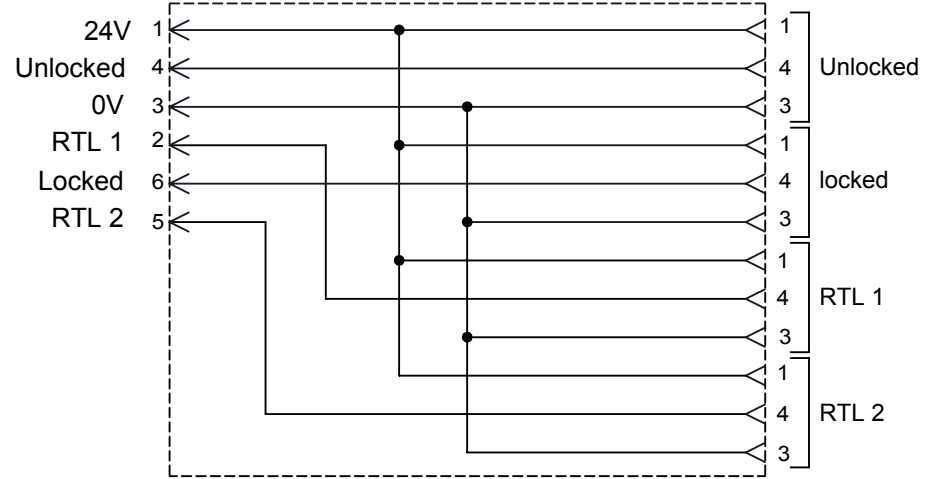


Rev.	Description	Initiator	Date
04	Eco 11744; Rotated Lock/Unlock Port engravings.	LJH	4/23/14

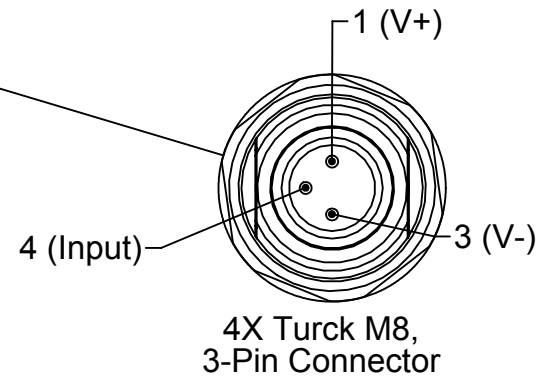
M12, 6-Pin Connector

Electrical Wiring Schematic

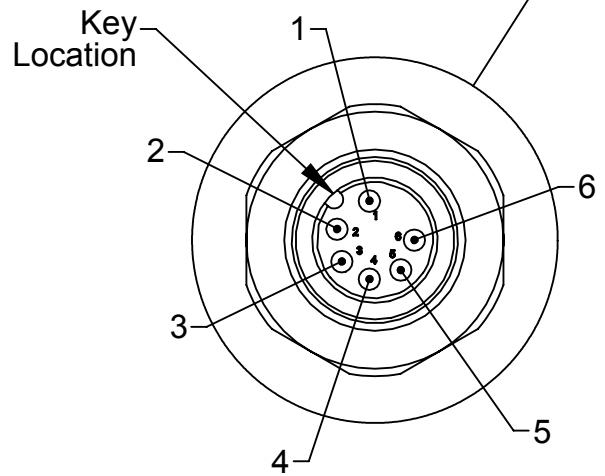
M8, 3-Pin Connectors



Sensor inputs for QC, Turck M8, 3-Pin Female Connector



DETAIL B SCALE 2 : 1

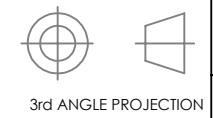


DETAIL A SCALE 2 : 1

Signal	M12 Connector
24V+	Pin-1
V-	Pin-3
Unlocked	Pin-4
Locked	Pin-6
RTL1	Pin-2
RTL2	Pin-5

NOTES: UNLESS OTHERWISE SPECIFIED.

DO NOT SCALE DRAWING. ALL DIMENSIONS ARE IN MILLIMETERS.



1031 Goodworth Drive, Apex, NC 27539, USA
 Tel: +1.919.772.0115 Email: info@ati-ia.com
 Fax: +1.919.772.8259 www.ati-ia.com
 ISO 9001 Registered Company

PROPERTY OF ATI INDUSTRIAL AUTOMATION, INC. NOT TO BE REPRODUCED IN ANY MANNER EXCEPT ON ORDER OR WITH PRIOR WRITTEN AUTHORIZATION OF ATI.

DRAWN BY: P.Luczka, 9/27/10		TITLE	
CHECKED BY: W.Berrocal, 9/29/11		Lock/Unlock Air Adapter, NPT, QC-210, W/ Lock/Unlock/RTL, Potted	
PROJECT #	100702-4	SHEET	1 OF 1
SCALE	1:1	SIZE	B
DRAWING NUMBER	9630-20-JB9	REVISION	04