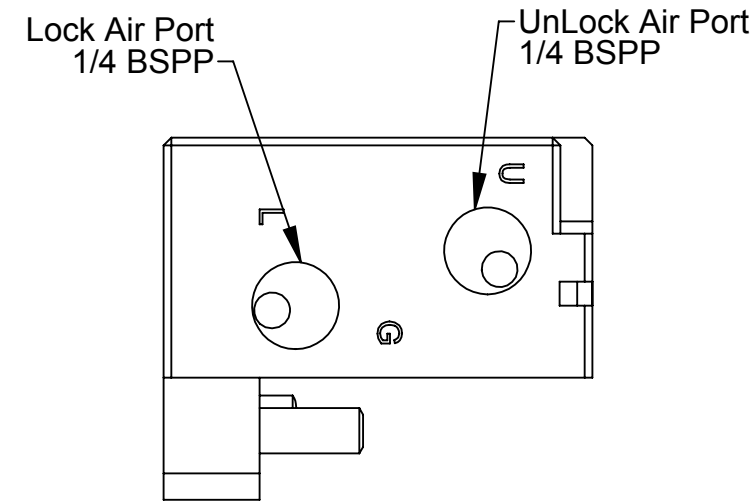
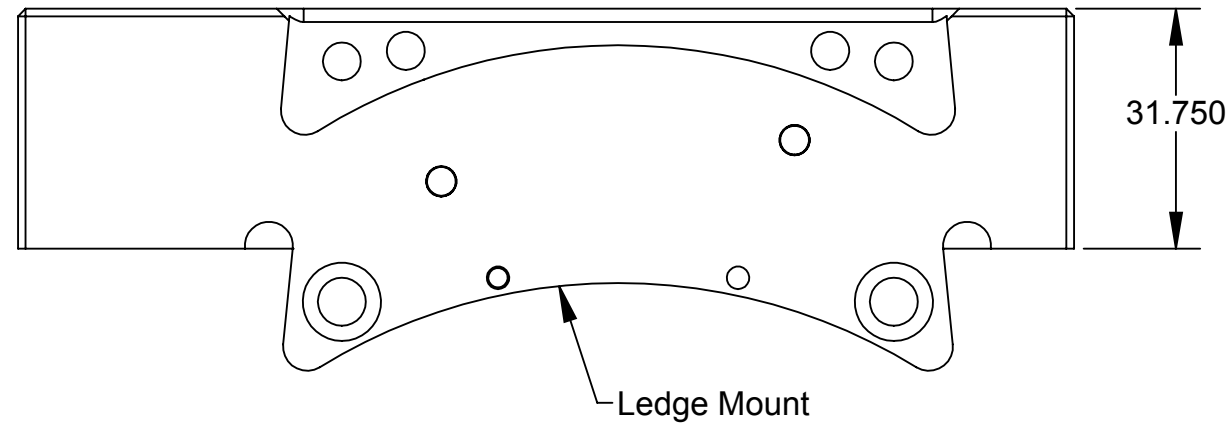
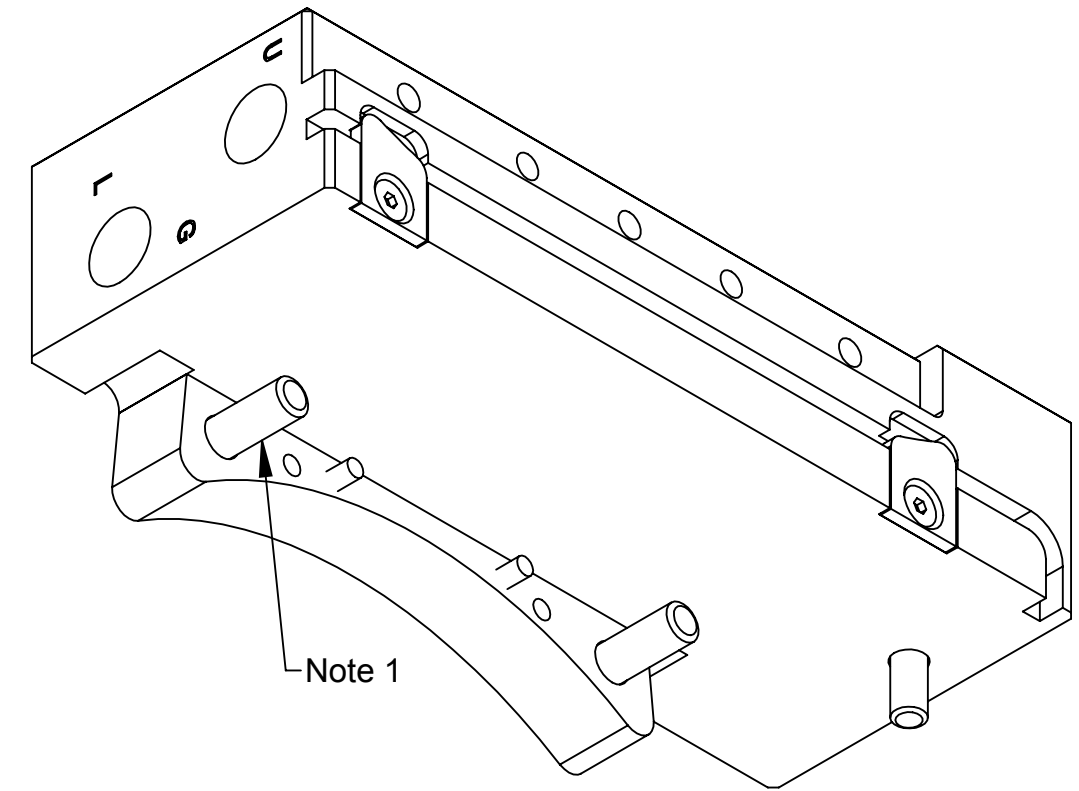
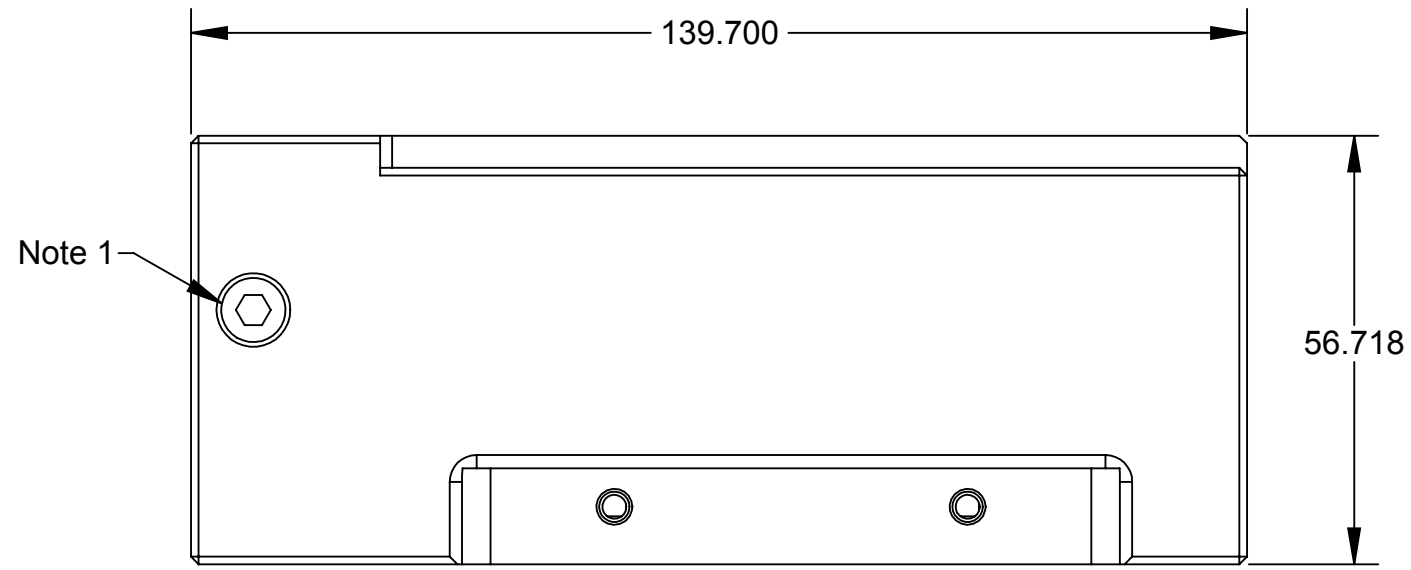


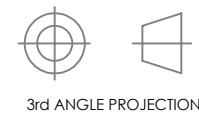
Rev.	Description	Initiator	Date
01	Initial Release	PDL	9/2/2011



Notes:  
 1. If Placing on QC, refer to work instructions. If placing into inventory, bag dry loose fasteners.

NOTES: UNLESS OTHERWISE SPECIFIED.

DO NOT SCALE DRAWING. ALL DIMENSIONS ARE IN MILLIMETERS.



1031 Goodworth Drive, Apex, NC 27539, USA  
 Tel: +1.919.772.0115 Email: info@ati-ia.com  
 Fax: +1.919.772.8259 www.ati-ia.com  
 ISO 9001 Registered Company

PROPERTY OF ATI INDUSTRIAL AUTOMATION, INC. NOT TO BE REPRODUCED IN ANY MANNER EXCEPT ON ORDER OR WITH PRIOR WRITTEN AUTHORIZATION OF ATI.

DRAWN BY: P.Luczka, 12/28/10		TITLE	
CHECKED BY: A.Takla, 4/22/14		Master Lock/Unlock Air Adapter, G QC-210 W/ Reversed Air Ports	
PROJECT # 100702-4	SHEET 1 OF 1	SCALE 1:1	SIZE B
		DRAWING NUMBER 9630-20-JB8	REVISION 01