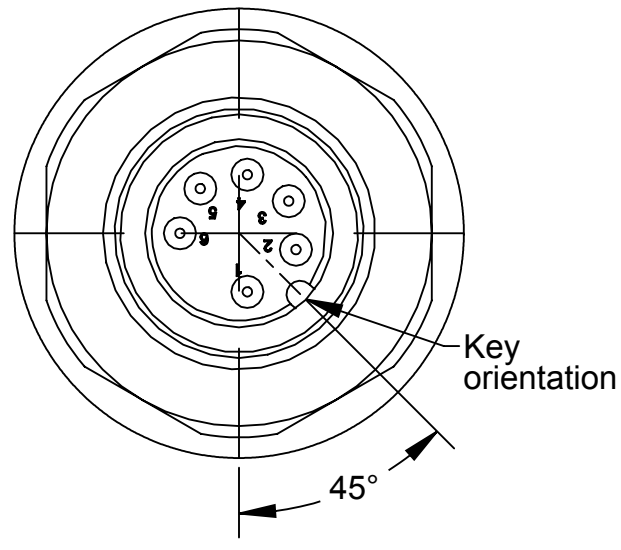
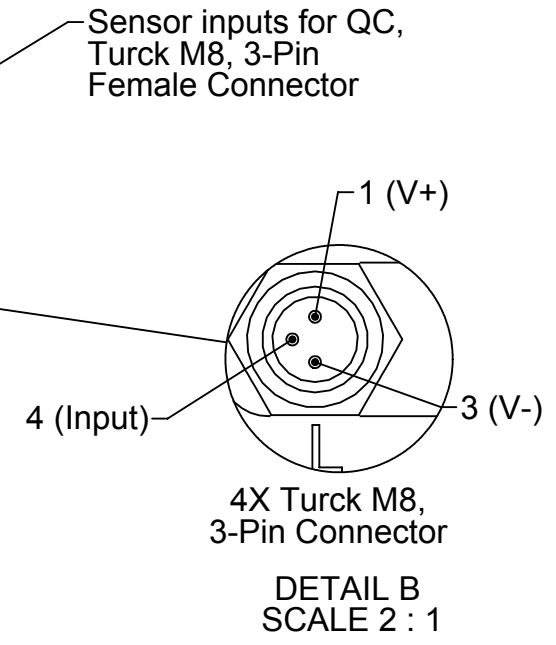
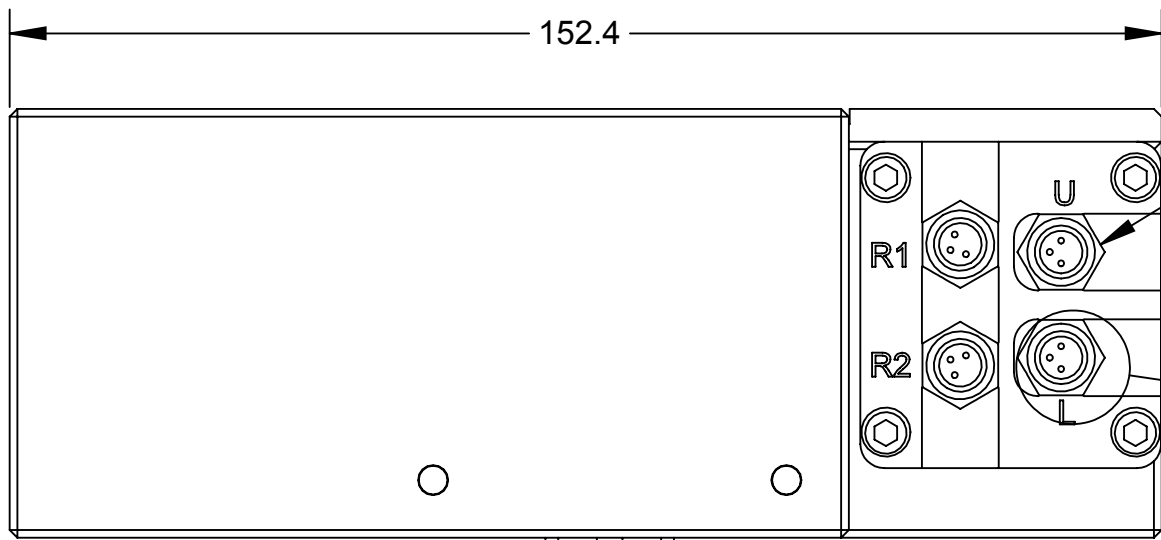
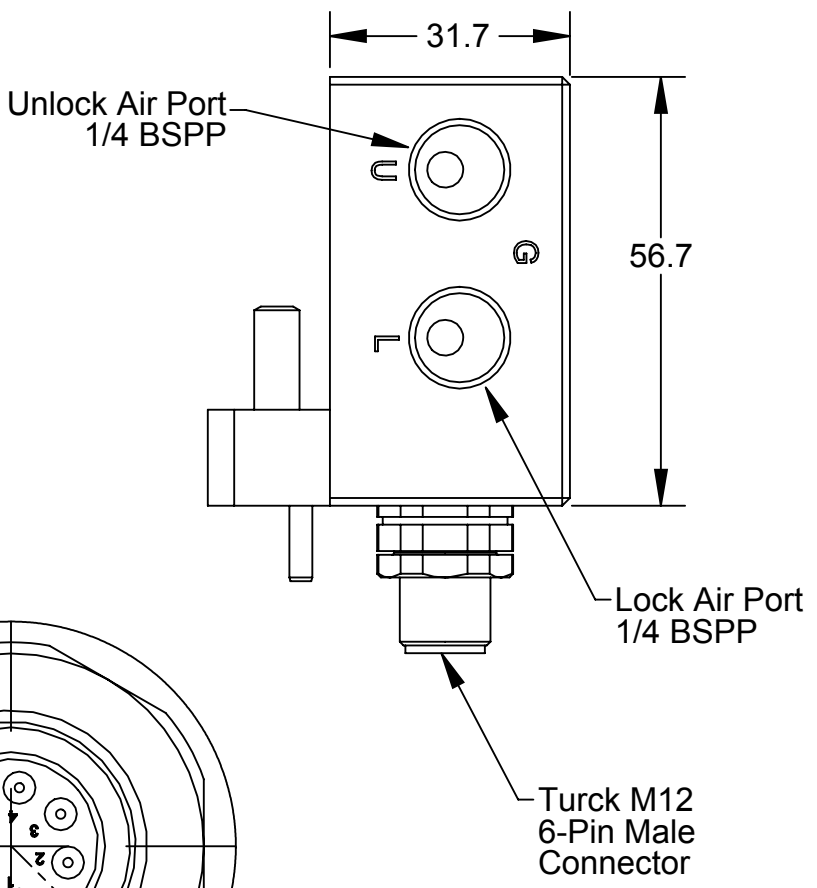
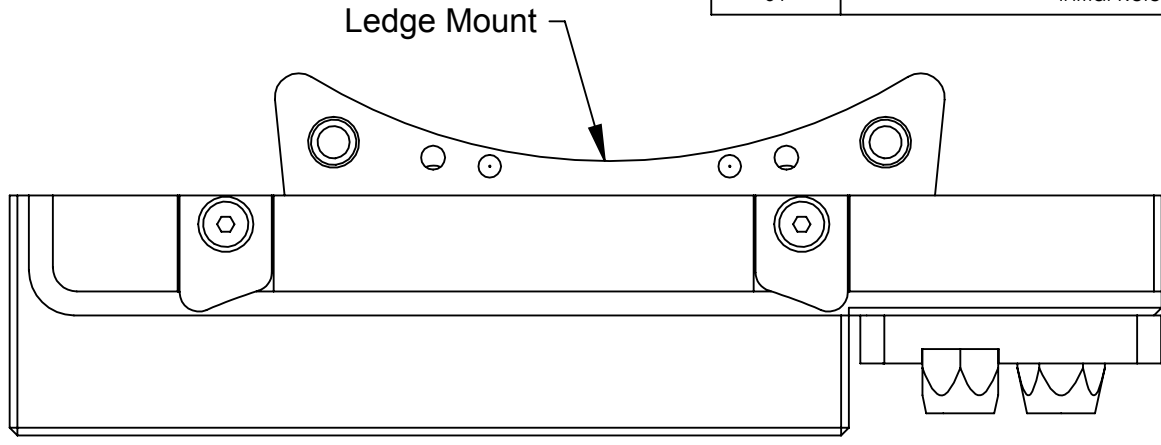
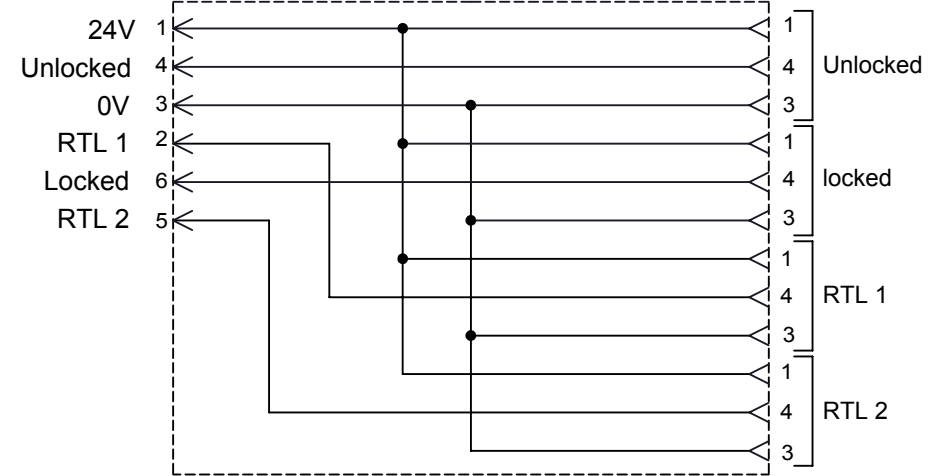


M12, 6-Pin Connector

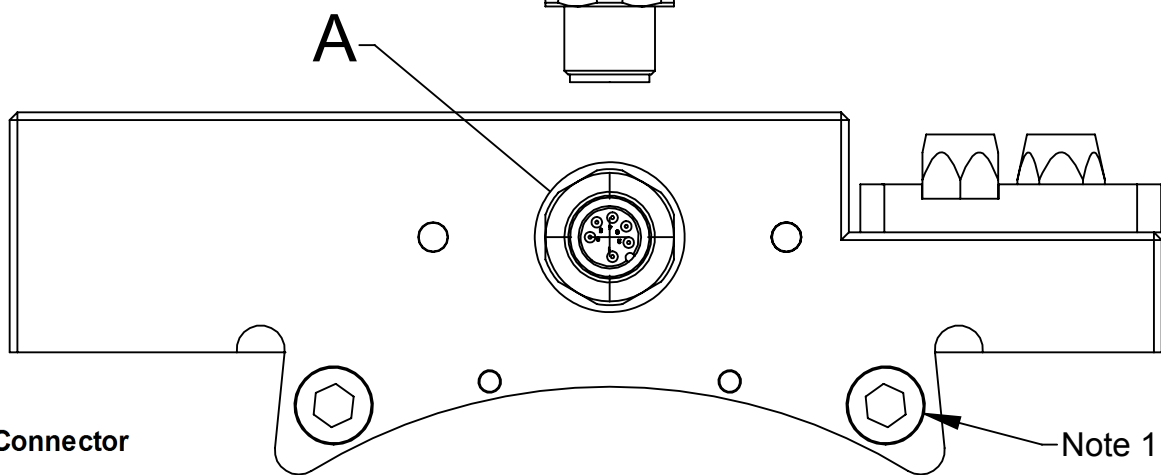
Electrical Wiring Schematic

M8, 3-Pin Connectors

Rev.	Description	Initiator	Date
01	Initial Release	PDL	4/18/14



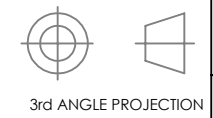
Signal	M12 Connector
24V+	Pin-1
V-	Pin-3
Unlocked	Pin-4
Locked	Pin-6
RTL1	Pin-2
RTL2	Pin-5



Notes:
1. If Placing on QC, refer to work instructions. If placing into inventory, bag dry loose fasteners.

NOTES: UNLESS OTHERWISE SPECIFIED.

DO NOT SCALE DRAWING. ALL DIMENSIONS ARE IN MILLIMETERS.



1031 Goodworth Drive, Apex, NC 27539, USA
Tel: +1.919.772.0115 Email: info@ati-ia.com
Fax: +1.919.772.8259 www.ati-ia.com
ISO 9001 Registered Company

PROPERTY OF ATI INDUSTRIAL AUTOMATION, INC. NOT TO BE REPRODUCED IN ANY MANNER EXCEPT ON ORDER OR WITH PRIOR WRITTEN AUTHORIZATION OF ATI.

DRAWN BY: P.Luczka 9/27/10		TITLE	
CHECKED BY: A.Takla, 4/22/14		Lock/Unlock Air Adapter, G, QC-210, W/ Lock/Unlock/RTL, RoHS, Potted	
PROJECT # 100702-4	SHEET 1 OF 1	SCALE 1:1	SIZE B
DRAWING NUMBER 9630-20-JB7		REVISION 01	