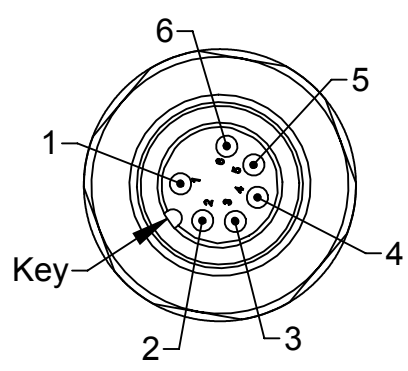
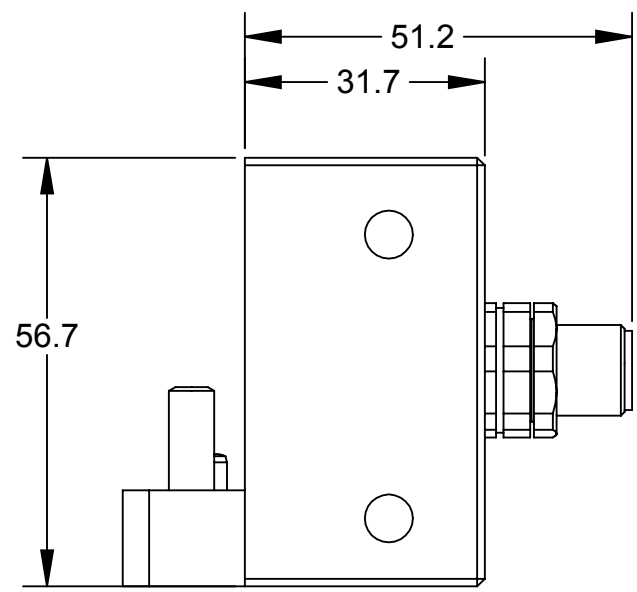
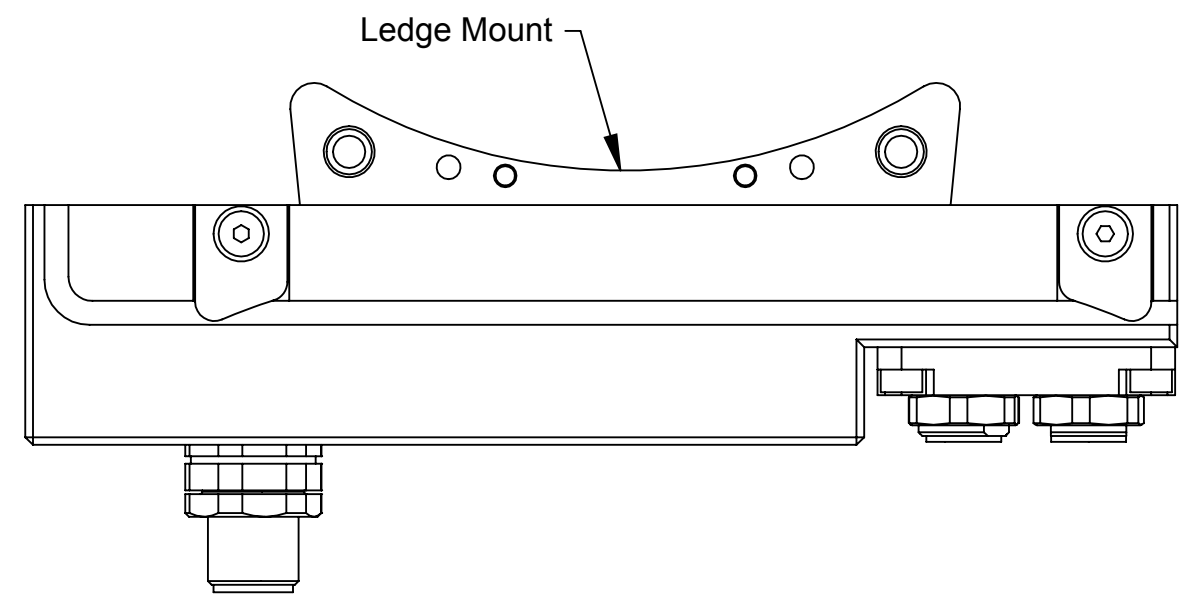
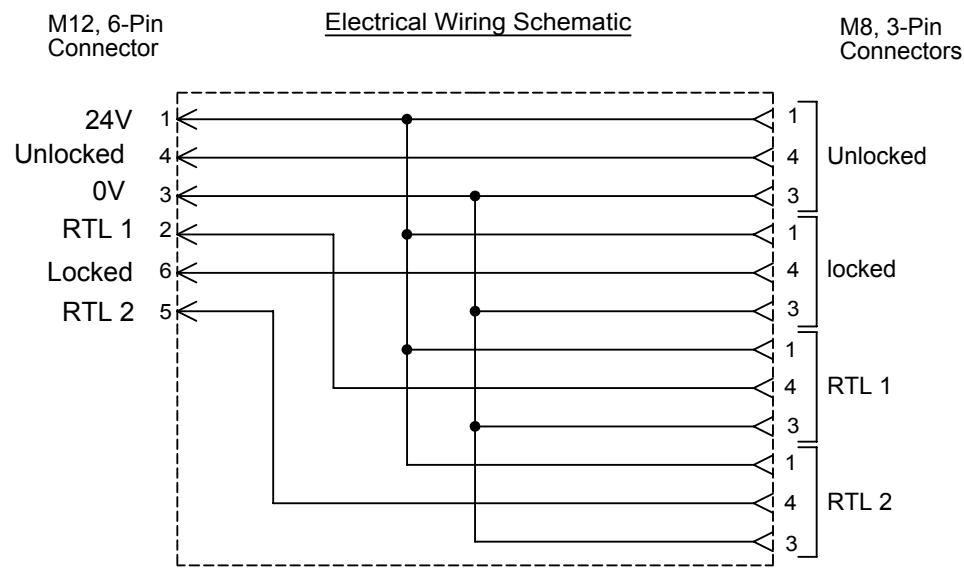
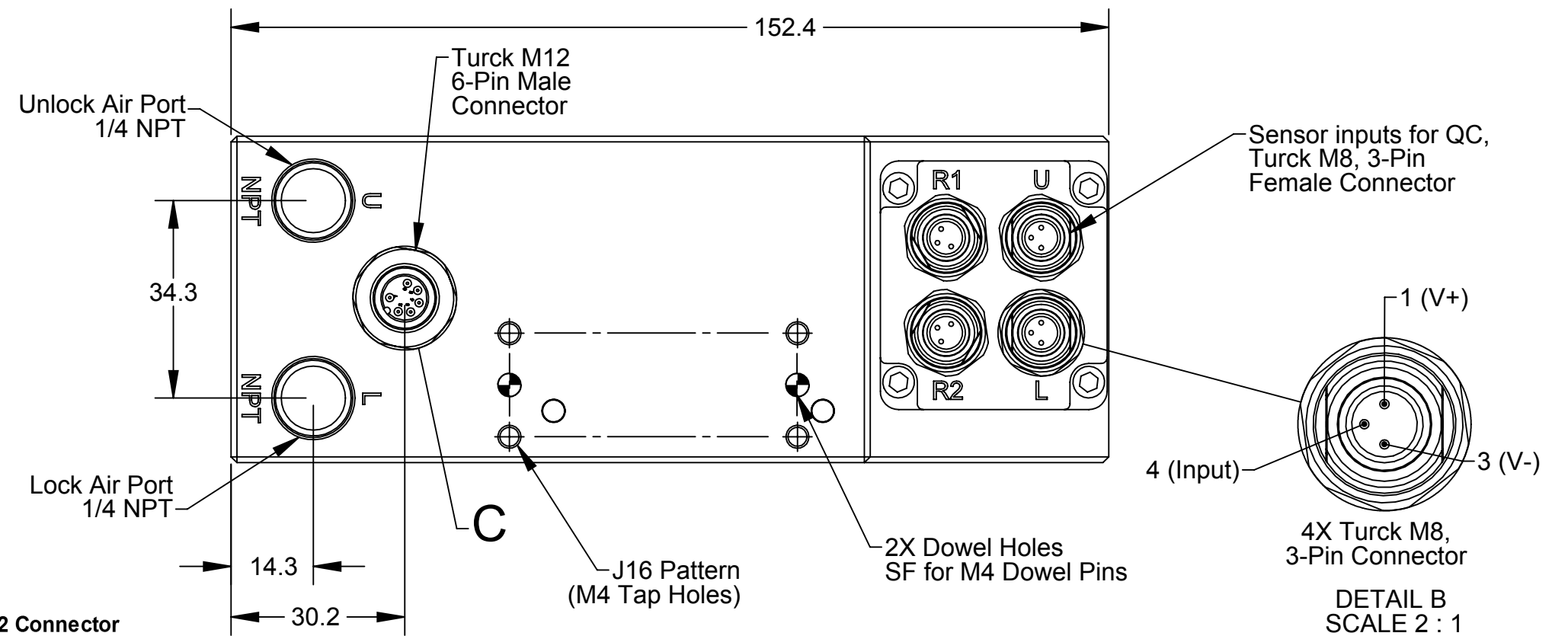


Rev.	Description	Initiator	Date
01	Initial Release	PDL	3/7/2013



DETAIL C  
SCALE 2 : 1

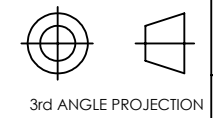
Signal	M12 Connector
24V+	Pin-1
0V-	Pin-3
Unlocked	Pin-4
Locked	Pin-6
RTL1	Pin-2
RTL2	Pin-5



DETAIL B  
SCALE 2 : 1

- Notes:
- Customer approval of electrical schematic is required.
  - Customer is to approve connector selection and orientation.

NOTES: UNLESS OTHERWISE SPECIFIED.  
DO NOT SCALE DRAWING. ALL DIMENSIONS ARE IN MILLIMETERS.



1031 Goodworth Drive, Apex, NC 27539, USA  
Tel: +1.919.772.0115 Email: info@ati-ia.com  
Fax: +1.919.772.8259 www.ati-ia.com  
ISO 9001 Registered Company

PROPERTY OF ATI INDUSTRIAL AUTOMATION, INC. NOT TO BE REPRODUCED IN ANY MANNER EXCEPT ON ORDER OR WITH PRIOR WRITTEN AUTHORIZATION OF ATI.

DRAWN BY: P.Luczka, 3/7/13		TITLE	
CHECKED BY: A.Takla, 3/8/13 B.Henderson, 3/11/13		Air Adapter, NPT, QC-210, W/ Lock/Unlock/RTL, Radial, Potted	
SCALE	SIZE	DRAWING NUMBER	REVISION
1:1	B	9630-20-JB15	01
PROJECT # 130227-1 SHEET 1 OF 1			