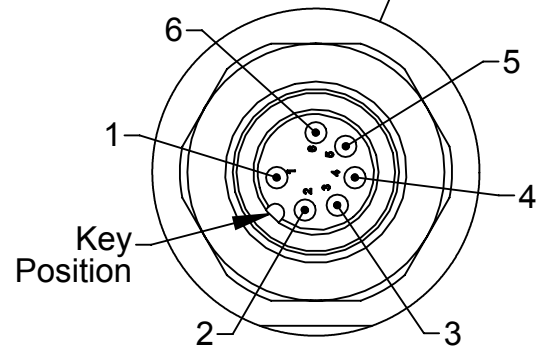
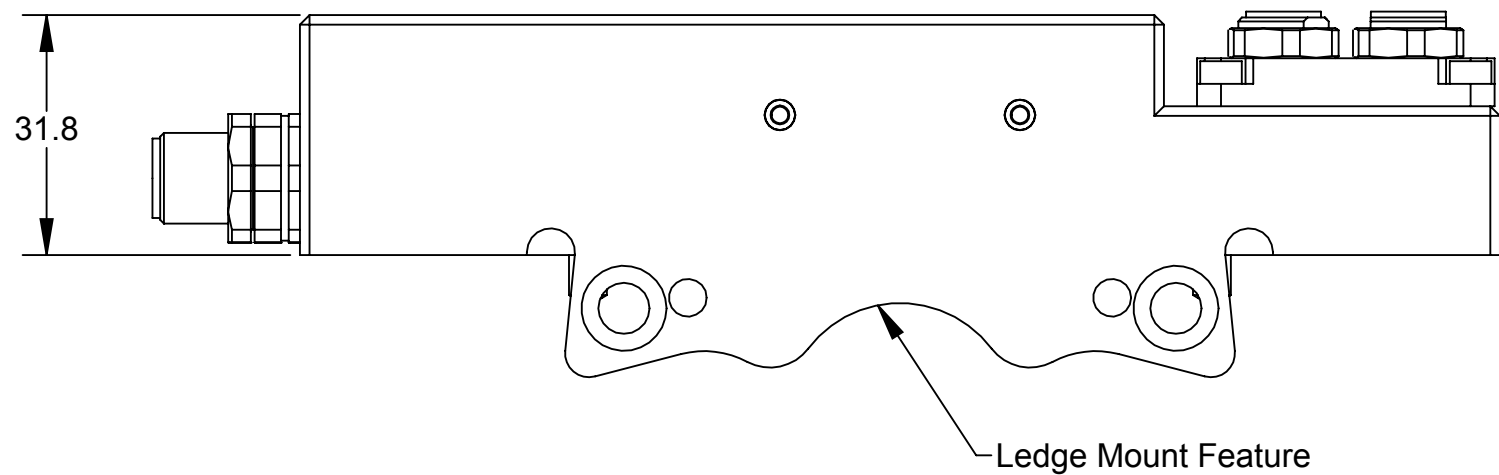
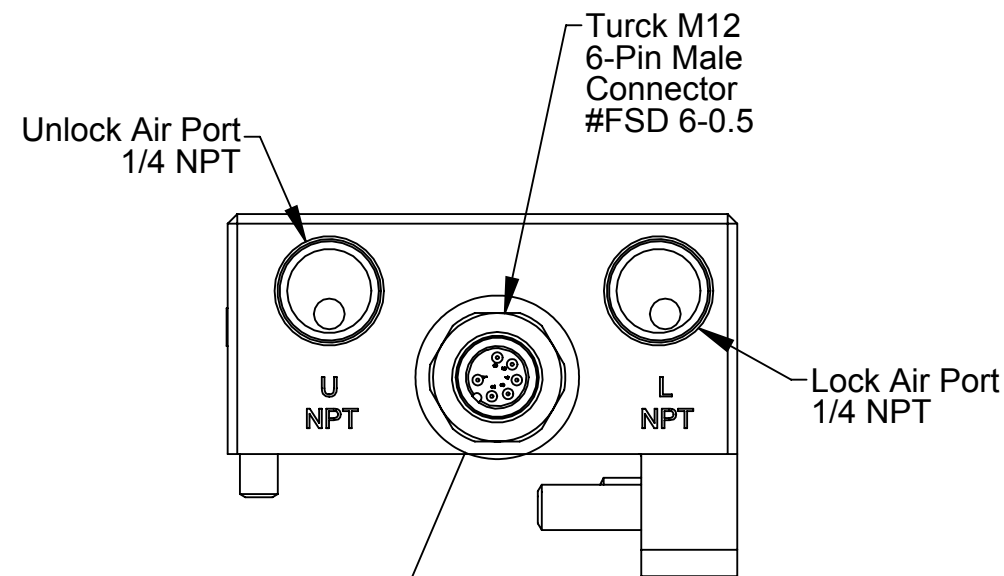
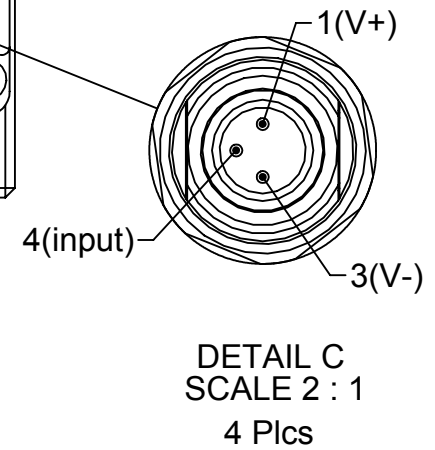
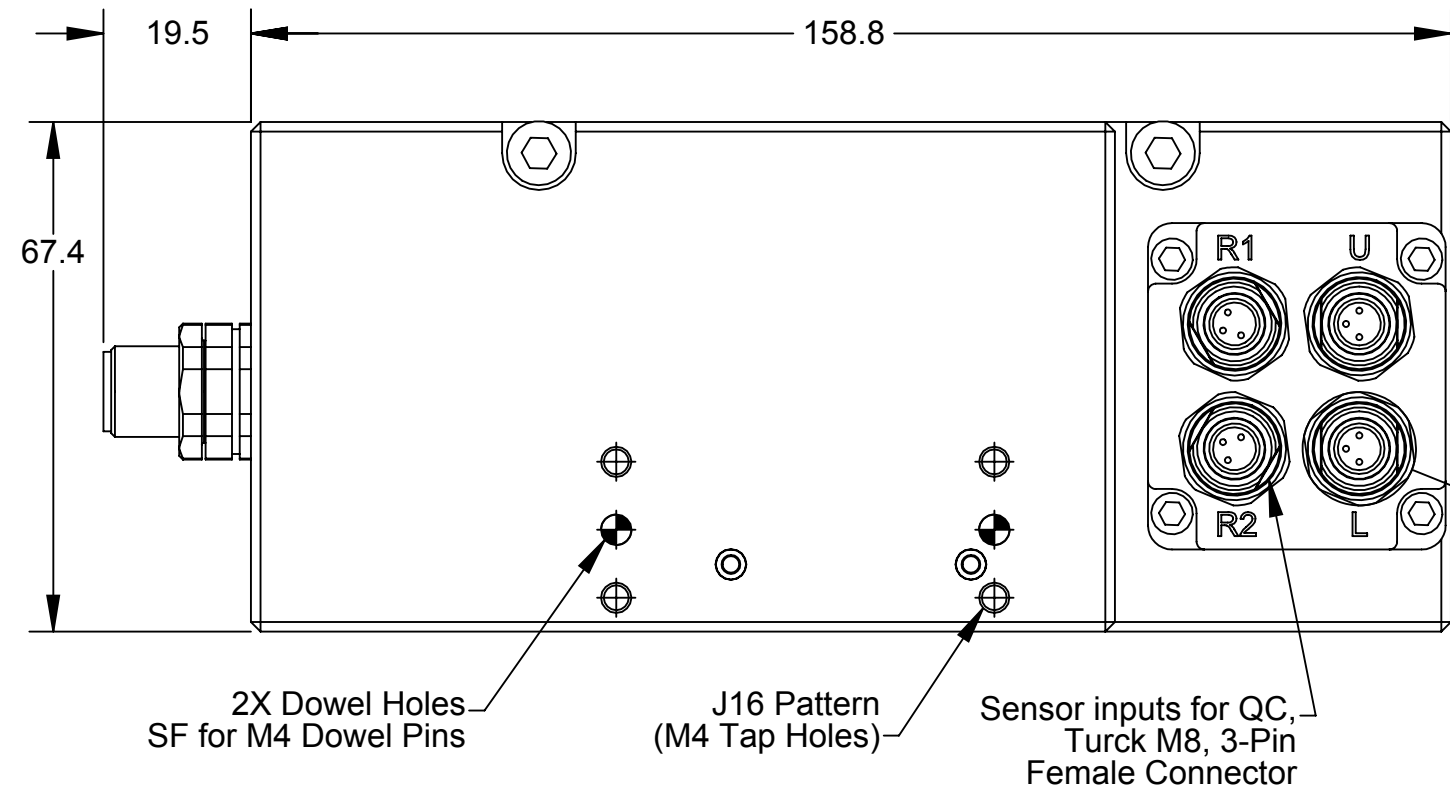
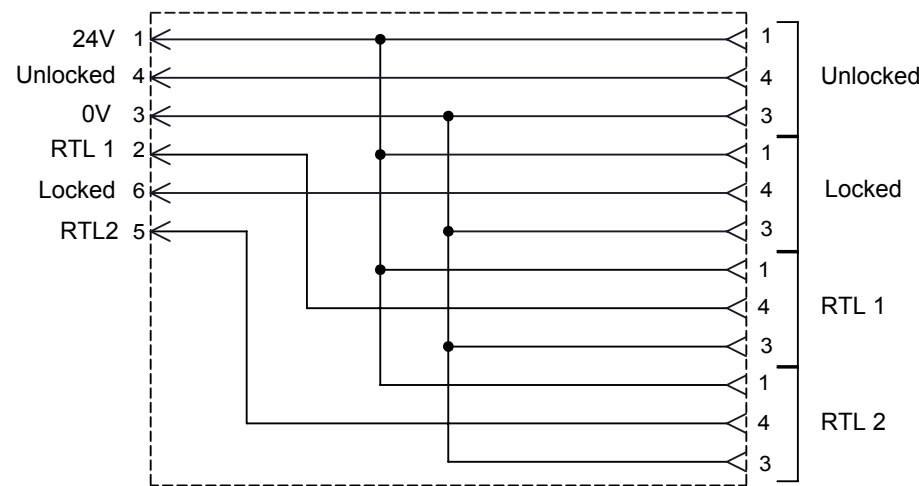


Rev.	Description	Initiator	Date
02	Eco 11744; Rotated Lock/Unlock Port engravings.	LJH	4/23/14

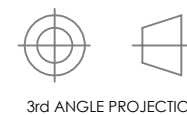
M12, 6-Pin Connector **Electrical Wiring Schematic** M8, 3-Pin Connectors



Signal	M12 Connector
24V+	Pin-1
0V-	Pin-3
Unlocked	Pin-4
Locked	Pin-6
RTL1	Pin-2
RTL2	Pin-5

NOTES: UNLESS OTHERWISE SPECIFIED.

DO NOT SCALE DRAWING. ALL DIMENSIONS ARE IN MILLIMETERS.



1031 Goodworth Drive, Apex, NC 27539, USA
 Tel: +1.919.772.0115 Email: info@ati-ia.com
 Fax: +1.919.772.8259 www.ati-ia.com
 ISO 9001 Registered Company

PROPERTY OF ATI INDUSTRIAL AUTOMATION, INC. NOT TO BE REPRODUCED IN ANY MANNER EXCEPT ON ORDER OR WITH PRIOR WRITTEN AUTHORIZATION OF ATI.

DRAWN BY: P.Luczka, 11/6/12		TITLE	
CHECKED BY: W.Berrocal,		JB12 Air Adapter Master, NPT, QC-310, w/ Lock/Unlock and RTL, Potted	
PROJECT # 120924-1	SHEET 1 OF 1	SCALE 1:1	SIZE B
DRAWING NUMBER 9630-20-JB12		REVISION 02	