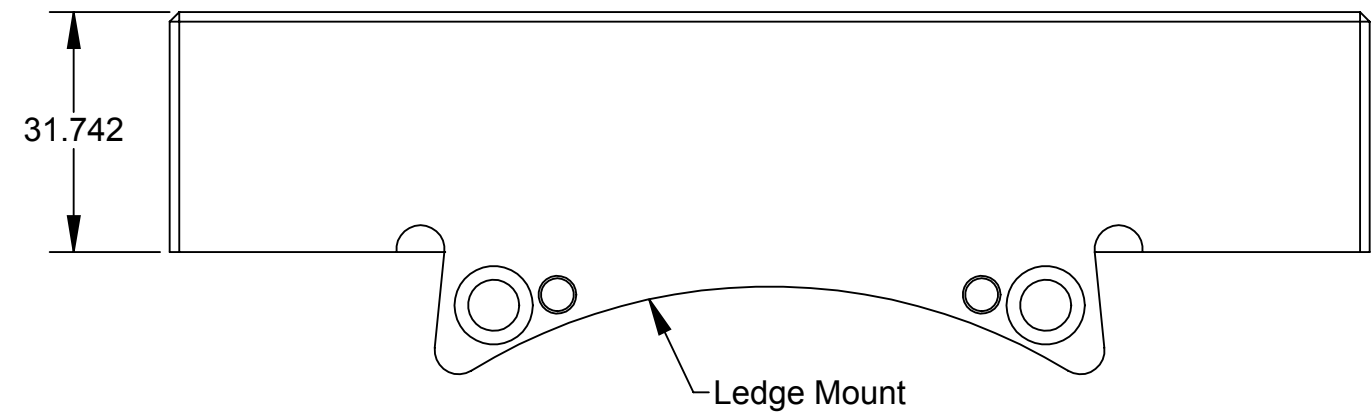
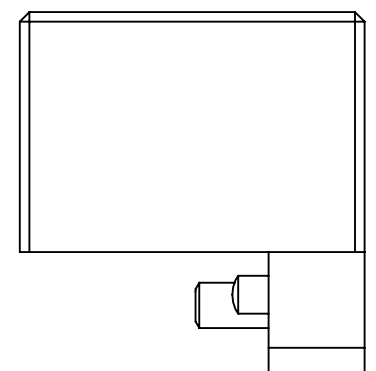
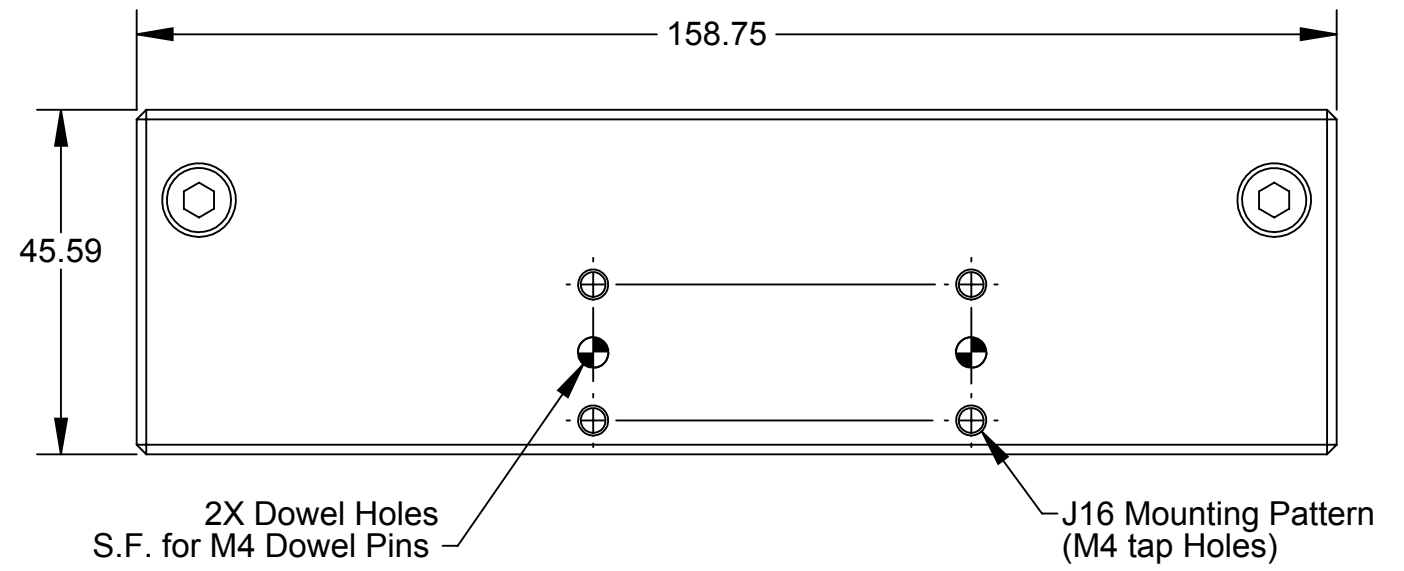
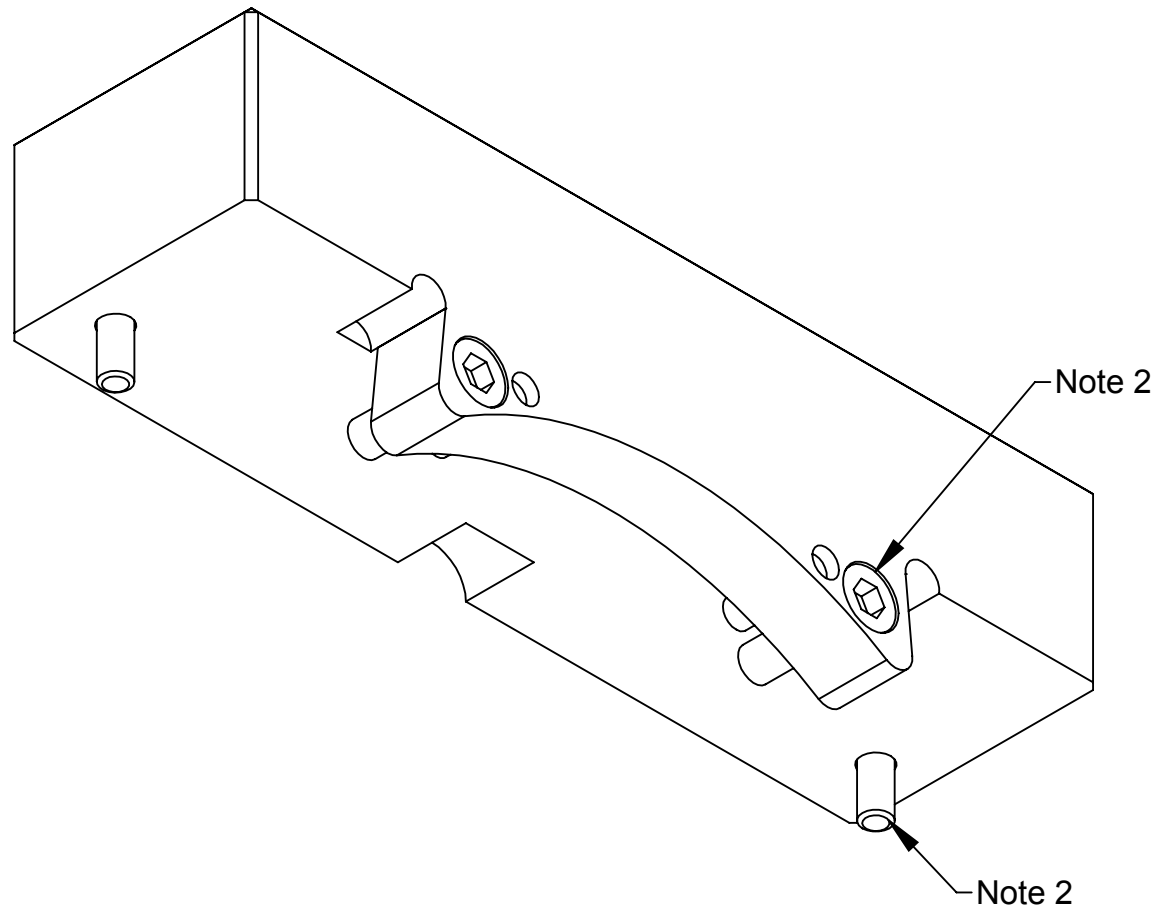


Rev.	Description	Initiator	Date
01	Initial Release	PDL	4/18/14



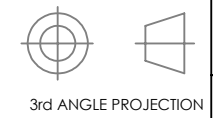
- Notes:**
1. This Module is used with the any of the Air Adapters with J16 mounting option.
  2. If Placing on QC, refer to work instructions. If placing into inventory, bag dry loose fasteners.

NOTES: UNLESS OTHERWISE SPECIFIED.  
DO NOT SCALE DRAWING. ALL DIMENSIONS ARE IN MILLIMETERS.



1031 Goodworth Drive, Apex, NC 27539, USA  
Tel: +1.919.772.0115 Email: info@ati-ia.com  
Fax: +1.919.772.8259 www.ati-ia.com  
ISO 9001 Registered Company

PROPERTY OF ATI INDUSTRIAL AUTOMATION, INC. NOT TO BE REPRODUCED IN ANY MANNER EXCEPT ON ORDER OR WITH PRIOR WRITTEN AUTHORIZATION OF ATI.



DRAWN BY: P.Luczka, 4/18/14  
CHECKED BY: A.Takla, 4/22/14  
PROJECT # 100702-4 SHEET 1 OF 1

TITLE		SCALE	SIZE	DRAWING NUMBER	REVISION
Tool Spacer Block Assembly, JB Modules		1:1	B	9630-20-JB11	01