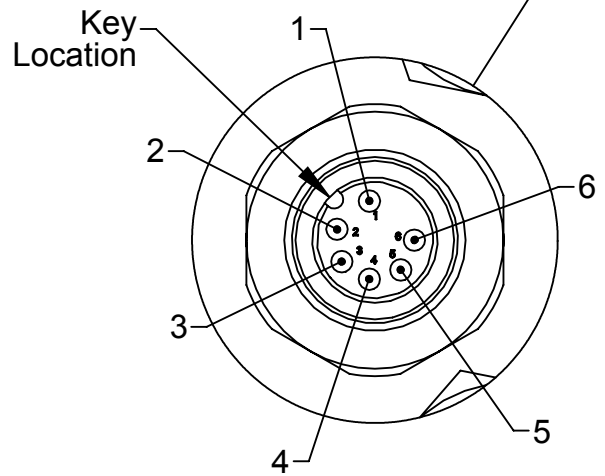
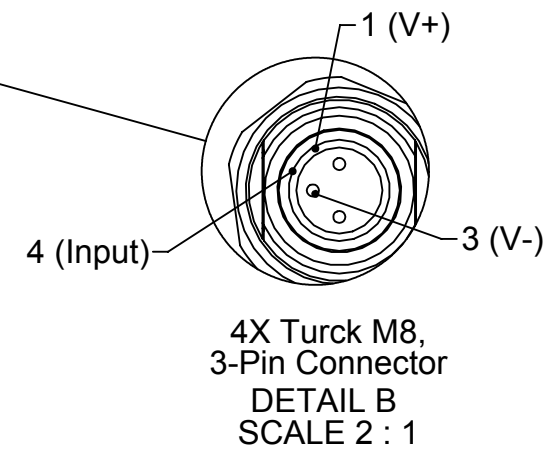
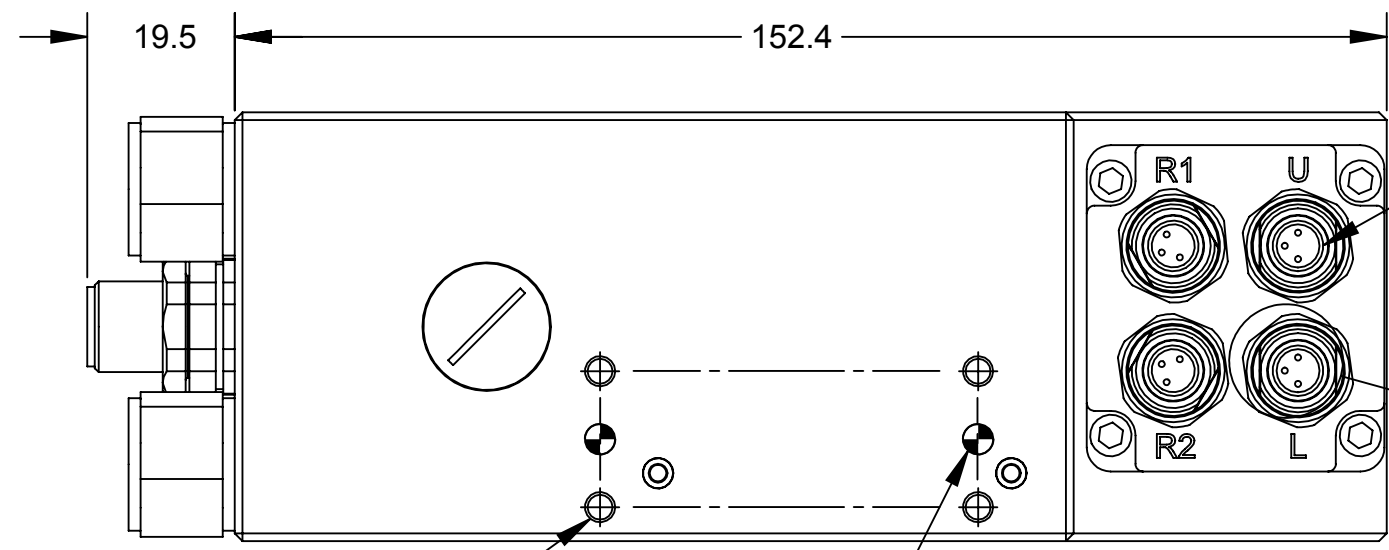
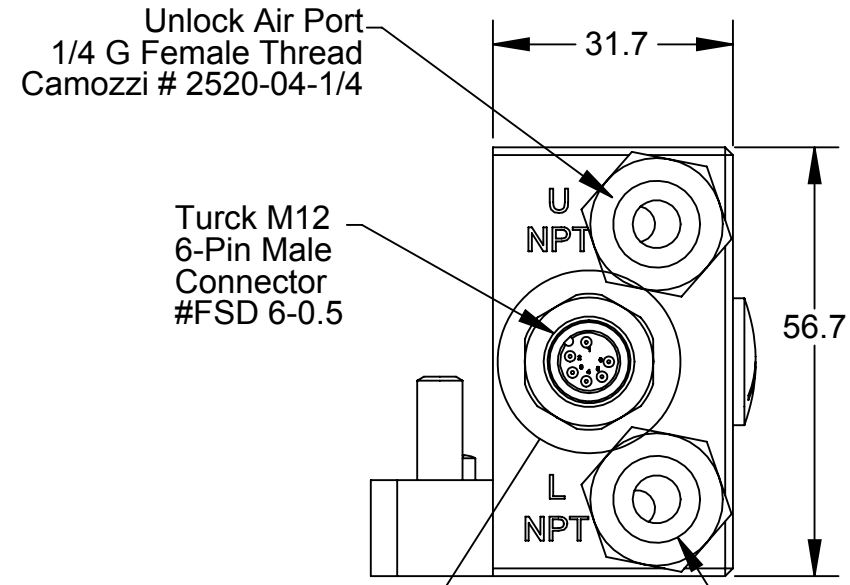
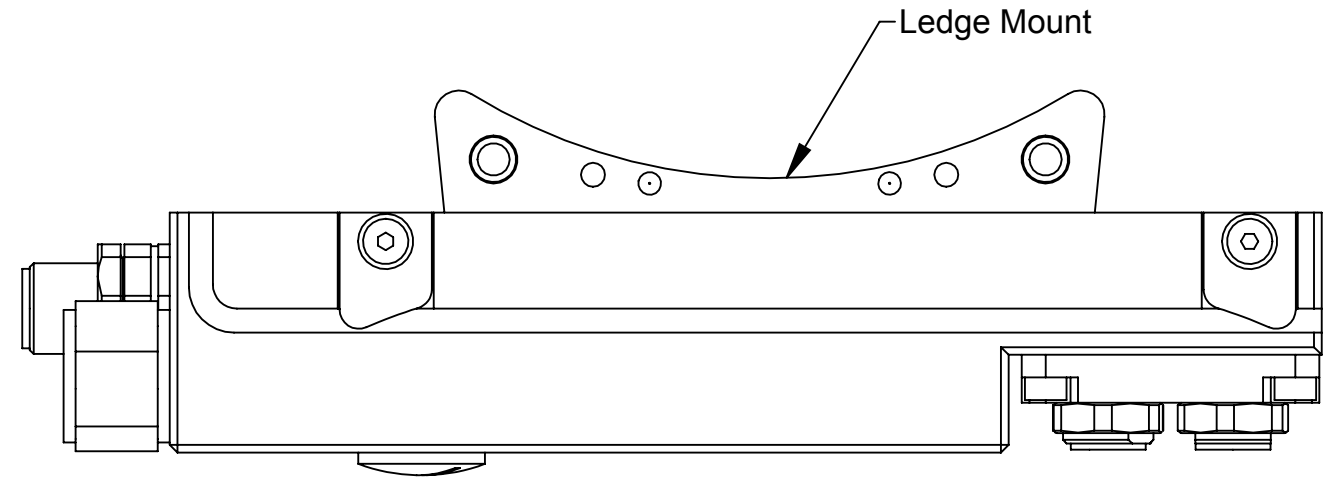
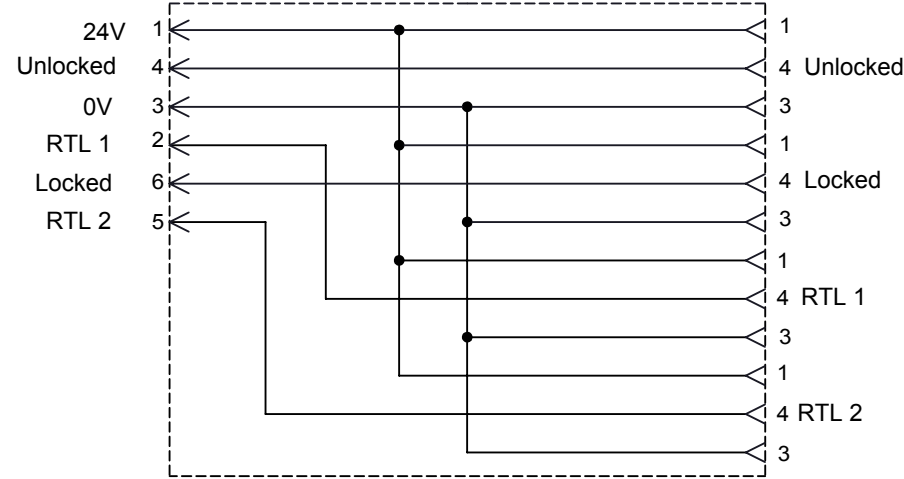


Rev.	Description	Initiator	Date
02	Eco 11744; Rotated Lock/Unlock Port engravings.	LJH	4/23/14

M12, 6-Pin Connector Electrical Wiring Schematic M8, 3-Pin Connectors



Signal	M12 Connector
V+	Pin-1
V-	Pin-3
Unlocked	Pin-4
Locked	Pin-6
RTL1	Pin-2
RTL2	Pin-5

NOTES: UNLESS OTHERWISE SPECIFIED.
DO NOT SCALE DRAWING. ALL DIMENSIONS ARE IN MILLIMETERS.



1031 Goodworth Drive, Apex, NC 27539, USA
Tel: +1.919.772.0115 Email: info@ati-ia.com
Fax: +1.919.772.8259 www.ati-ia.com
ISO 9001 Registered Company

PROPERTY OF ATI INDUSTRIAL AUTOMATION, INC. NOT TO BE REPRODUCED IN ANY MANNER EXCEPT ON ORDER OR WITH PRIOR WRITTEN AUTHORIZATION OF ATI.

DRAWN BY: P.Luczka 9/27/10		TITLE	
CHECKED BY: W.Berrocal, 10/23/12		Lock/Unlock Air Adapter, G, QC-210	
SCALE	SIZE	DRAWING NUMBER	REVISION
1:1	B	9630-20-JB10	02
PROJECT # 100702-4 SHEET 1 OF 1			

