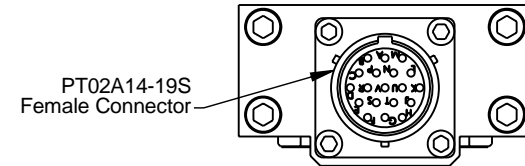
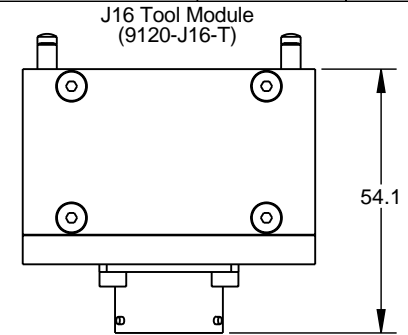
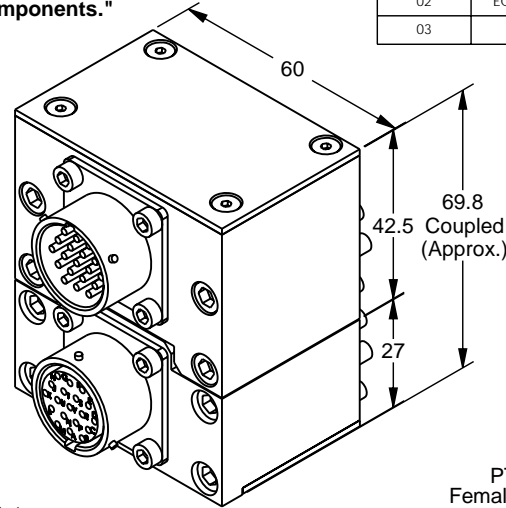
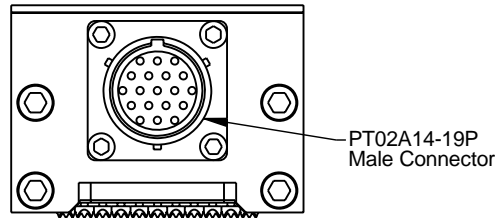
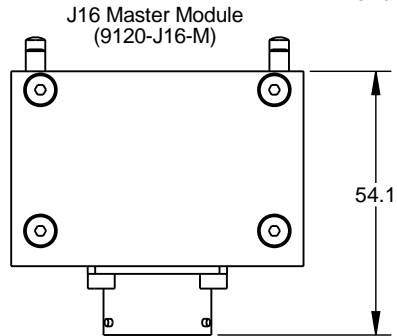


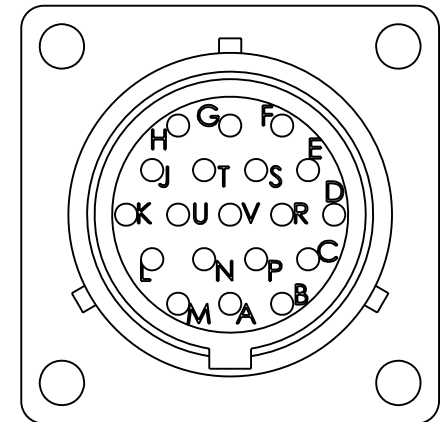
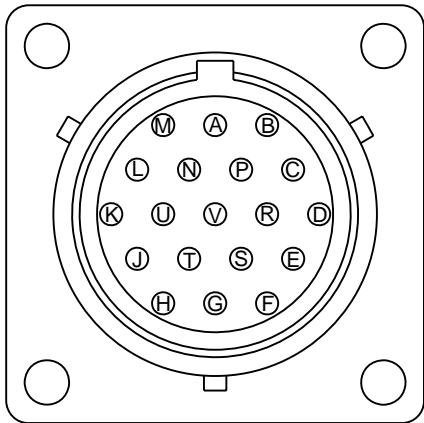
PROPERTY OF ATI INDUSTRIAL AUTOMATION, INC.
 NOT TO BE REPRODUCED IN ANY MANNER EXCEPT ON
 ORDER OR WITH PRIOR WRITTEN AUTHORIZATION OF ATI.

"DANGER! - For electrical modules using > 60VDC or 42 VAC, NO contact should be attempted before removing power. This especially includes separation or insertion of the mating connectors or any contact with the tool changer or its components."

Rev.	Description	Initiator	Date
01	Initial Issue	DSS	5/6/2004
02	ECO 5942: Added "Danger! remove power" note.	CDM	11/21/2007
03	Eco 6293: Correct Pin Labeling on Tool side	LJH	4/18/2008



J16 Master PT02A14-19P Male Connector	J16 Pin Out	J16 Tool PT02A14-19S Female Connector
A	----->>>>	A
B	----->>>>	B
C	----->>>>	C
D	----->>>>	D
E	----->>>>	E
F	----->>>>	F
G	----->>>>	G
H	----->>>>	H
J	----->>>>	J
K	----->>>>	K
L	----->>>>	L
M	----->>>>	M
N	----->>>>	N
P	----->>>>	P
R	----->>>>	R
S	----->>>>	S
T	----->>>>	T Unused
U	----->>>>	U Unused
V	----->>>>	V Unused

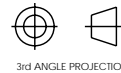


NOTES: UNLESS OTHERWISE SPECIFIED
 DO NOT SCALE DRAWING. DRAWN IN SOLIDWORKS.
 ALL DIMENSIONS ARE IN MILLIMETERS.



1031 Goodworth Drive, Apex, NC 27539, USA
 Tel: +1.919.772.0115 Email: info@ati-ia.com
 Fax: +1.919.772.8259 www.ati-ia.com
 ISO 9001 Registered Company

Notes:
 Large views of connectors are 3:1 scale.



DRAWN BY: D. Swanson 4/29/04		TITLE: J16 Module Drawing	
CHECKED BY: JHS 5/6/04		SCALE: 1:1	SIZE: B
WEIGHT LBS: .50		DRAWING NUMBER: 9630-20-J16-03	
ASSEMBLY REF:		PRODUCT RELEASE # 030725-3	DATE: SHEET 1 OF 1