

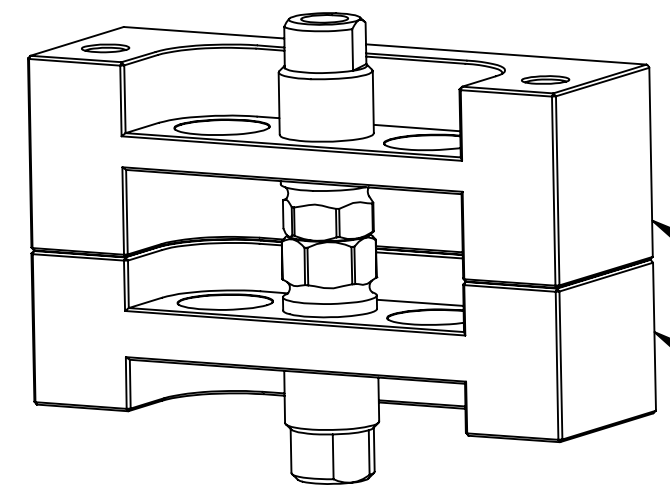
ITEM NO.	QTY	PART NUMBER	DESCRIPTION
1	1	3405-1220023-01	QD Plug, G1/4, 7200 PSI, Viton Seals
2	1	3405-1220024-01	QD Socket, G1/4, 7200 PSI, Viton Seals
3	4	3500-1066016-21A	M6-1 x 16mm SHCS, SS, Pre-Applied
4	2	3500-1066020-21A	M6-1 x 20mm SHCS, SS, Pre-Applied
5	2	3700-20-4511	Hydraulic Module Pre-Alignment Pin, TDC Plated
6	2	3700-20-4512	25/64" Bushing, Steel, 1.38Lg, 5/8" OD, TDC Plated

**HB8ZF2T1 Module Specifications**

Hydraulic Ports, (qty) Size (C<sub>v</sub>)  
 Maximum pressure of 7200 psi (500 bar), (1) G 1/4 (BSPP) (0.46)  
 Self-sealing on Master and Tool

Static Separation Force (spring force for coupler) 18 lb [80 N]

Hydraulic Separation Force (per pressurized line) G 1/4 (BSPP) force (lb<sub>f</sub>) = 0.13 x PSI  
 (N) = 8.387 x bar

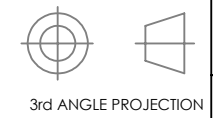


9121-HB8ZF2T1-M  
MASTER

9121-HB8ZF2T1-T  
TOOL

- NOTES:**
- Couplers separate into front and rear halves for installation in carriers. Tighten halves to 30 lb-ft [40 Nm] after installation. No Loctite.
  - Refer to 9630-20-HYD for safe operating procedures.
  - Refer to 9630-20-COUPLER for coupler maintenance instructions.

NOTES: UNLESS OTHERWISE SPECIFIED.  
 DO NOT SCALE DRAWING. ALL DIMENSIONS ARE IN MILLIMETERS.



1031 Goodworth Drive, Apex, NC 27539, USA  
 Tel: +1.919.772.0115 Email: info@ati-ia.com  
 Fax: +1.919.772.8259 www.ati-ia.com  
 ISO 9001 Registered Company

PROPERTY OF ATI INDUSTRIAL AUTOMATION, INC. NOT TO BE REPRODUCED IN ANY MANNER EXCEPT ON ORDER OR WITH PRIOR WRITTEN AUTHORIZATION OF ATI.

DRAWN BY: D.Lawson-4/3/17		TITLE	
CHECKED BY: D.Wagner-4/11/17		HB8ZF2T1 Drawing, Single 7200 PSI G 1/4 Port, SS Hardware	
PROJECT # 170403-1	SHEET 1 OF 1	SCALE 1:2	SIZE B
DRAWING NUMBER 9630-20-HB8ZF2T1		REVISION 01	