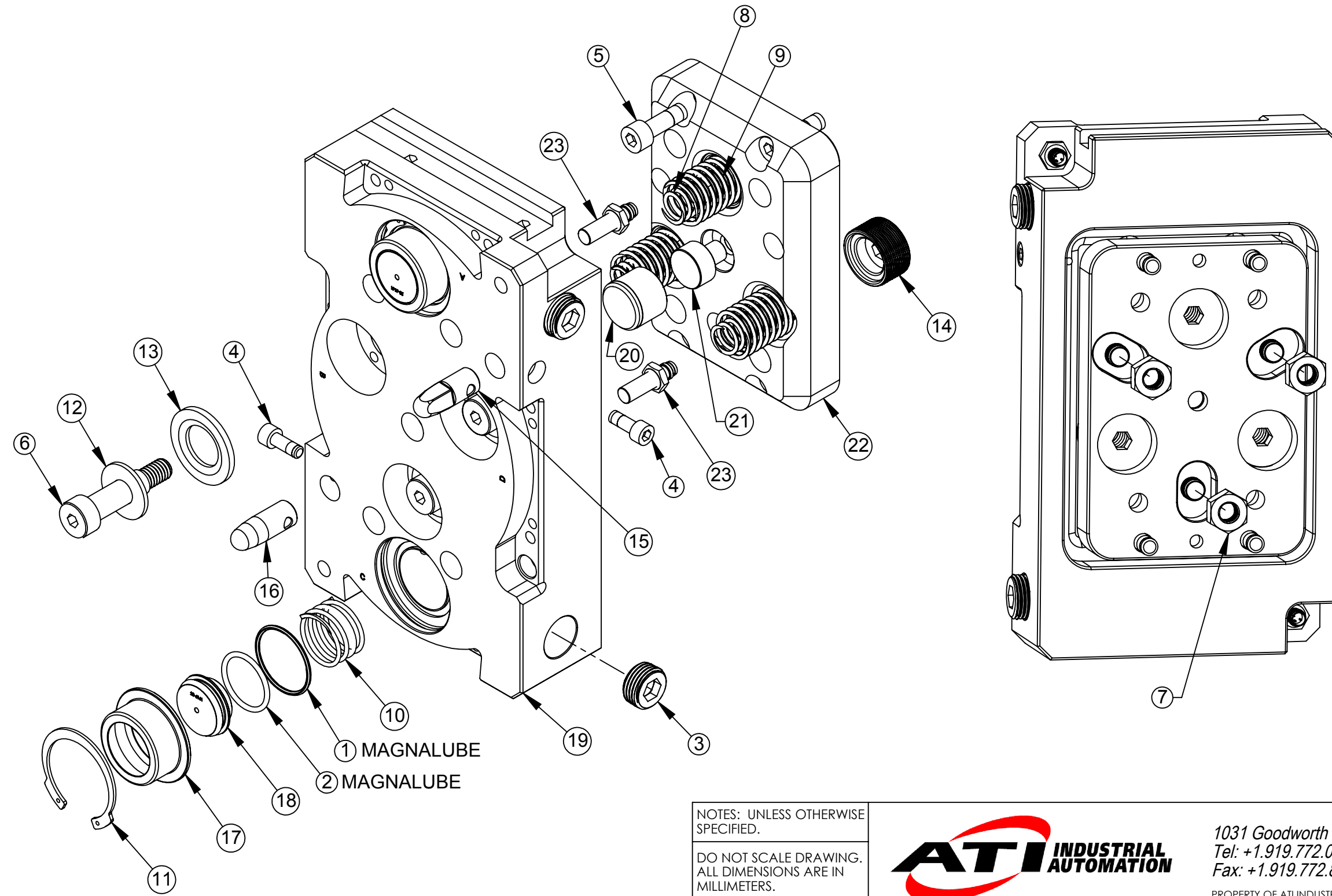




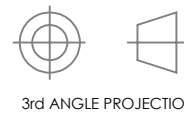
# GL5-R UTILITY COUPLER MASTER ASSEMBLY

9123-GL5CM-0-0-0-0-SX-R



NOTES: UNLESS OTHERWISE SPECIFIED.

DO NOT SCALE DRAWING. ALL DIMENSIONS ARE IN MILLIMETERS.



3rd ANGLE PROJECTION



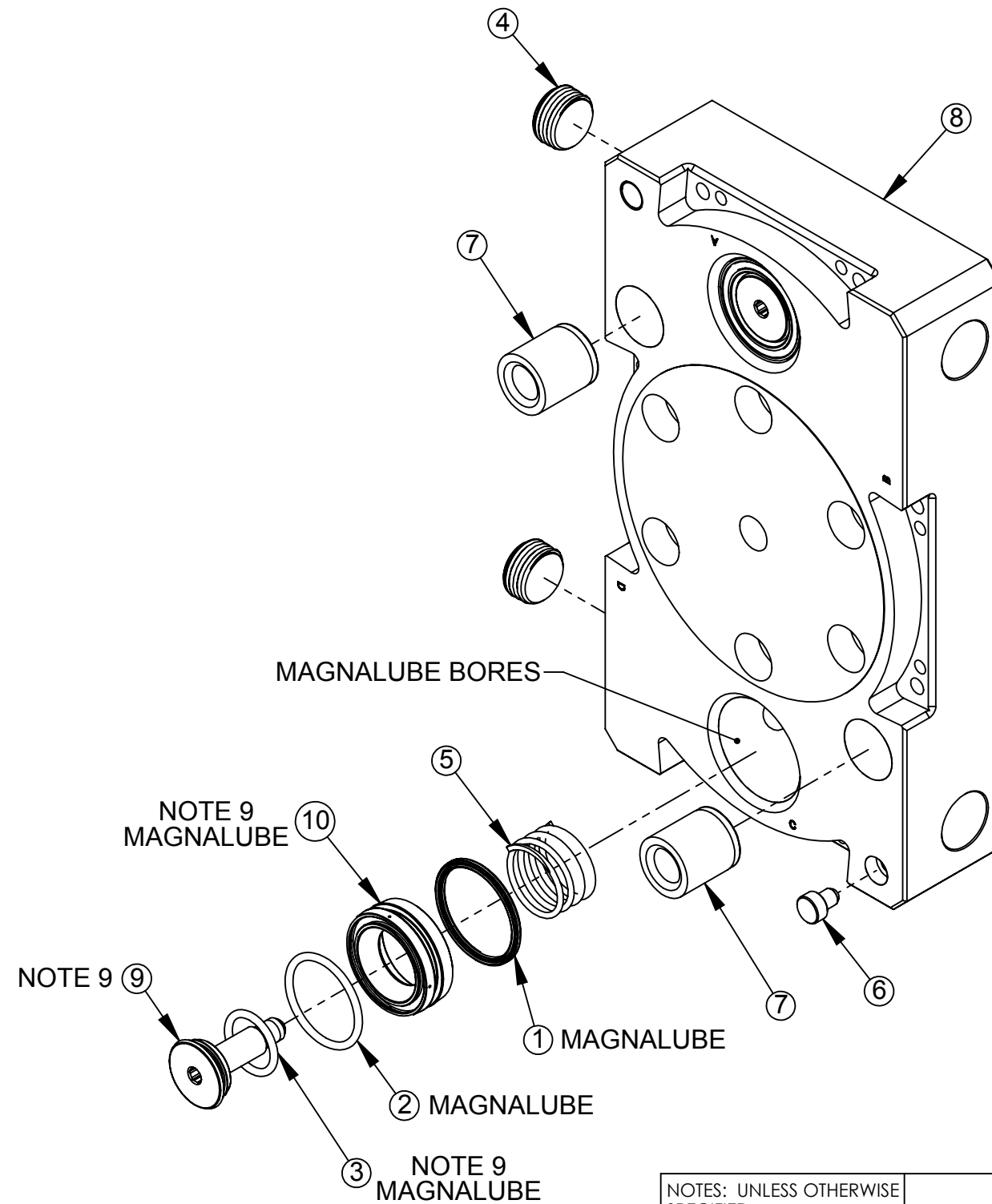
1031 Goodworth Drive, Apex, NC 27539, USA  
 Tel: +1.919.772.0115 [www.ati-ia.com](http://www.ati-ia.com)  
 Fax: +1.919.772.8259 ISO 9001 Registered Company

PROPERTY OF ATI INDUSTRIAL AUTOMATION, INC. NOT TO BE REPRODUCED IN ANY MANNER EXCEPT ON ORDER OR WITH PRIOR WRITTEN AUTHORIZATION OF ATI.

DRAWN BY: K. Zachary 04/20/15		TITLE	
CHECKED BY: D. Norton 04/20/15		GL5-R Utility Coupler	
PROJECT # 150414-1	SHEET 2 OF 3	SCALE 1:2	SIZE B
		DRAWING NUMBER 9630-20-GL5-R	REVISION 06

# GL5-R UTILITY COUPLER TOOL ASSEMBLY

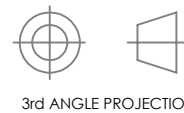
9123-GL5T-0-0-0-0-R



NOTES:  
 9. SEE MANUAL FOR REPLACEMENT PARTS, INCLUDING OLDER VALVE DESIGNS WHICH REQUIRE A SPANNER WRENCH FOR STEM INSTALLATION. NEW STEMS INSTALL WITH A HEX WRENCH.

NOTES: UNLESS OTHERWISE SPECIFIED.

DO NOT SCALE DRAWING. ALL DIMENSIONS ARE IN MILLIMETERS.



1031 Goodworth Drive, Apex, NC 27539, USA  
 Tel: +1.919.772.0115 www.ati-ia.com  
 Fax: +1.919.772.8259 ISO 9001 Registered Company

PROPERTY OF ATI INDUSTRIAL AUTOMATION, INC. NOT TO BE REPRODUCED IN ANY MANNER EXCEPT ON ORDER OR WITH PRIOR WRITTEN AUTHORIZATION OF ATI.

DRAWN BY: K. Zachary 04/20/15		TITLE	
CHECKED BY: D. Norton 04/20/15		GL5-R Utility Coupler	
SCALE	SIZE	DRAWING NUMBER	REVISION
1:2	B	9630-20-GL5-R	06
PROJECT # 150414-1 SHEET 3 OF 3			