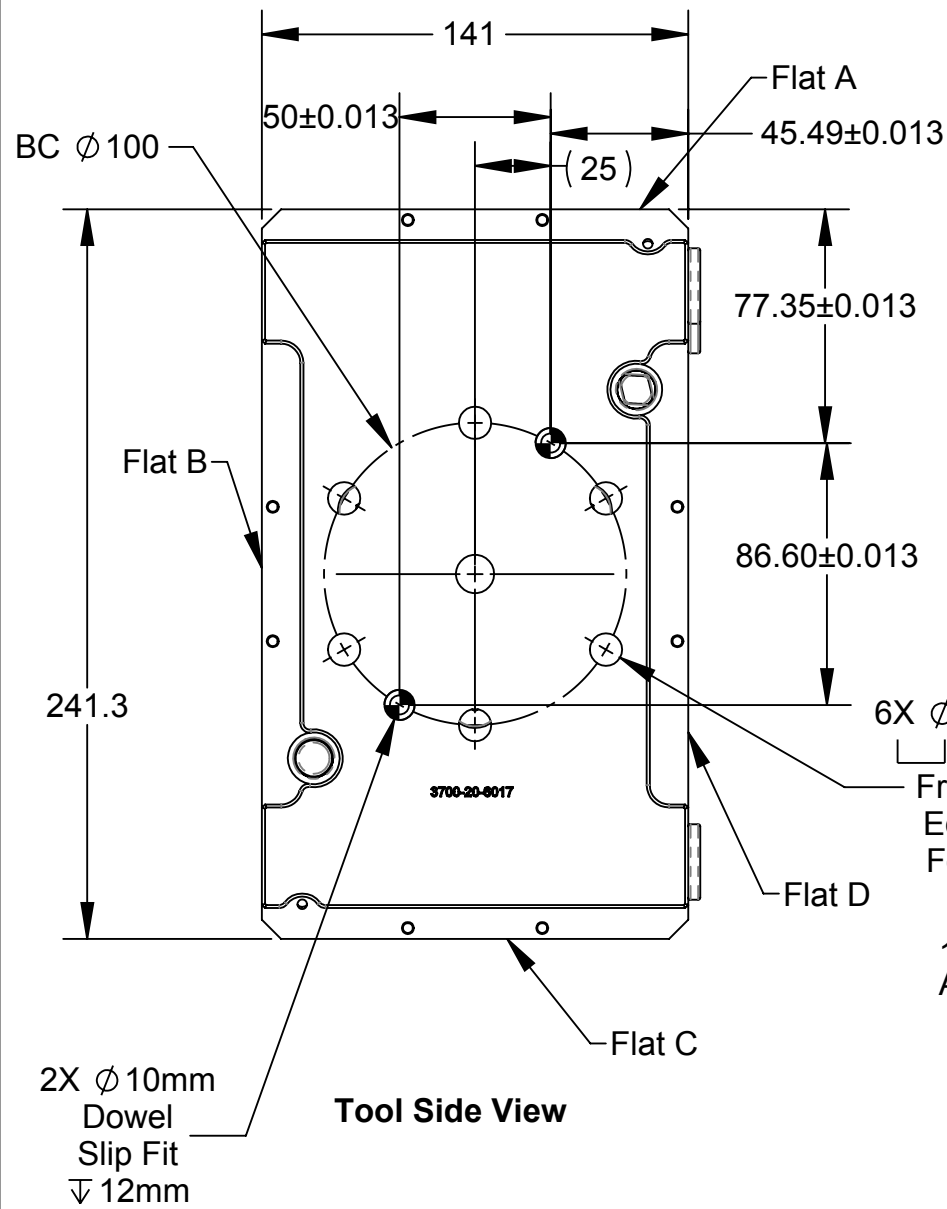
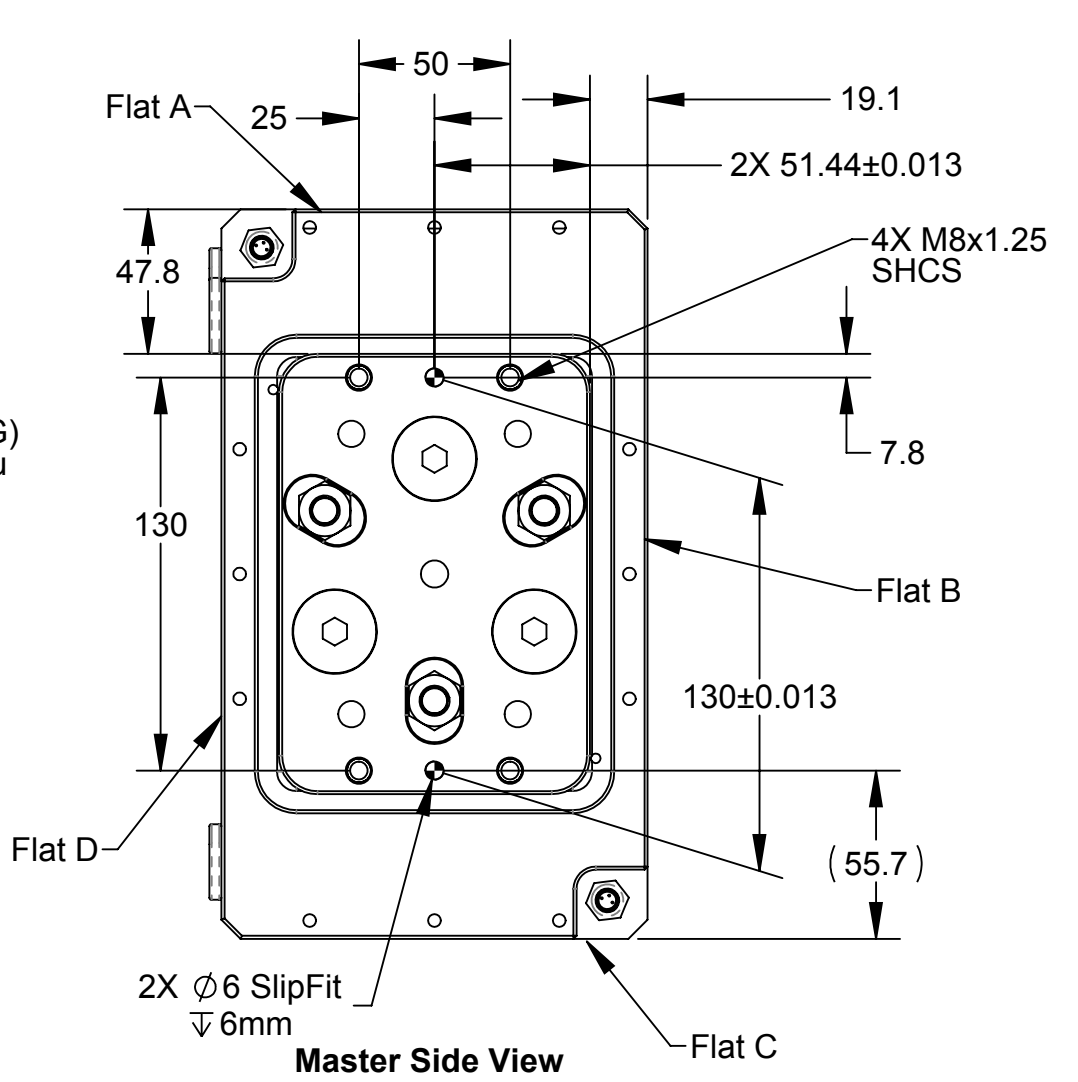
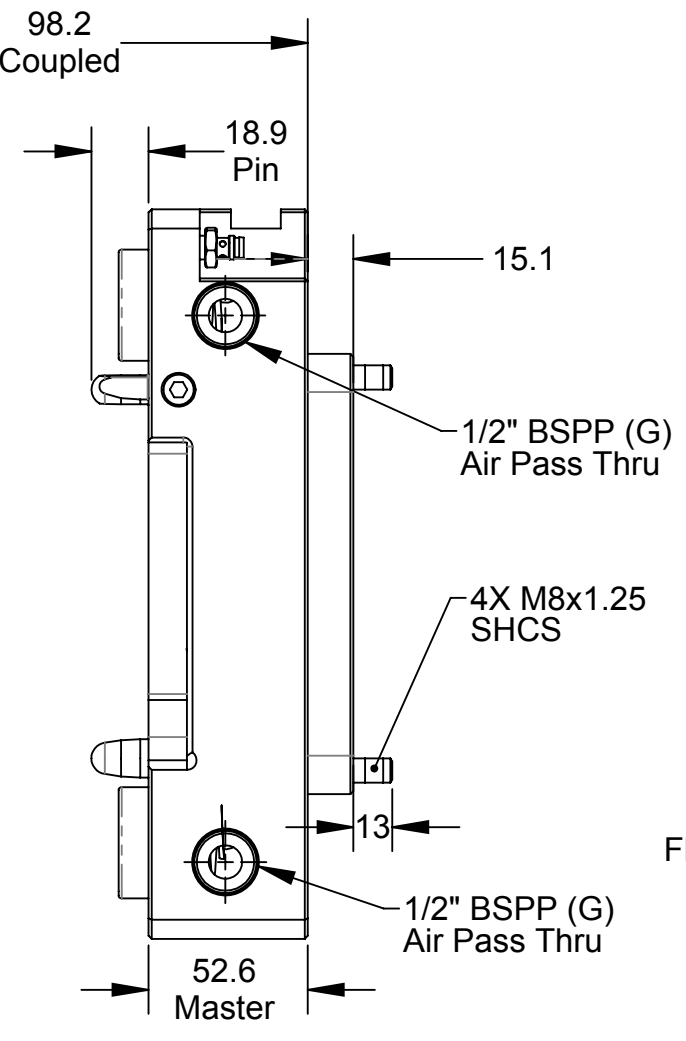
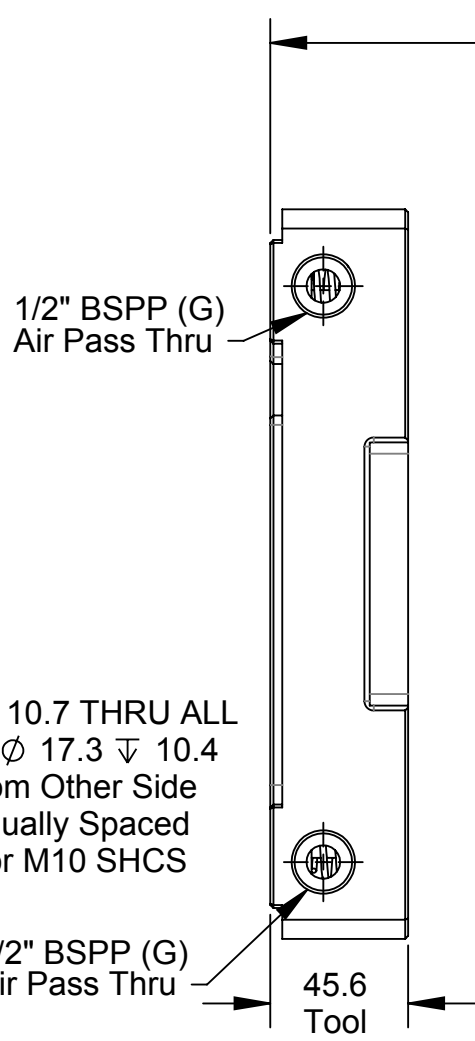


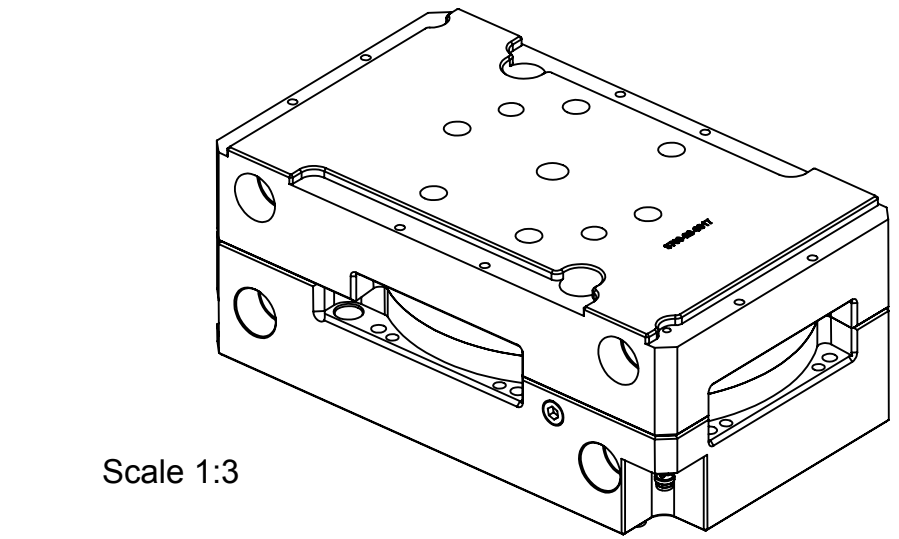
Rev.	Description	Initiator	Date
07	ECO 17189: Sheet 2: Updated drawing for changes to 9123-GL5CM-0-0-0-0-SG-E assembly.	TBC	6/27/2019



**Tool Side View**



**Master Side View**



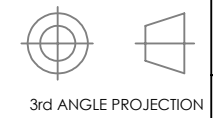
Scale 1:3

Part Numbers:  
 (A) Master: 9123-GL5CM-0-0-0-0-SG-E  
 (B) Tool: 9123-GL5T-0-0-0-0-E

Notes:  
 1. Continuous coupling force must be maintained in order to keep master and tool engaged.

NOTES: UNLESS OTHERWISE SPECIFIED.

DO NOT SCALE DRAWING. ALL DIMENSIONS ARE IN MILLIMETERS.

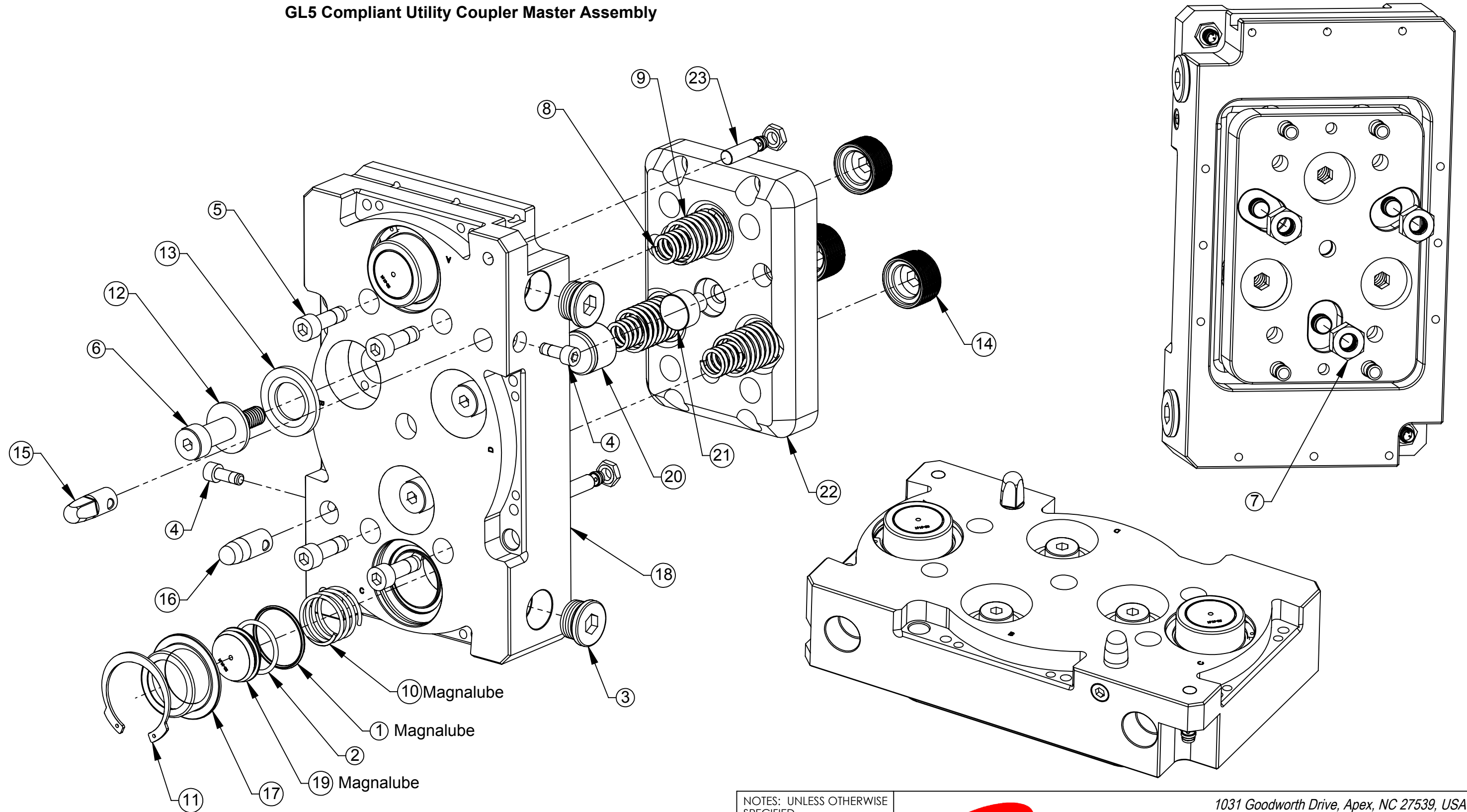


1031 Goodworth Drive, Apex, NC 27539, USA  
 Tel: +1.919.772.0115 Email: info@ati-ia.com  
 Fax: +1.919.772.8259 www.ati-ia.com  
 ISO 9001 Registered Company

PROPERTY OF ATI INDUSTRIAL AUTOMATION, INC. NOT TO BE REPRODUCED IN ANY MANNER EXCEPT ON ORDER OR WITH PRIOR WRITTEN AUTHORIZATION OF ATI.

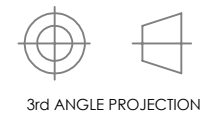
DRAWN BY: Dan Norton 5/2/13		TITLE	
CHECKED BY: ATM 7/19/13		GL5 Compliant Utility Coupler, G Port Thread	
PROJECT # -	SHEET 1 OF 3	SCALE	REVISION
		1:2.5	07
		SIZE	
		B	
		DRAWING NUMBER	
		9630-20-GL5-E	

**GL5 Compliant Utility Coupler Master Assembly**



NOTES: UNLESS OTHERWISE SPECIFIED.

DO NOT SCALE DRAWING. ALL DIMENSIONS ARE IN MILLIMETERS.

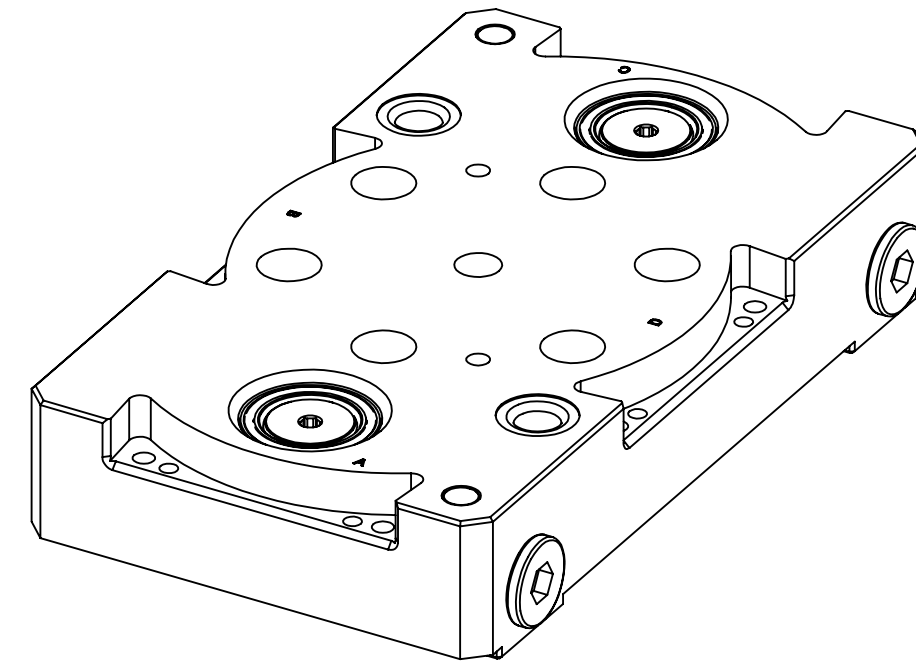
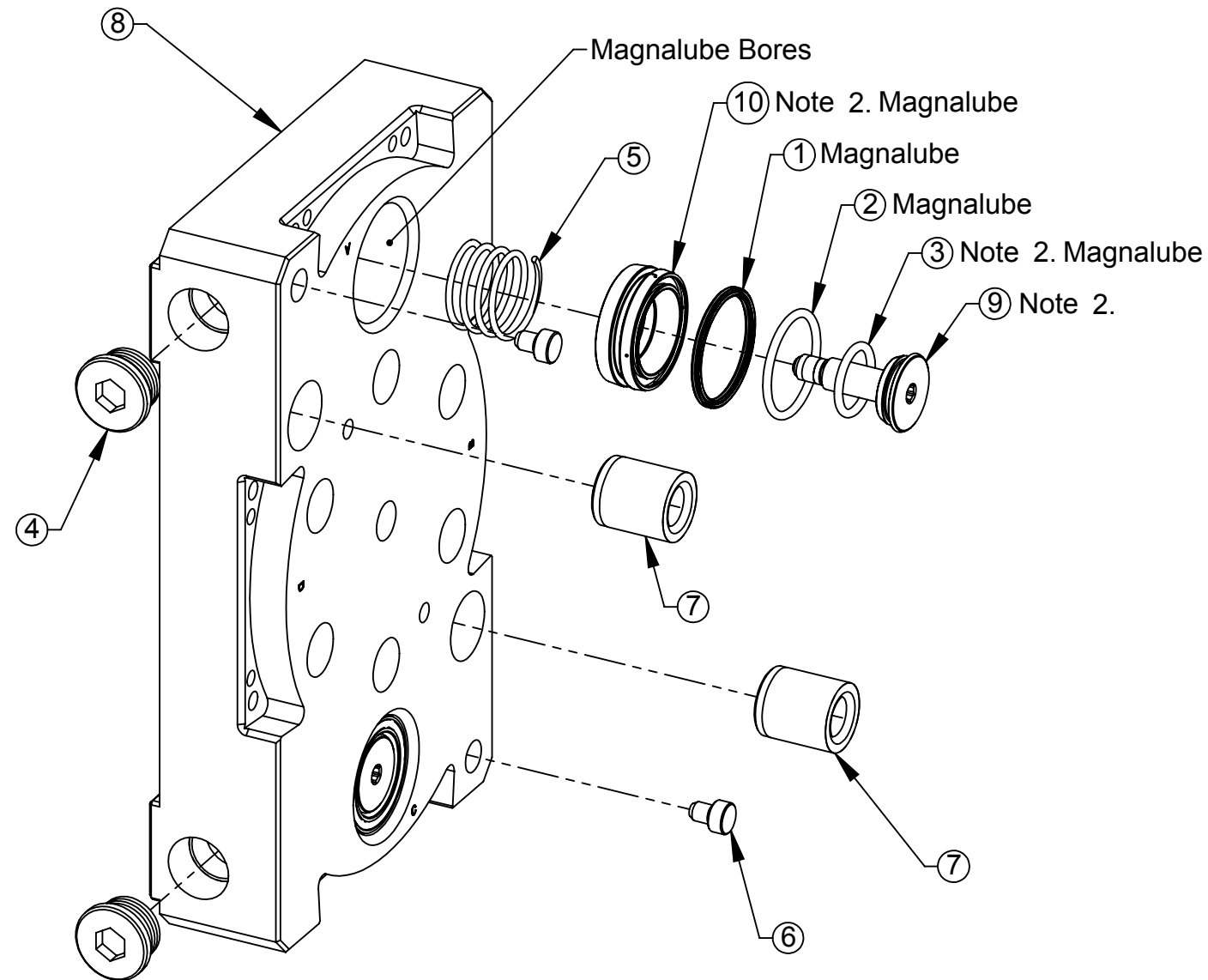


1031 Goodworth Drive, Apex, NC 27539, USA  
 Tel: +1.919.772.0115 Email: info@ati-ia.com  
 Fax: +1.919.772.8259 www.ati-ia.com  
 ISO 9001 Registered Company

PROPERTY OF ATI INDUSTRIAL AUTOMATION, INC. NOT TO BE REPRODUCED IN ANY MANNER EXCEPT ON ORDER OR WITH PRIOR WRITTEN AUTHORIZATION OF ATI.

DRAWN BY: Dan Norton 5/2/13		TITLE		
CHECKED BY: ATM 7/19/13		GL5 Compliant Utility Coupler, G Port Thread		
PROJECT # -	SHEET 2 OF 3	SCALE	SIZE	DRAWING NUMBER
		1:2	B	9630-20-GL5-E
				REVISION
				07

### GL5 Compliant Utility Coupler Tool Assembly



Note:  
2. See Manual for replacement parts, including older valve designs which require a spanner wrench for Stem installation. New Stems install with a hex wrench.

NOTES: UNLESS OTHERWISE SPECIFIED.

DO NOT SCALE DRAWING. ALL DIMENSIONS ARE IN MILLIMETERS.



3rd ANGLE PROJECTION



1031 Goodworth Drive, Apex, NC 27539, USA  
Tel: +1.919.772.0115 Email: info@ati-ia.com  
Fax: +1.919.772.8259 www.ati-ia.com  
ISO 9001 Registered Company

PROPERTY OF ATI INDUSTRIAL AUTOMATION, INC. NOT TO BE REPRODUCED IN ANY MANNER EXCEPT ON ORDER OR WITH PRIOR WRITTEN AUTHORIZATION OF ATI.

DRAWN BY: Dan Norton 5/2/13		TITLE		
CHECKED BY: ATM 7/19/13		GL5 Compliant Utility Coupler, G Port Thread		
PROJECT # -	SHEET 3 OF 3	SCALE	SIZE	DRAWING NUMBER
		1:2	B	9630-20-GL5-E
				REVISION
				07