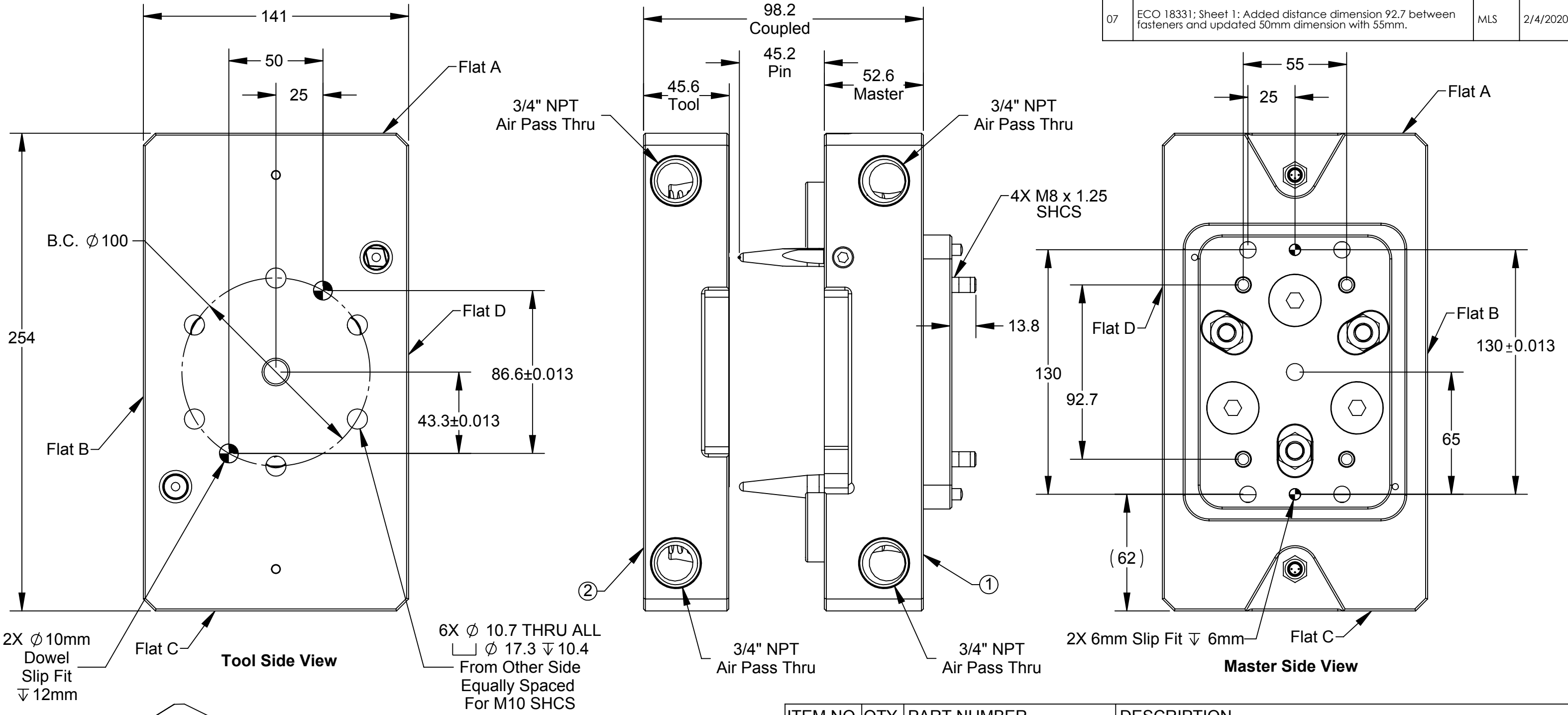
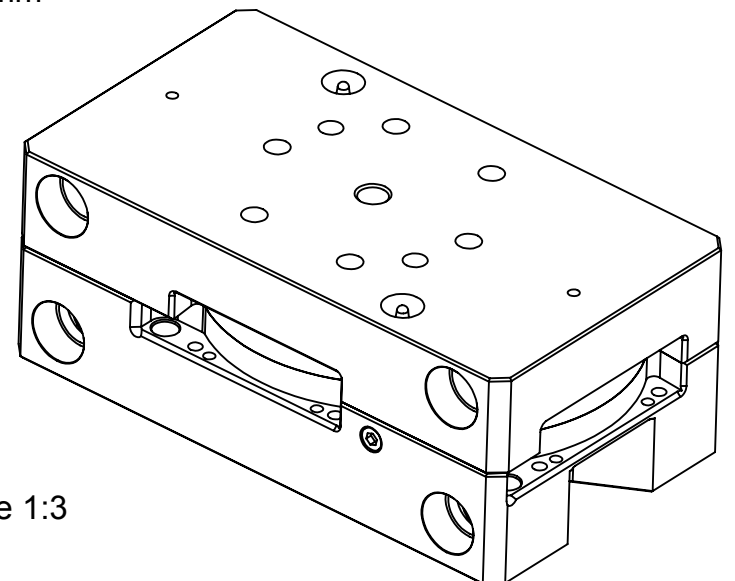


Rev.	Description	Initiator	Date
07	ECO 18331; Sheet 1: Added distance dimension 92.7 between fasteners and updated 50mm dimension with 55mm.	MLS	2/4/2020



2X Ø 10mm Dowel Slip Fit  
↓ 12mm

6X Ø 10.7 THRU ALL  
□ Ø 17.3 ↓ 10.4  
From Other Side  
Equally Spaced  
For M10 SHCS



Scale 1:3

- Notes:
- Continuous Coupling Force must be maintained in order to keep Master and Tool engaged.

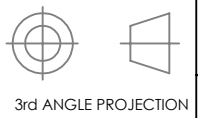
ITEM NO.	QTY.	PART NUMBER	DESCRIPTION
1	1	9123-GL3CM-0-0-0-0-SG-N	GL3 Compliant Utility Coupler Master with (4) 3/4" NPT Checked Ports, (2) PNP Sensors to Detect Tool Presence
2	1	9123-GL3T-0-0-0-0-N	GL3 Utility Coupler Tool, (4) 3/4" NPT Ports

NOTES: UNLESS OTHERWISE SPECIFIED.  
DO NOT SCALE DRAWING. ALL DIMENSIONS ARE IN MILLIMETERS.

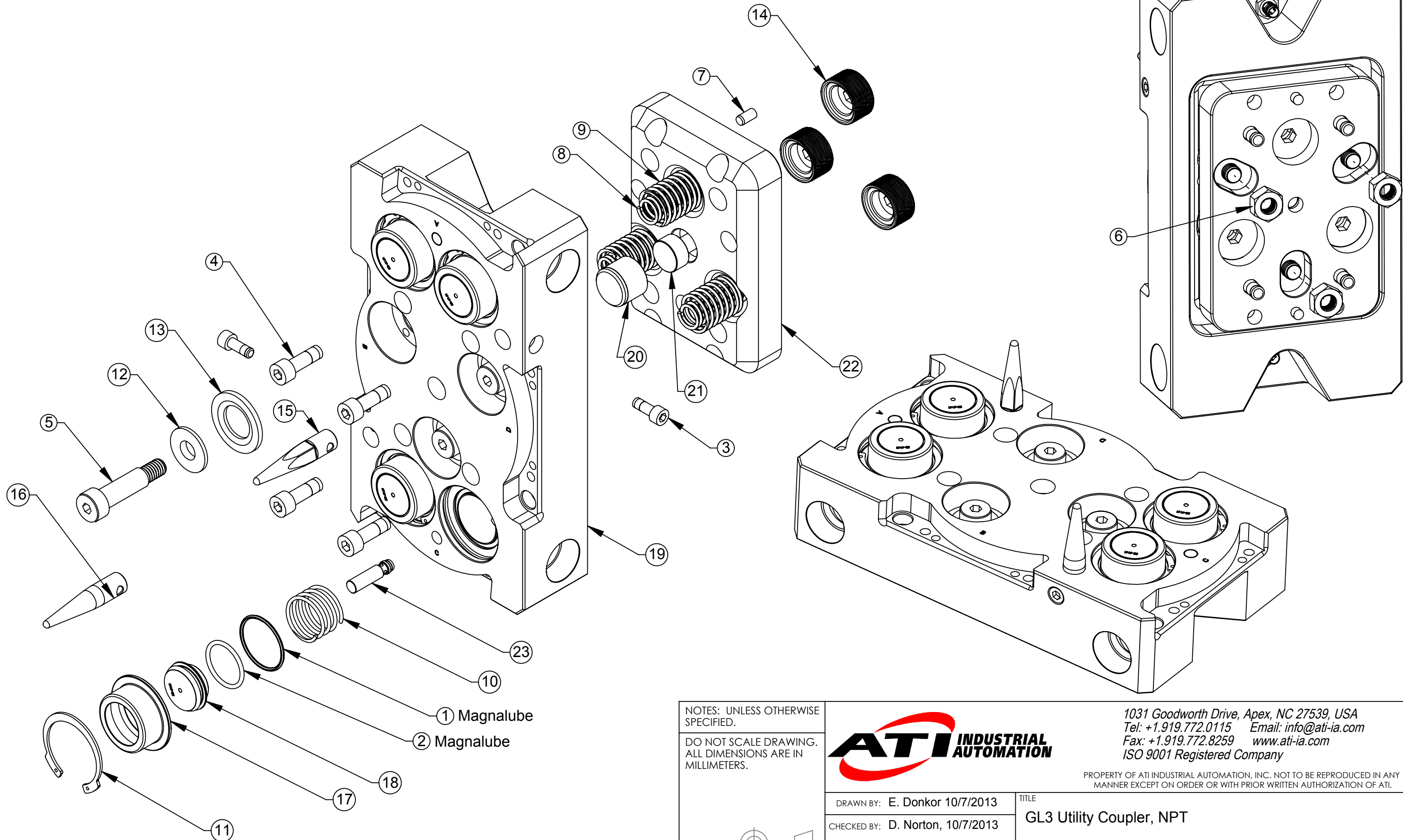


1031 Goodworth Drive, Apex, NC 27539, USA  
Tel: +1.919.772.0115 Email: info@ati-ia.com  
Fax: +1.919.772.8259 www.ati-ia.com  
ISO 9001 Registered Company  
PROPERTY OF ATI INDUSTRIAL AUTOMATION, INC. NOT TO BE REPRODUCED IN ANY MANNER EXCEPT ON ORDER OR WITH PRIOR WRITTEN AUTHORIZATION OF ATI.

DRAWN BY: E. Donkor 10/7/2013		TITLE	
CHECKED BY: D. Norton, 10/7/2013		GL3 Utility Coupler, NPT	
PROJECT # -	SHEET 1 OF 3	SCALE 1:2	REVISION 07
		SIZE B	DRAWING NUMBER 9630-20-GL3-N

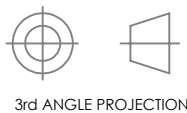


# GL3 Compliant Utility Coupler Master Assembly



NOTES: UNLESS OTHERWISE SPECIFIED.

DO NOT SCALE DRAWING. ALL DIMENSIONS ARE IN MILLIMETERS.

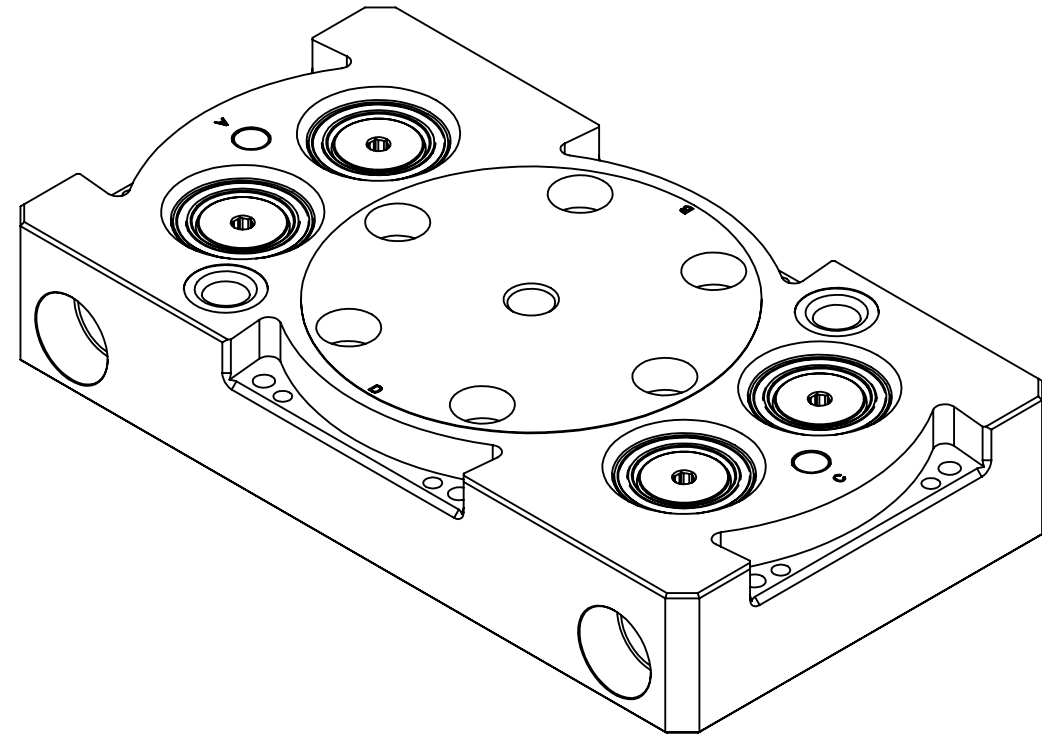
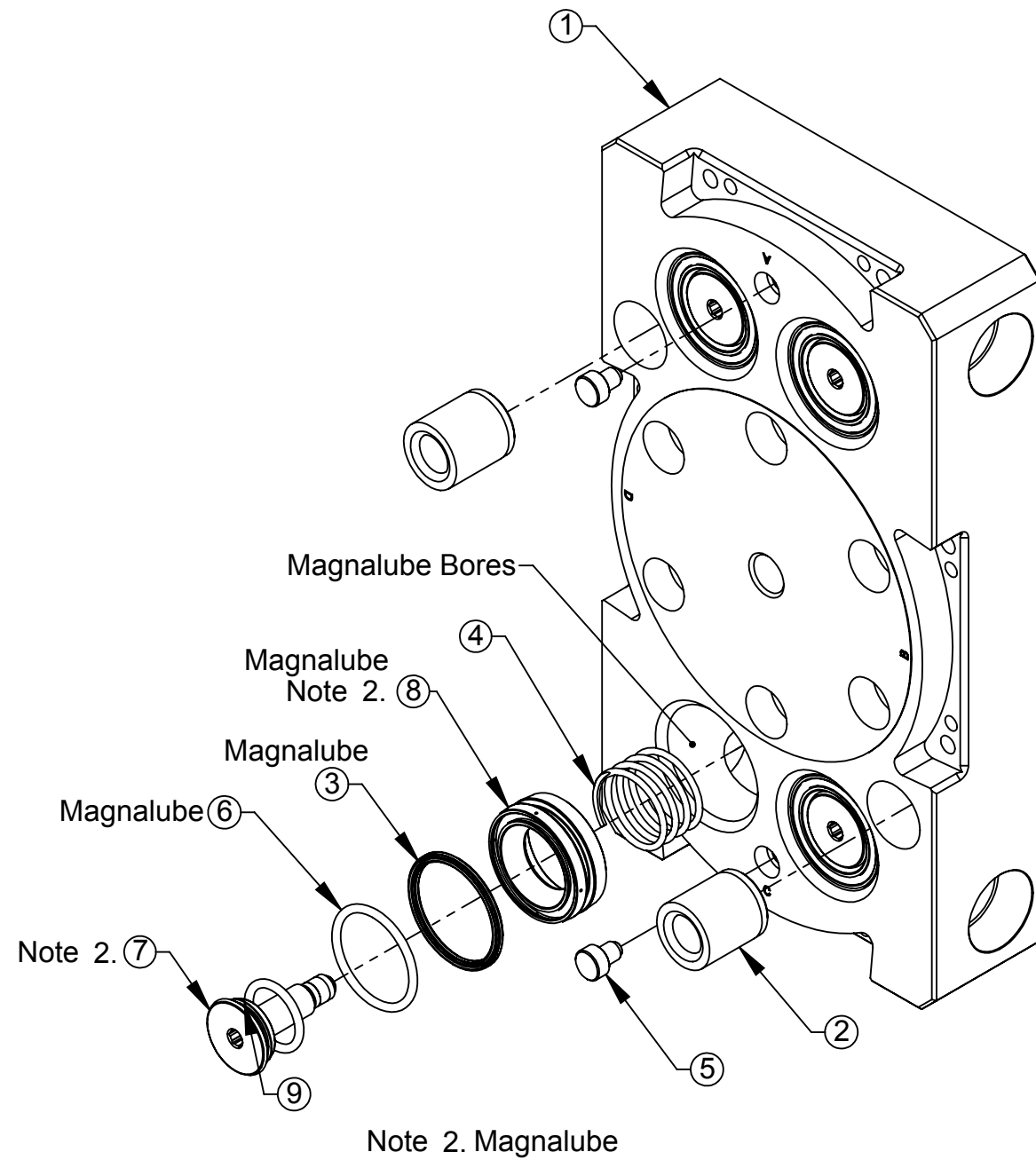


1031 Goodworth Drive, Apex, NC 27539, USA  
 Tel: +1.919.772.0115 Email: info@ati-ia.com  
 Fax: +1.919.772.8259 www.ati-ia.com  
 ISO 9001 Registered Company

PROPERTY OF ATI INDUSTRIAL AUTOMATION, INC. NOT TO BE REPRODUCED IN ANY MANNER EXCEPT ON ORDER OR WITH PRIOR WRITTEN AUTHORIZATION OF ATI.

DRAWN BY: E. Donkor 10/7/2013		TITLE		
CHECKED BY: D. Norton, 10/7/2013		GL3 Utility Coupler, NPT		
PROJECT # -	SHEET 2 OF 3	SCALE	SIZE	DRAWING NUMBER
		1:2	B	9630-20-GL3-N
				REVISION
				07

# GL3 Compliant Utility Coupler Tool Assembly



**Notes:**  
 2. See Manual for replacement parts, including older valve designs which require a spanner wrench for Stem installation. New Stems install with a hex wrench.

NOTES: UNLESS OTHERWISE SPECIFIED.

DO NOT SCALE DRAWING. ALL DIMENSIONS ARE IN MILLIMETERS.



3rd ANGLE PROJECTION

		1031 Goodworth Drive, Apex, NC 27539, USA Tel: +1.919.772.0115 Email: info@ati-ia.com Fax: +1.919.772.8259 www.ati-ia.com ISO 9001 Registered Company			
		PROPERTY OF ATI INDUSTRIAL AUTOMATION, INC. NOT TO BE REPRODUCED IN ANY MANNER EXCEPT ON ORDER OR WITH PRIOR WRITTEN AUTHORIZATION OF ATI.			
DRAWN BY: E. Donkor 10/7/2013 CHECKED BY: D. Norton, 10/7/2013		TITLE GL3 Utility Coupler, NPT			
PROJECT # - SHEET 3 OF 3		SCALE 1:2	SIZE B	DRAWING NUMBER 9630-20-GL3-N	REVISION 07