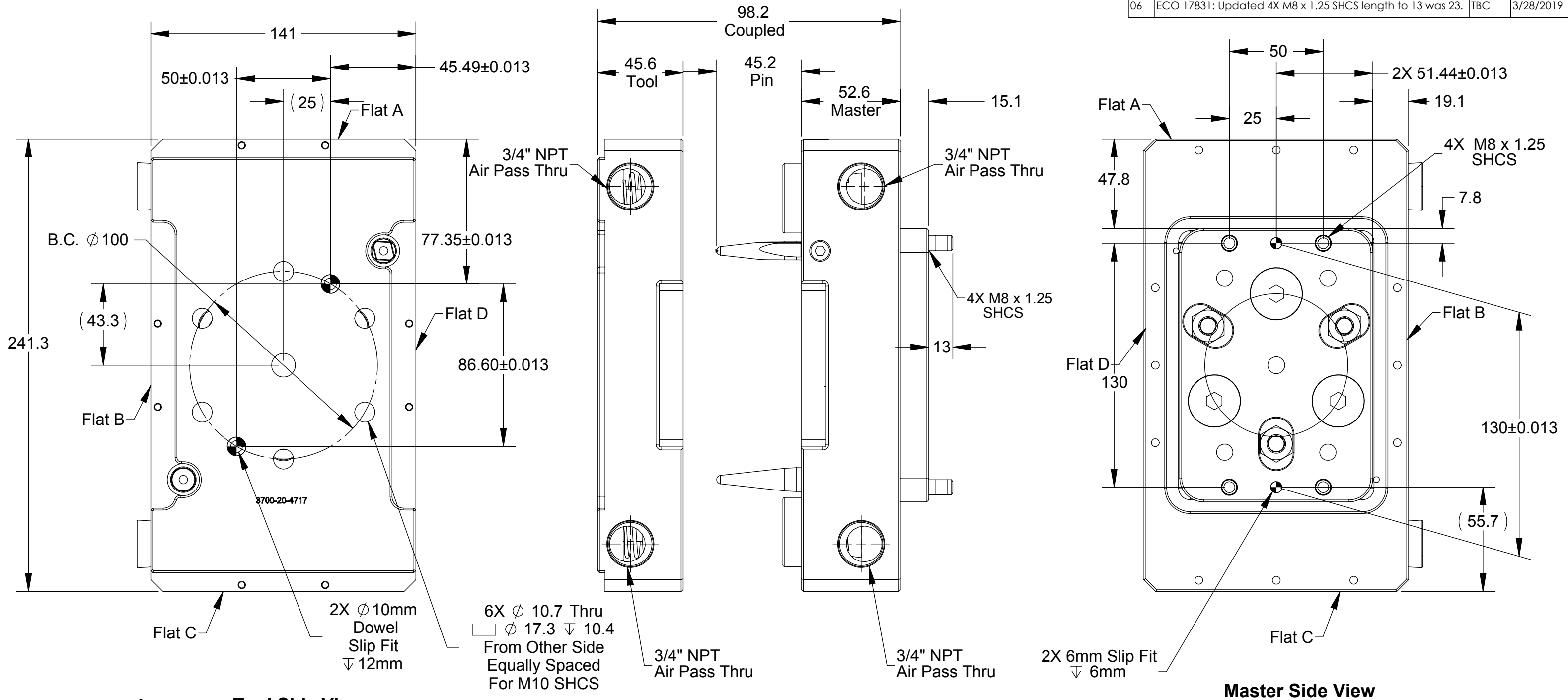
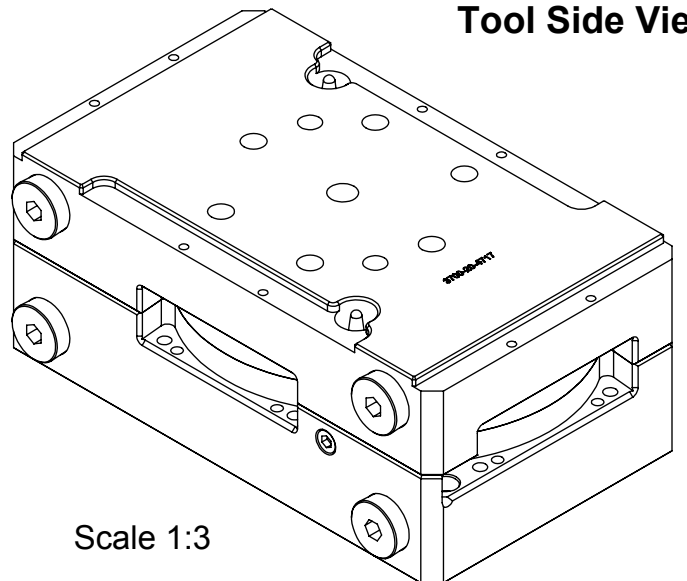


Rev.	Description	Initiator	Date
06	ECO 17831: Updated 4X M8 x 1.25 SHCS length to 13 was 23.	TBC	3/28/2019



Tool Side View

Master Side View



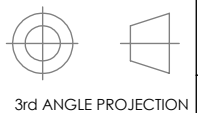
Scale 1:3

Part Numbers:
 (A) Master: 9123-GL2CM-0-0-0-0-N
 (B) Tool: 9123-GL2T-0-0-0-0-N

Notes:
 1. Continuous Coupling Force must be maintained in order to keep Master and Tool engaged.

NOTES: UNLESS OTHERWISE SPECIFIED.

DO NOT SCALE DRAWING. ALL DIMENSIONS ARE IN MILLIMETERS.

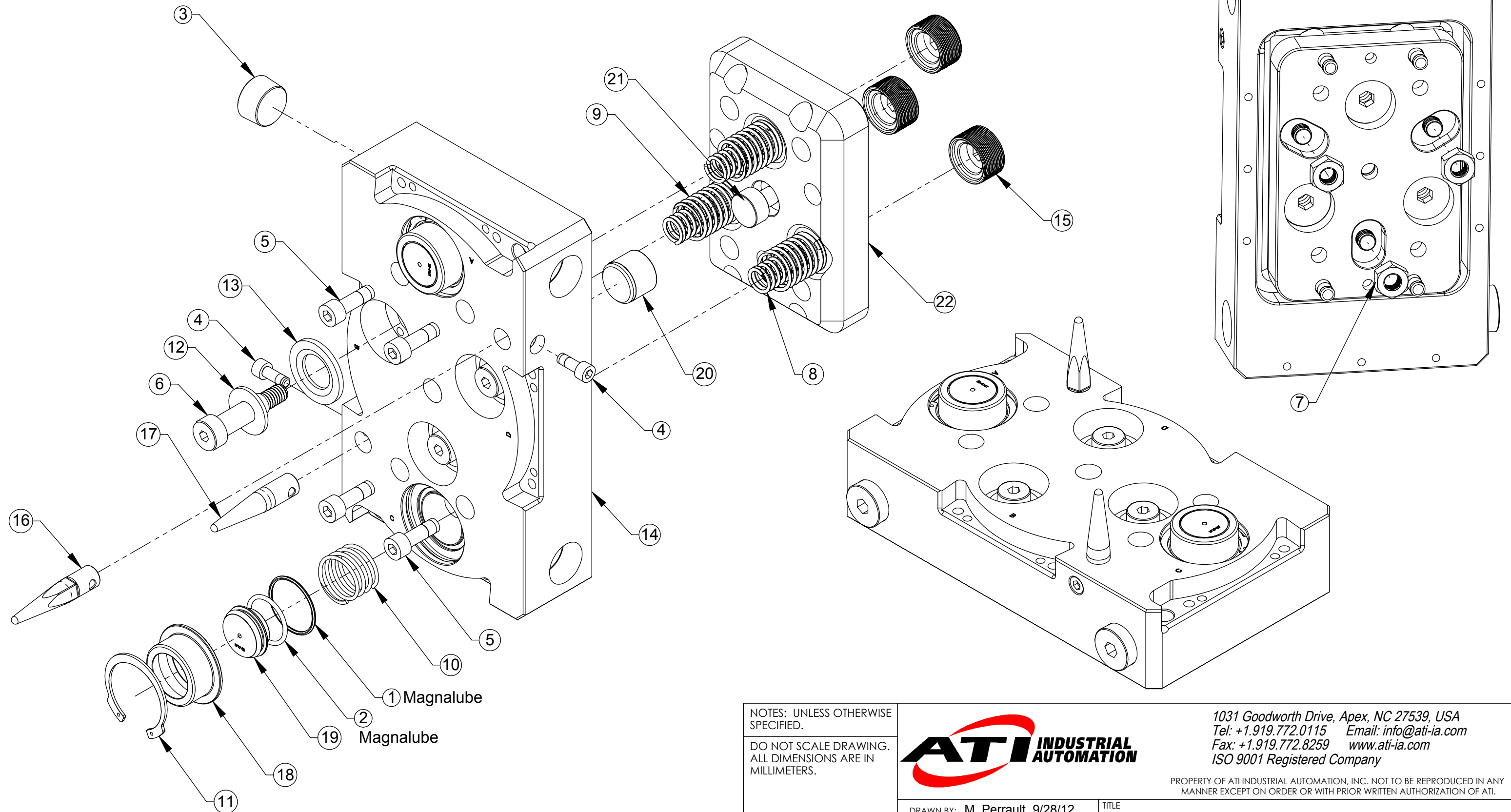


1031 Goodworth Drive, Apex, NC 27539, USA
 Tel: +1.919.772.0115 Email: info@ati-ia.com
 Fax: +1.919.772.8259 www.ati-ia.com
 ISO 9001 Registered Company

PROPERTY OF ATI INDUSTRIAL AUTOMATION, INC. NOT TO BE REPRODUCED IN ANY MANNER EXCEPT ON ORDER OR WITH PRIOR WRITTEN AUTHORIZATION OF ATI.

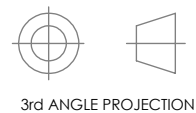
DRAWN BY: M. Perrault, 9/28/12		TITLE	
CHECKED BY: D. Norton, 11/6/12		GL2 Compliant Utility Coupler, NPT	
PROJECT # -	SHEET 1 OF 3	SCALE	SIZE
		1:5	B
DRAWING NUMBER		REVISION	
9630-20-GL2-N		06	

GL2 Compliant Utility Coupler Master Assembly



NOTES: UNLESS OTHERWISE SPECIFIED.

DO NOT SCALE DRAWING. ALL DIMENSIONS ARE IN MILLIMETERS.

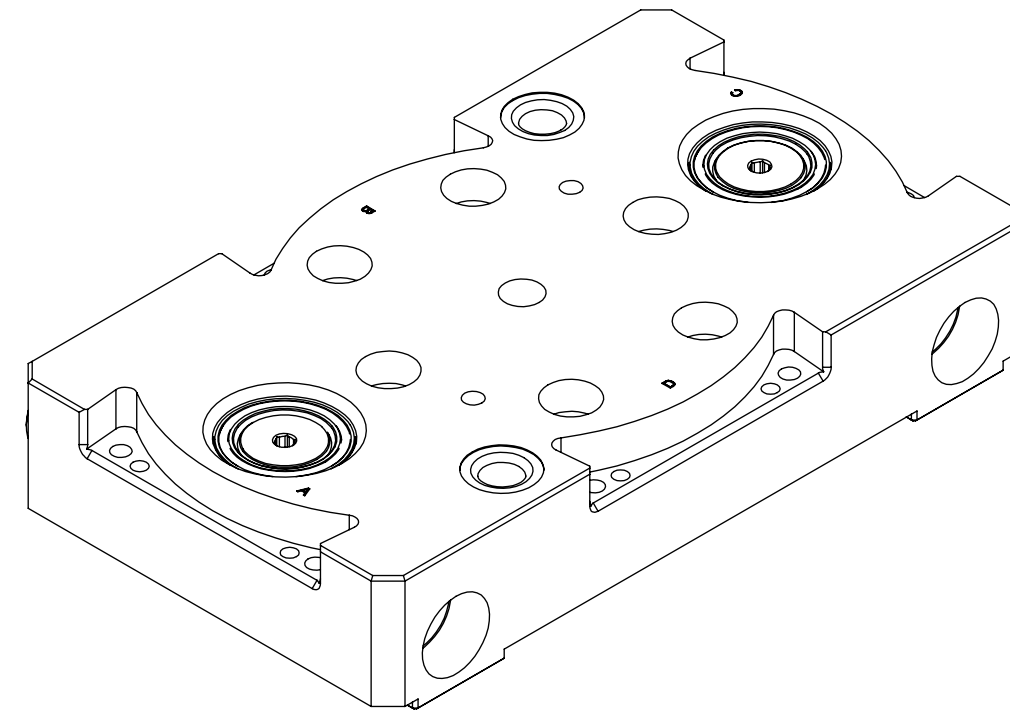
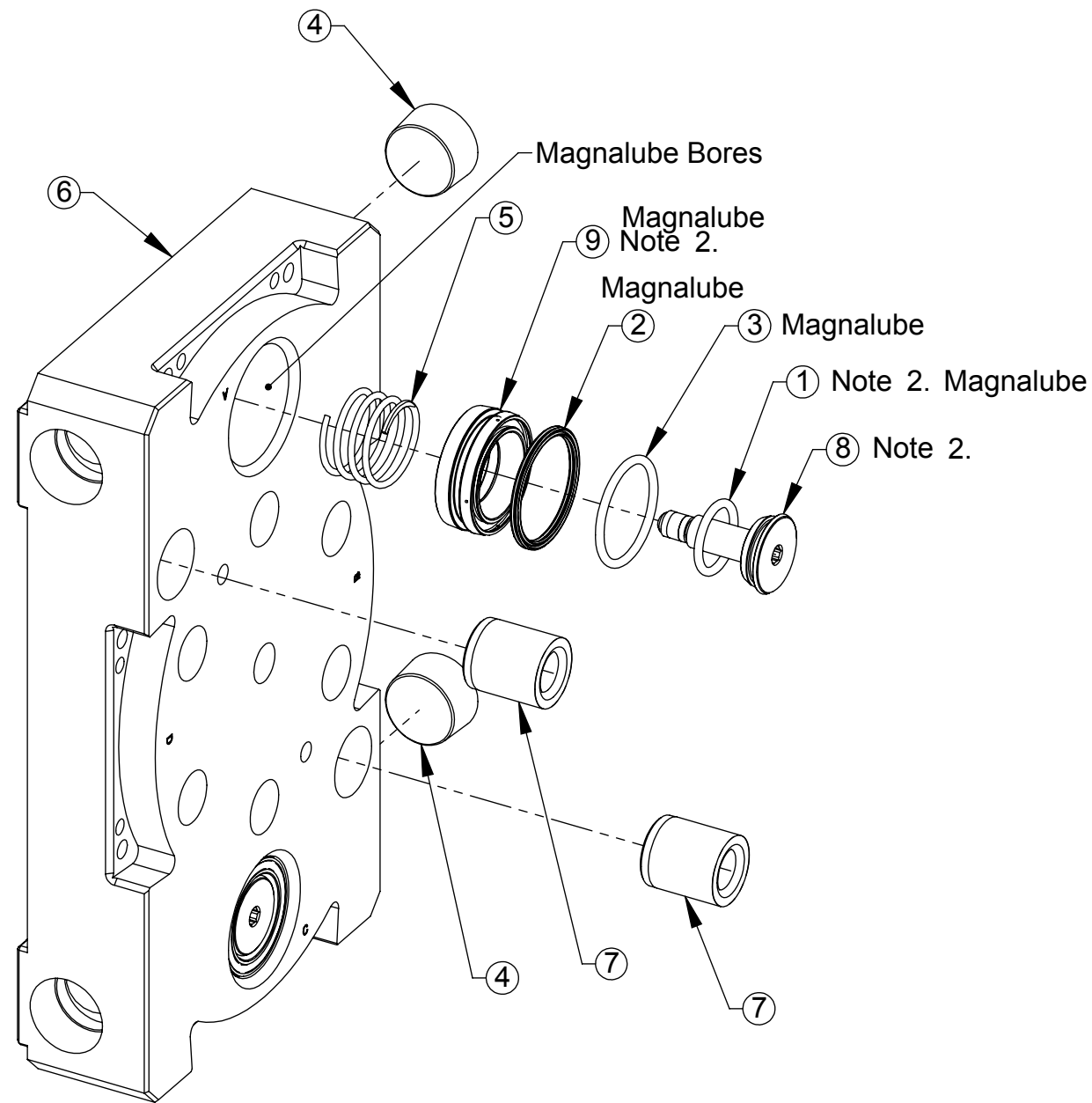


1031 Goodworth Drive, Apex, NC 27539, USA
 Tel: +1.919.772.0115 Email: info@ati-ia.com
 Fax: +1.919.772.8259 www.ati-ia.com
 ISO 9001 Registered Company

PROPERTY OF ATI INDUSTRIAL AUTOMATION, INC. NOT TO BE REPRODUCED IN ANY MANNER EXCEPT ON ORDER OR WITH PRIOR WRITTEN AUTHORIZATION OF ATI.

DRAWN BY: M. Perrault, 9/28/12		TITLE		
CHECKED BY: D. Norton, 11/6/12		GL2 Compliant Utility Coupler, NPT		
PROJECT # -	SHEET 2 OF 3	SCALE	SIZE	DRAWING NUMBER
		1:5	B	9630-20-GL2-N
				REVISION
				06

GL2 Compliant Utility Coupler Tool Assembly



- Notes:
- See Manual for replacement parts, including older valve designs which require a spanner wrench for Stem installation. New Stems install with a hex wrench.

NOTES: UNLESS OTHERWISE SPECIFIED.

DO NOT SCALE DRAWING. ALL DIMENSIONS ARE IN MILLIMETERS.



3rd ANGLE PROJECTION



1031 Goodworth Drive, Apex, NC 27539, USA
 Tel: +1.919.772.0115 Email: info@ati-ia.com
 Fax: +1.919.772.8259 www.ati-ia.com
 ISO 9001 Registered Company

PROPERTY OF ATI INDUSTRIAL AUTOMATION, INC. NOT TO BE REPRODUCED IN ANY MANNER EXCEPT ON ORDER OR WITH PRIOR WRITTEN AUTHORIZATION OF ATI.

DRAWN BY: M. Perrault, 9/28/12		TITLE	
CHECKED BY: D. Norton, 11/6/12		GL2 Compliant Utility Coupler, NPT	
PROJECT # -	SHEET 3 OF 3	SCALE	SIZE
		1:2	B
		DRAWING NUMBER	REVISION
		9630-20-GL2-N	06