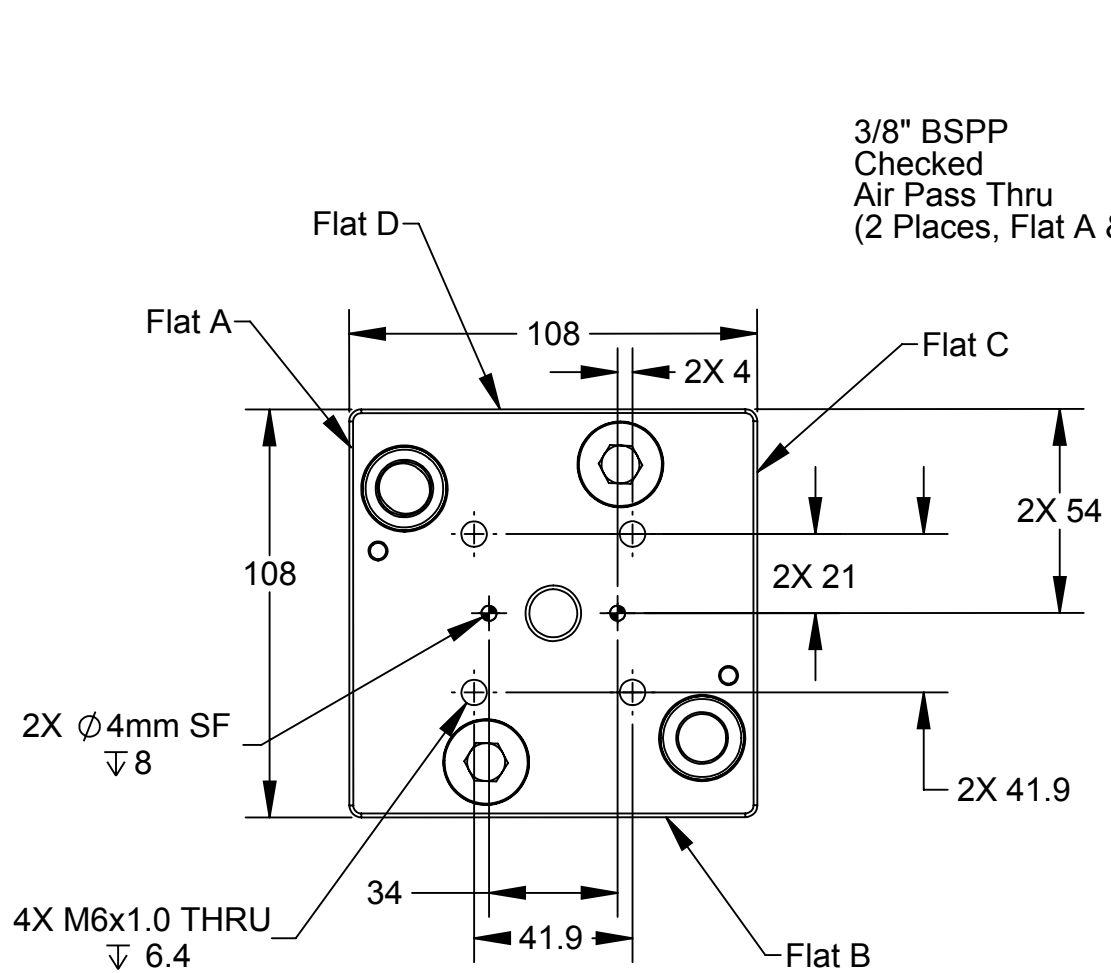
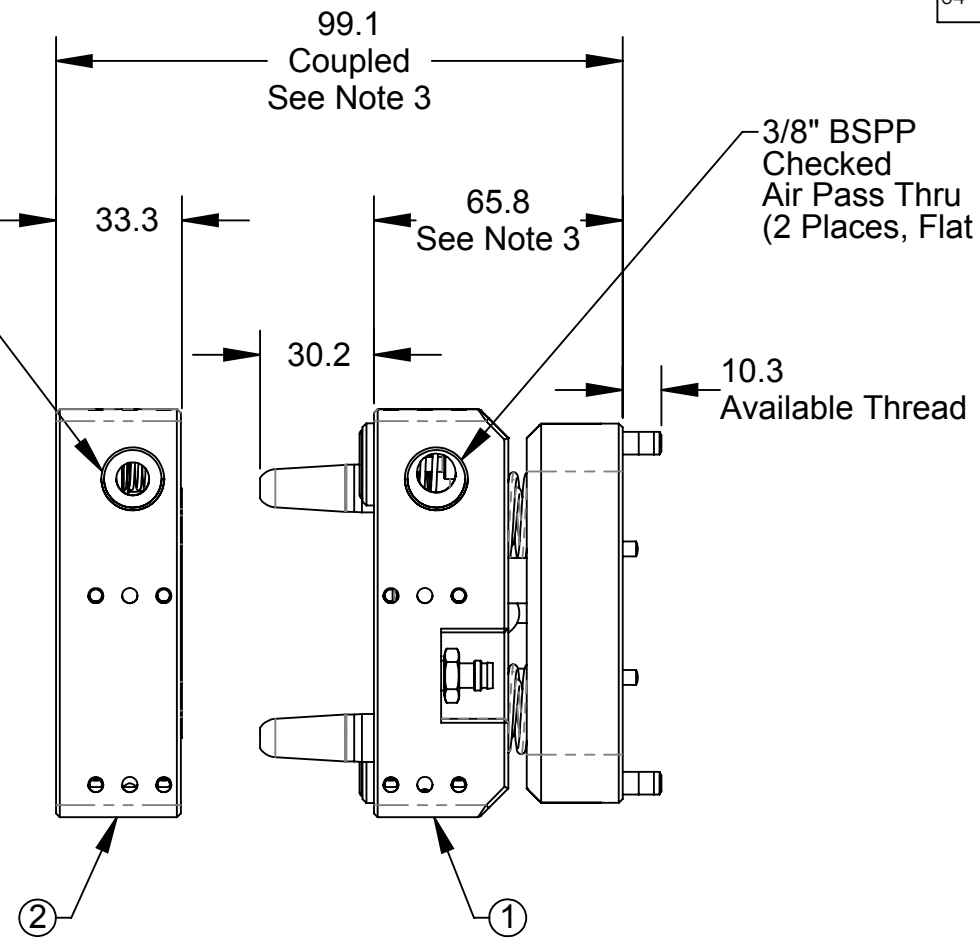


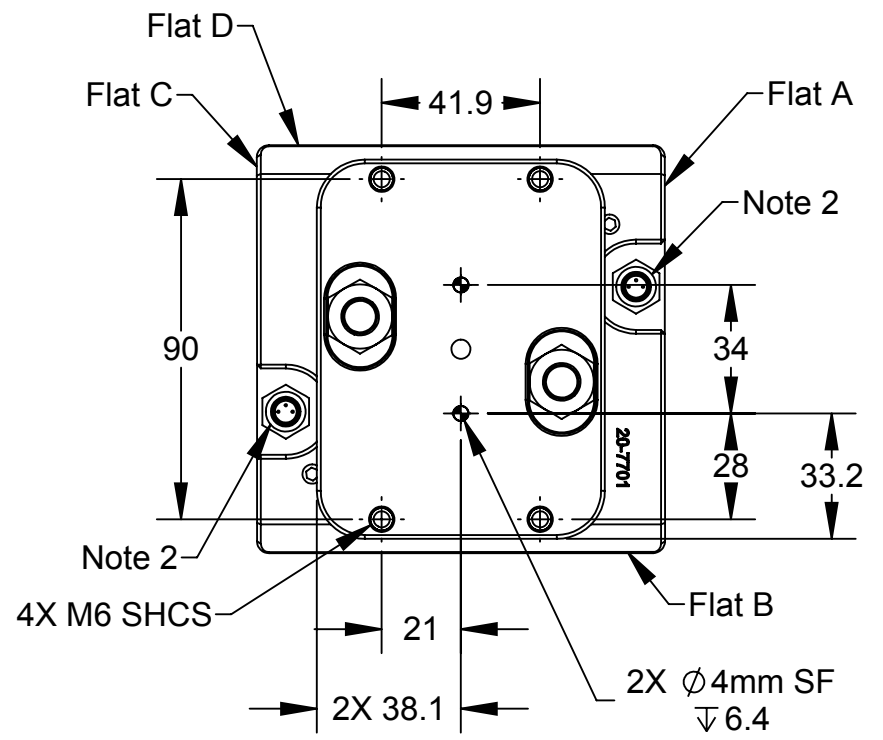
| Rev. | Description | Initiator | Date |
|------|---|-----------|----------|
| 04 | ECO 15118; Updated model to reflect new Master Side BOM structure | SZJ | 2/3/2017 |



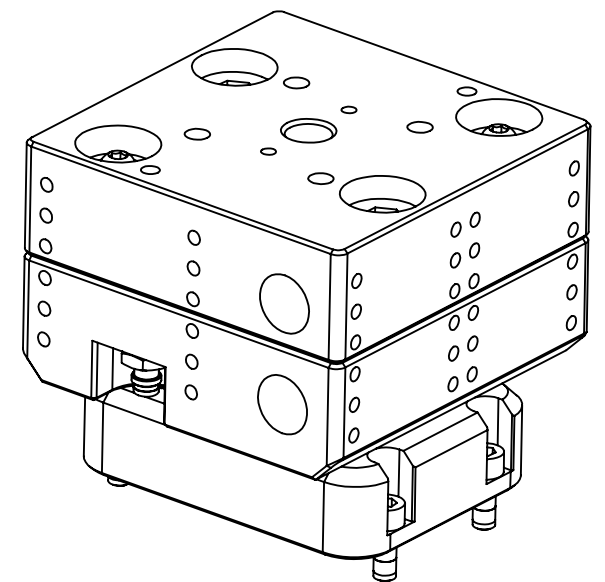
Tool Side View



Side View, Uncoupled



Master Side View



- Notes:
1. Continuous Coupling Force must be maintained in order to keep Master and Tool engaged.
 2. Master side SG models feature 2x 3-Wire PNP prox sensors to detect tool presence, M8 quick disconnect style.
 3. Master side coupler body compressed 2mm - 4mm when coupled.

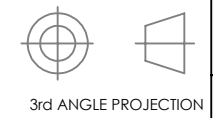
| ITEM NO. | QTY | PART NUMBER | DESCRIPTION |
|----------|-----|---------------------------|---|
| 1 | 1 | 9123-GK2CM-0-00-0-00-SG-E | GK2 Compliant Utility Coupler Master +/-4mm X-Y, 3 Degrees Angular, (2) 3/8" BSPP Checked Air Ports, (2) DC PNP Sensors |
| 2 | 1 | 9123-GK2T-0-00-0-00-E | GK2 Utility Coupler Tool for Master, (2) Integrated Checked 3/8" BSPP Air Ports |

NOTES: UNLESS OTHERWISE SPECIFIED.
DO NOT SCALE DRAWING. ALL DIMENSIONS ARE IN MILLIMETERS.



1031 Goodworth Drive, Apex, NC 27539, USA
Tel: +1.919.772.0115 Email: info@ati-ia.com
Fax: +1.919.772.8259 www.ati-ia.com
ISO 9001 Registered Company

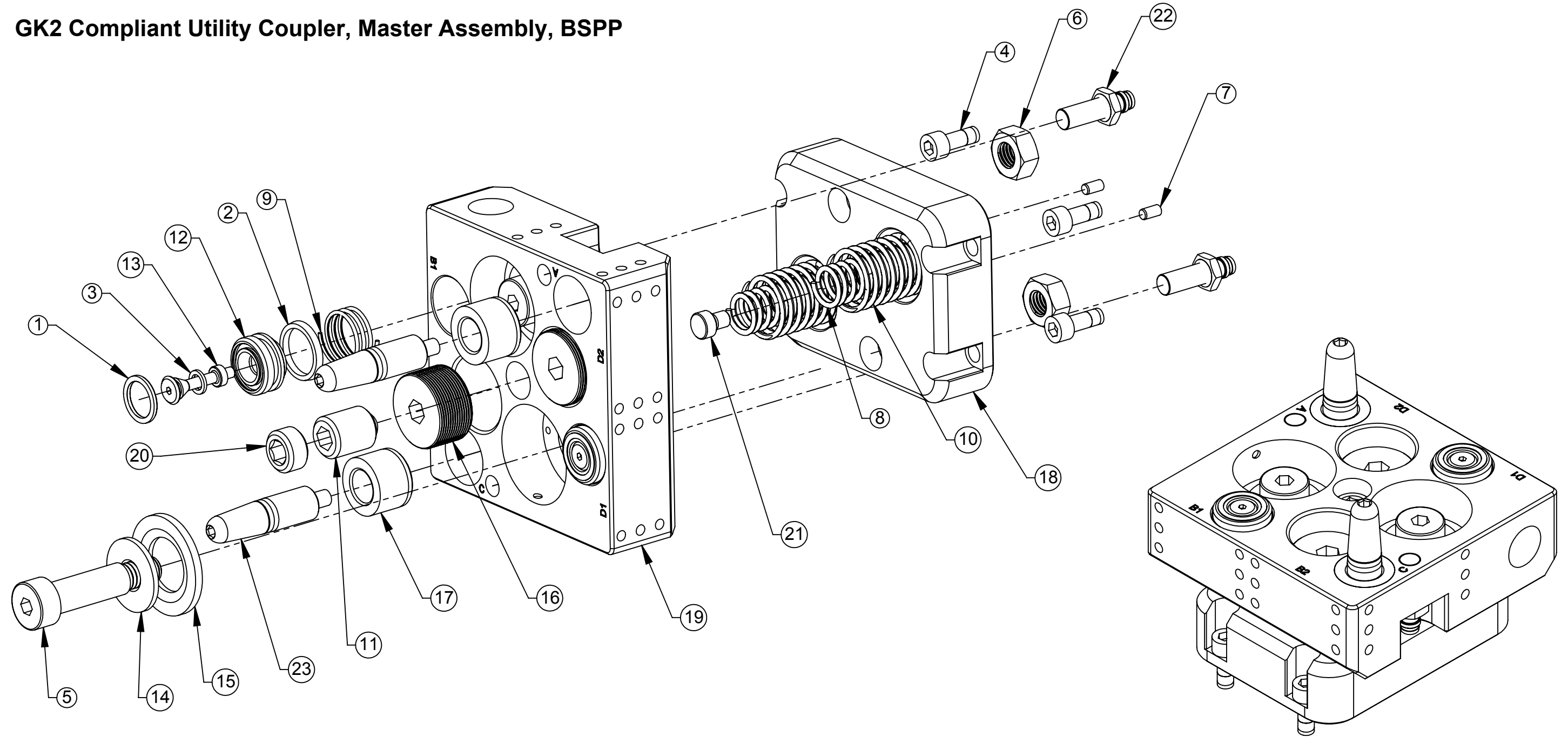
PROPERTY OF ATI INDUSTRIAL AUTOMATION, INC. NOT TO BE REPRODUCED IN ANY MANNER EXCEPT ON ORDER OR WITH PRIOR WRITTEN AUTHORIZATION OF ATI.



| | | | |
|---------------------------------|--------|-------------------------------|---------------|
| DRAWN BY: M. Perrault, 7/2/12 | | TITLE | |
| CHECKED BY: D. Norton, 10/12/12 | | GK2 Compliant Utility Coupler | |
| PROJECT # | ----- | SCALE | 1:2 |
| SHEET | 1 OF 3 | SIZE | B |
| | | DRAWING NUMBER | 9630-20-GK2-E |
| | | | REVISION |
| | | | 04 |

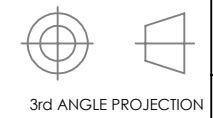
| Rev. | Description | Initiator | Date |
|------|-------------|-----------|------|
| - | See Sheet1 | - | - |

GK2 Compliant Utility Coupler, Master Assembly, BSPP



NOTES: UNLESS OTHERWISE SPECIFIED.

DO NOT SCALE DRAWING. ALL DIMENSIONS ARE IN MILLIMETERS.



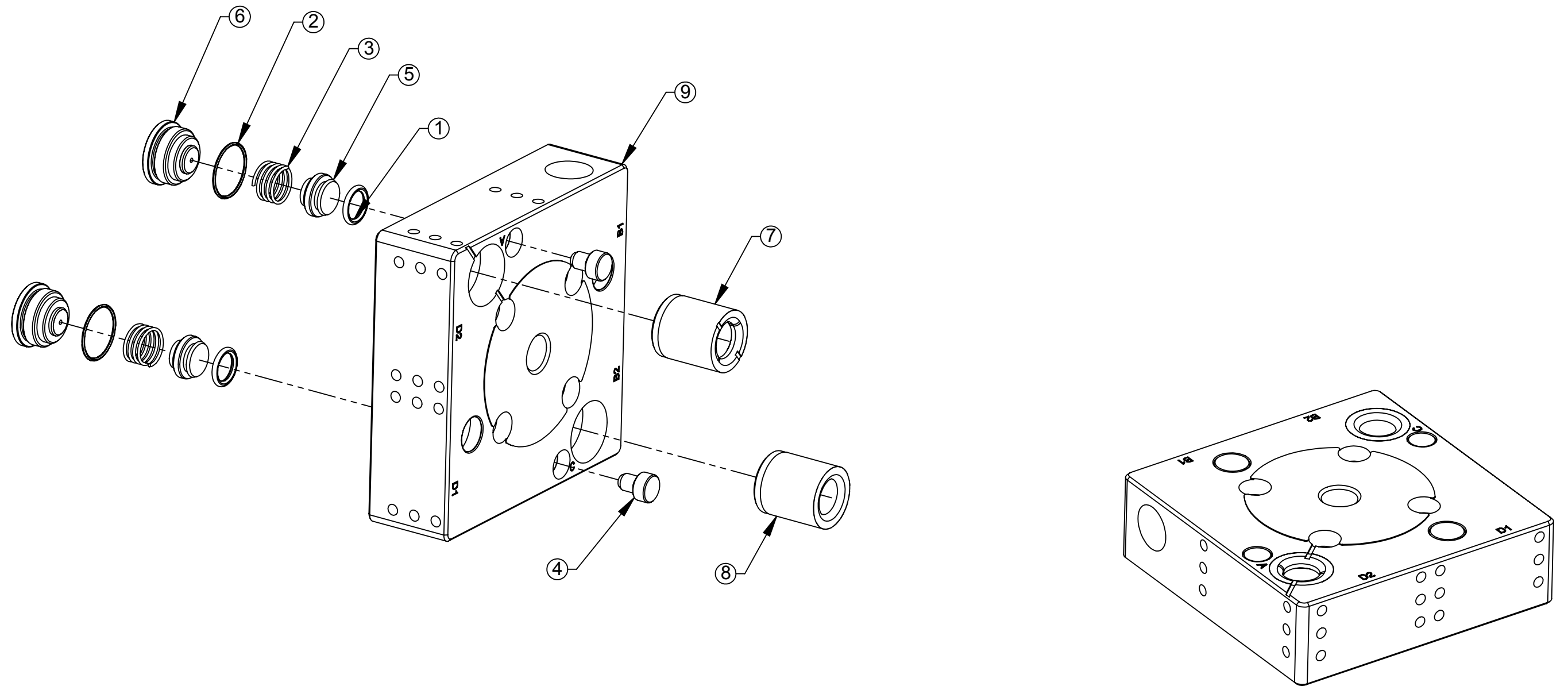
1031 Goodworth Drive, Apex, NC 27539, USA
 Tel: +1.919.772.0115 Email: info@ati-ia.com
 Fax: +1.919.772.8259 www.ati-ia.com
 ISO 9001 Registered Company

PROPERTY OF ATI INDUSTRIAL AUTOMATION, INC. NOT TO BE REPRODUCED IN ANY MANNER EXCEPT ON ORDER OR WITH PRIOR WRITTEN AUTHORIZATION OF ATI.

| | | | |
|---------------------------------|--------------|-------------------------------|----------|
| DRAWN BY: M. Perrault, 7/2/12 | | TITLE | |
| CHECKED BY: D. Norton, 10/12/12 | | GK2 Compliant Utility Coupler | |
| PROJECT # ----- | SHEET 2 OF 3 | SCALE | SIZE |
| | | 2:3 | B |
| | | DRAWING NUMBER | REVISION |
| | | 9630-20-GK2-E | 04 |

| Rev. | Description | Initiator | Date |
|------|-------------|-----------|------|
| - | See Sheet1 | - | - |

GK2 Compliant Utility Coupler, Tool Assembly, BSPP



NOTES: UNLESS OTHERWISE SPECIFIED.

DO NOT SCALE DRAWING. ALL DIMENSIONS ARE IN MILLIMETERS.



3rd ANGLE PROJECTION



1031 Goodworth Drive, Apex, NC 27539, USA
 Tel: +1.919.772.0115 Email: info@ati-ia.com
 Fax: +1.919.772.8259 www.ati-ia.com
 ISO 9001 Registered Company

PROPERTY OF ATI INDUSTRIAL AUTOMATION, INC. NOT TO BE REPRODUCED IN ANY MANNER EXCEPT ON ORDER OR WITH PRIOR WRITTEN AUTHORIZATION OF ATI.

| | | | |
|---------------------------------|--------------|-------------------------------|----------|
| DRAWN BY: M. Perrault, 7/2/12 | | TITLE | |
| CHECKED BY: D. Norton, 10/12/12 | | GK2 Compliant Utility Coupler | |
| PROJECT # ----- | SHEET 3 OF 3 | SCALE | SIZE |
| | | 2:3 | B |
| | | DRAWING NUMBER | REVISION |
| | | 9630-20-GK2-E | 04 |