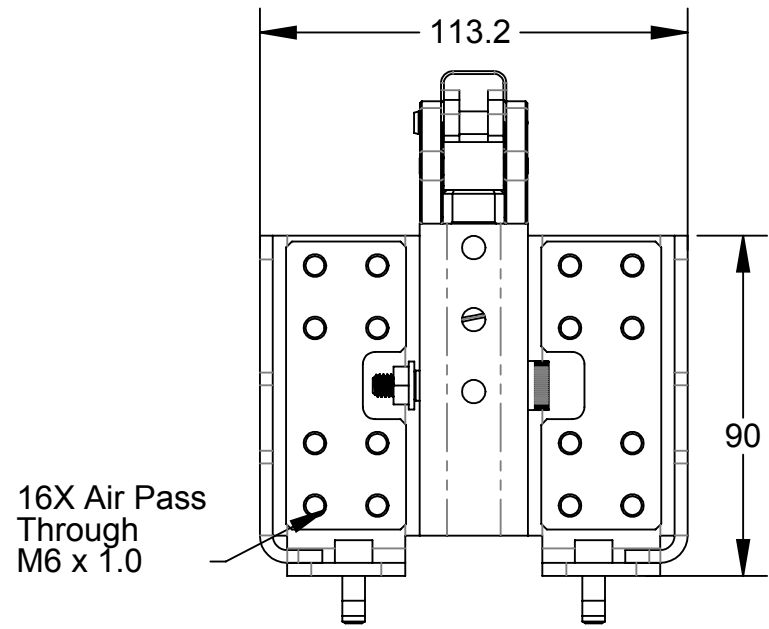
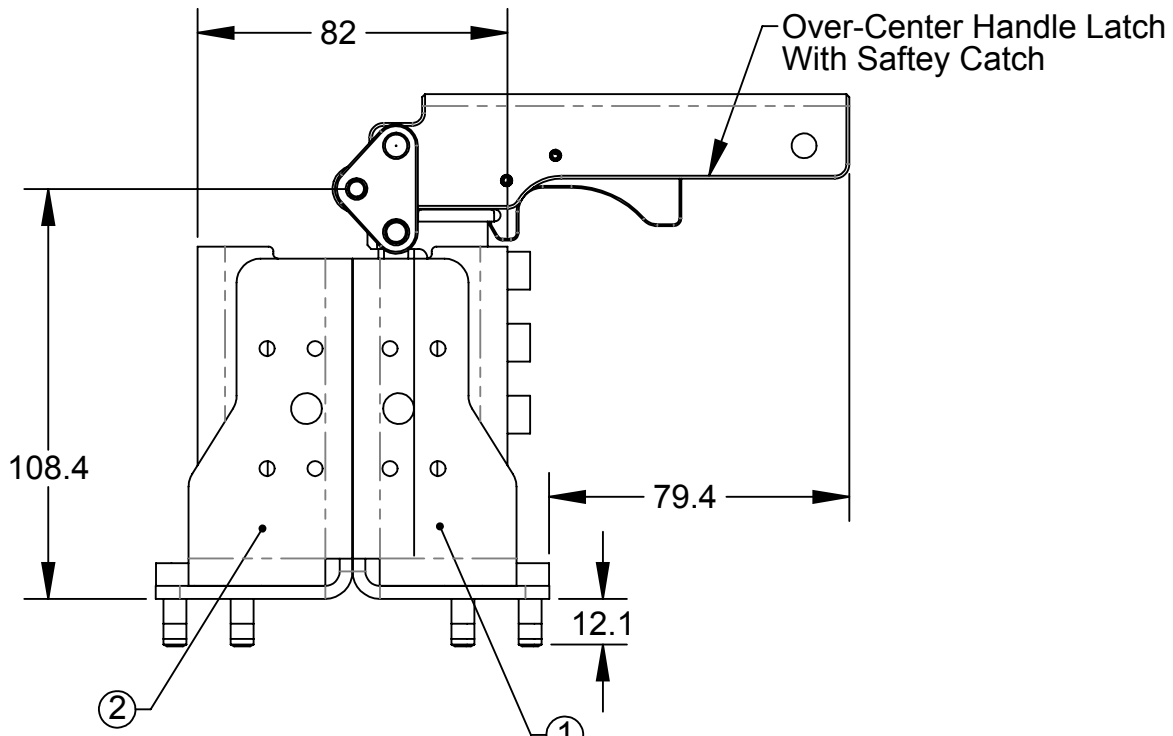


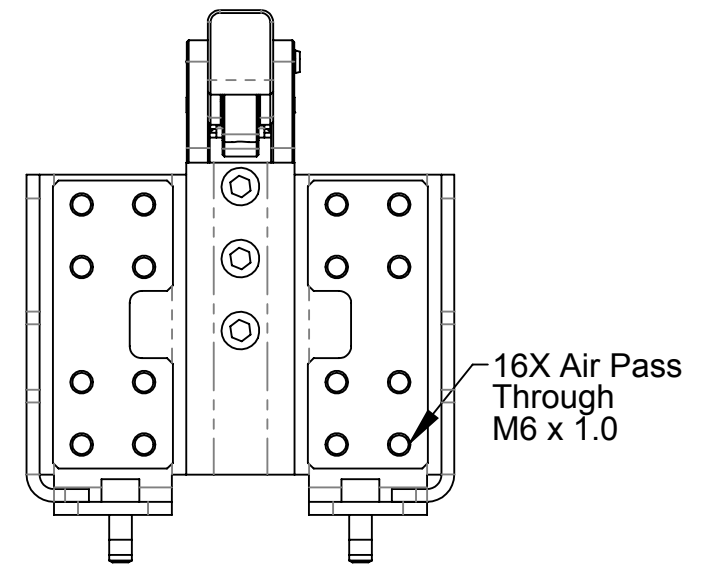
Rev.	Description	Initiator	Date
02	Eco 15719; Handle 9005-20-8478 was 9005-20-2016	LJH	6/20/17



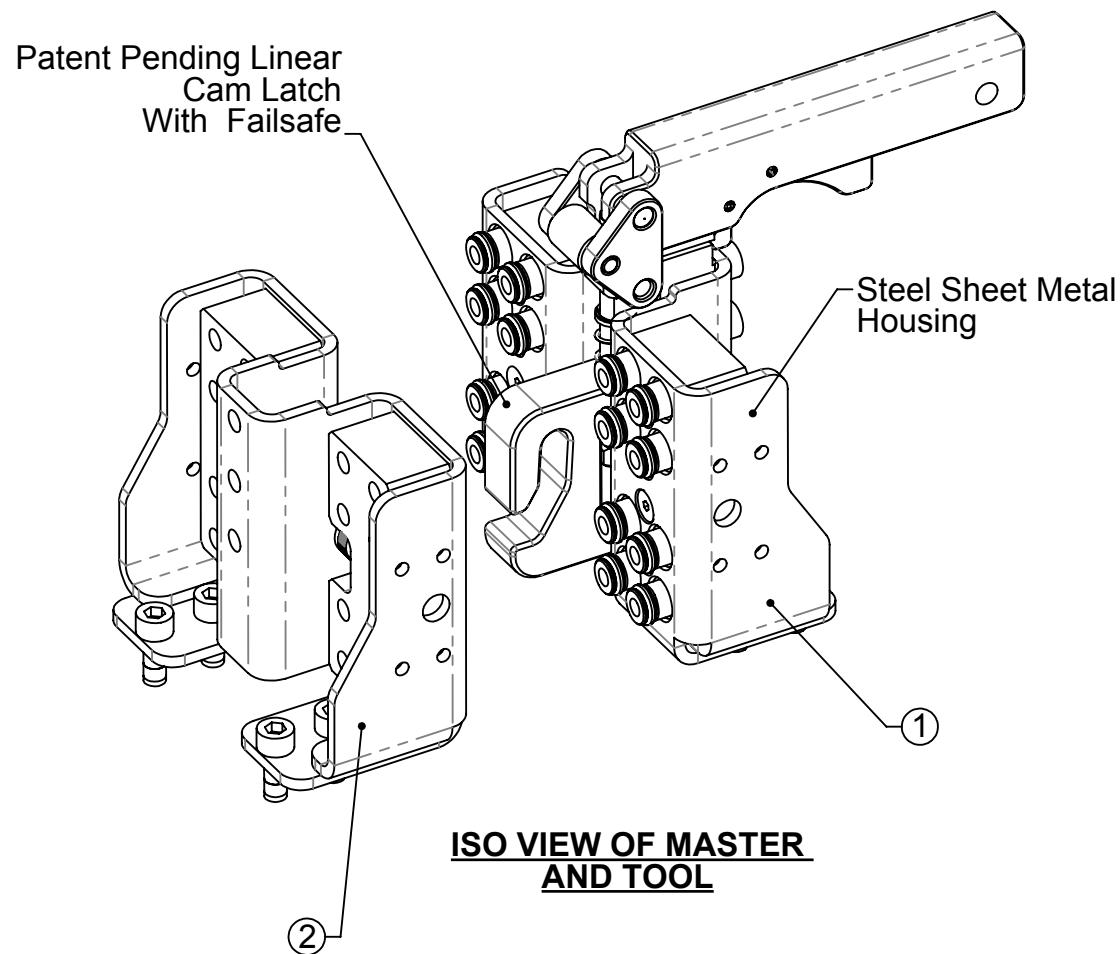
TOOL SIDE UTILITY CONNECTION VIEW



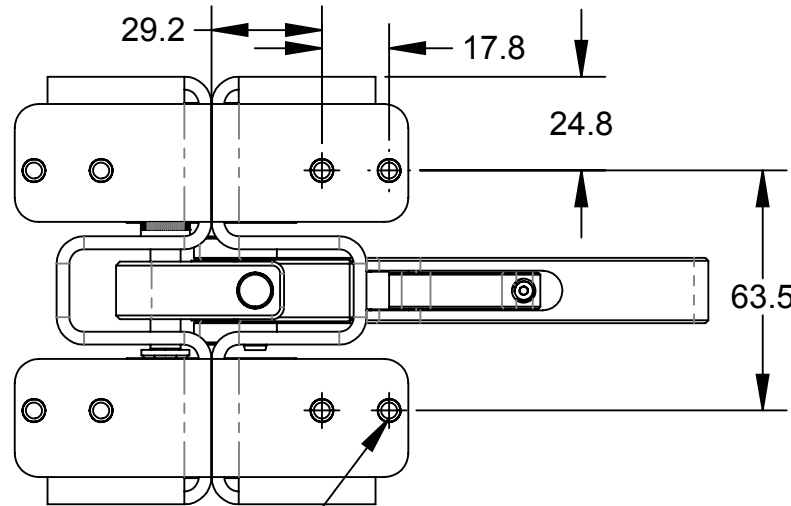
SIDE VIEW COUPLED



MASTER SIDE UTILITY CONNECTION VIEW



ISO VIEW OF MASTER AND TOOL



4X M6 SHCS Included
Same Pattern on
Master and Tool

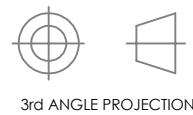
Notes:

1. Base Unit Features 16X Integrated Air Pass through for M6 x 1.0 Fittings
2. Fittings not included
3. Utility lines should be depressurized during coupling and uncoupling
4. Materials of construction: Black Oxide Steel, Aluminum and Hardened Steel.

ITEM NO.	QTY.	PART NUMBER	DESCRIPTION
1	1	9123-GH2M-0-0-M	GH2 Base Master Manual Utility Coupler, 16 Port Pass Through, M6
2	1	9123-GH2T-0-0-M	GH2 Base Tool Manual Utility Coupler, 16 Port Pass Through, M6

NOTES: UNLESS OTHERWISE SPECIFIED.

DO NOT SCALE DRAWING. ALL DIMENSIONS ARE IN MILLIMETERS.



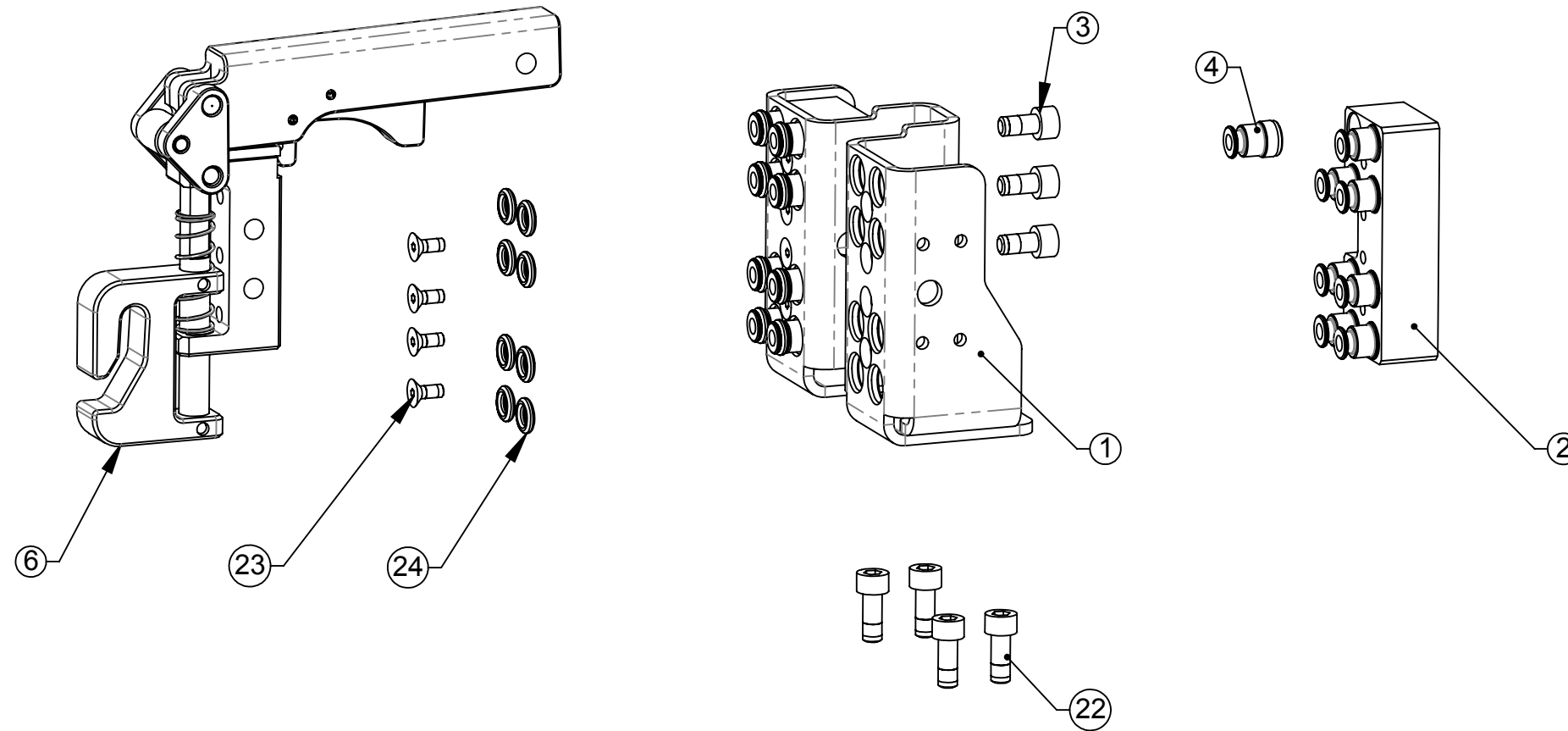
1031 Goodworth Drive, Apex, NC 27539, USA
Tel: +1.919.772.0115 Email: info@ati-ia.com
Fax: +1.919.772.8259 www.ati-ia.com
ISO 9001 Registered Company

PROPERTY OF ATI INDUSTRIAL AUTOMATION, INC. NOT TO BE REPRODUCED IN ANY MANNER EXCEPT ON ORDER OR WITH PRIOR WRITTEN AUTHORIZATION OF ATI.

DRAWN BY: Dan Norton 6/12/12		TITLE	
CHECKED BY: KRZ 9/23/13		Manual Utility Coupler with 16 integrated air pass through	
PROJECT # 110311-1	SHEET 1 OF 3	SCALE 1:2	SIZE B
		DRAWING NUMBER 9630-20-GH2-M	REVISION 02

Rev.	Description	Initiator	Date
-	See Sheet1	-	-

GH2 METRIC, MASTER EXPLODED VIEW



NOTES: UNLESS OTHERWISE SPECIFIED.

DO NOT SCALE DRAWING. ALL DIMENSIONS ARE IN MILLIMETERS.



3rd ANGLE PROJECTION



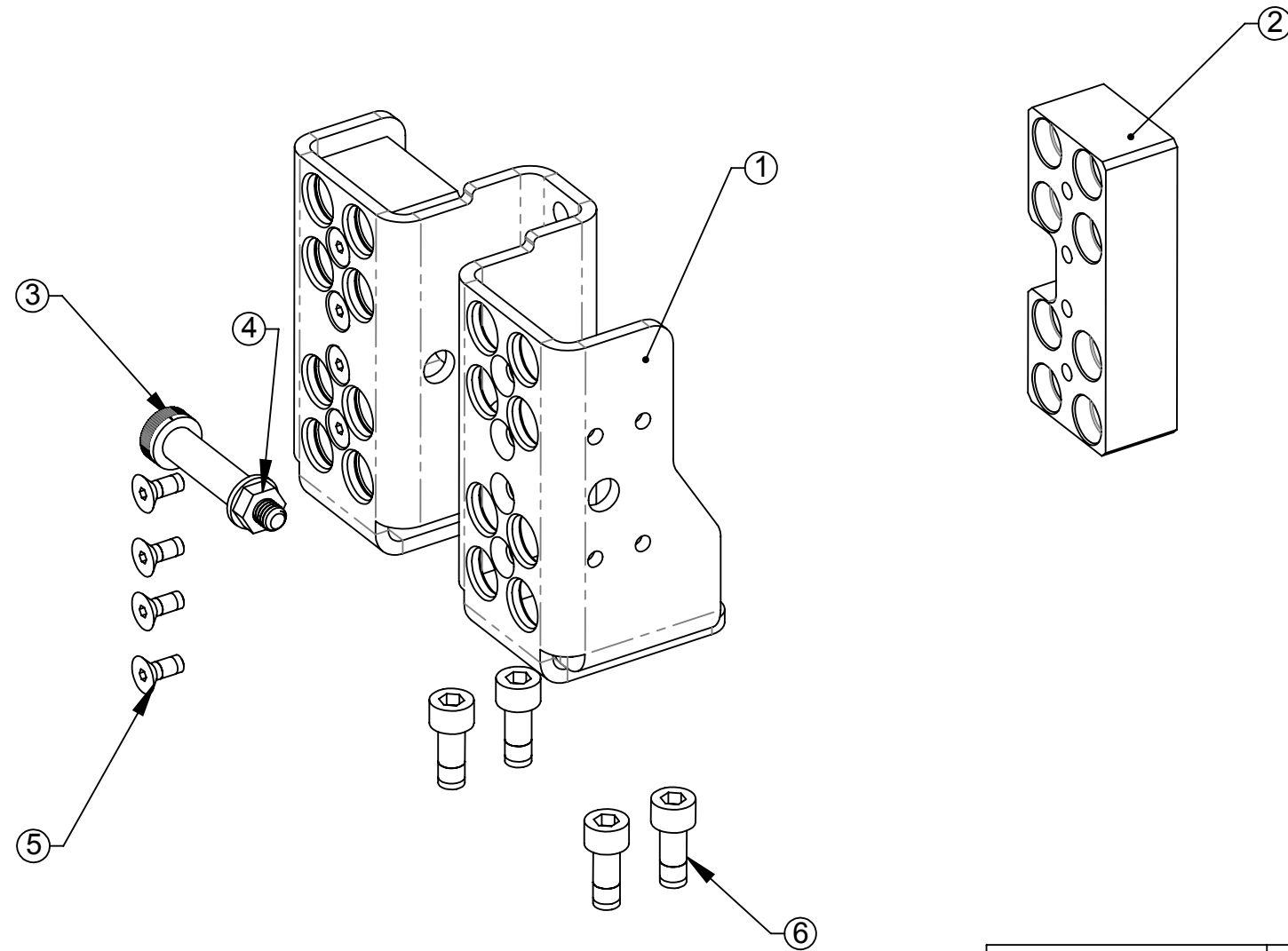
1031 Goodworth Drive, Apex, NC 27539, USA
 Tel: +1.919.772.0115 Email: info@ati-ia.com
 Fax: +1.919.772.8259 www.ati-ia.com
 ISO 9001 Registered Company

PROPERTY OF ATI INDUSTRIAL AUTOMATION, INC. NOT TO BE REPRODUCED IN ANY MANNER EXCEPT ON ORDER OR WITH PRIOR WRITTEN AUTHORIZATION OF ATI.

DRAWN BY: Dan Norton 6/12/12		TITLE	
CHECKED BY: KRZ 9/23/13		Manual Utility Coupler with 16 integrated air pass through	
SCALE	SIZE	DRAWING NUMBER	REVISION
1:2	B	9630-20-GH2-M	02
PROJECT # 110311-1 SHEET 2 OF 3			

Rev.	Description	Initiator	Date
-	See Sheet1	-	-

GH2 METRIC, TOOL EXPLODED VIEW



NOTES: UNLESS OTHERWISE SPECIFIED.

DO NOT SCALE DRAWING. ALL DIMENSIONS ARE IN MILLIMETERS.



3rd ANGLE PROJECTION



1031 Goodworth Drive, Apex, NC 27539, USA
 Tel: +1.919.772.0115 Email: info@ati-ia.com
 Fax: +1.919.772.8259 www.ati-ia.com
 ISO 9001 Registered Company

PROPERTY OF ATI INDUSTRIAL AUTOMATION, INC. NOT TO BE REPRODUCED IN ANY MANNER EXCEPT ON ORDER OR WITH PRIOR WRITTEN AUTHORIZATION OF ATI.

DRAWN BY: Dan Norton 6/12/12		TITLE	
CHECKED BY: KRZ 9/23/13		Manual Utility Coupler with 16 integrated air pass through	
PROJECT # 110311-1	SHEET 3 OF 3	SCALE 1:1.5	REVISION 02
SIZE B	DRAWING NUMBER 9630-20-GH2-M		