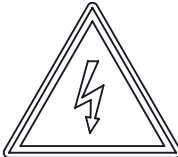


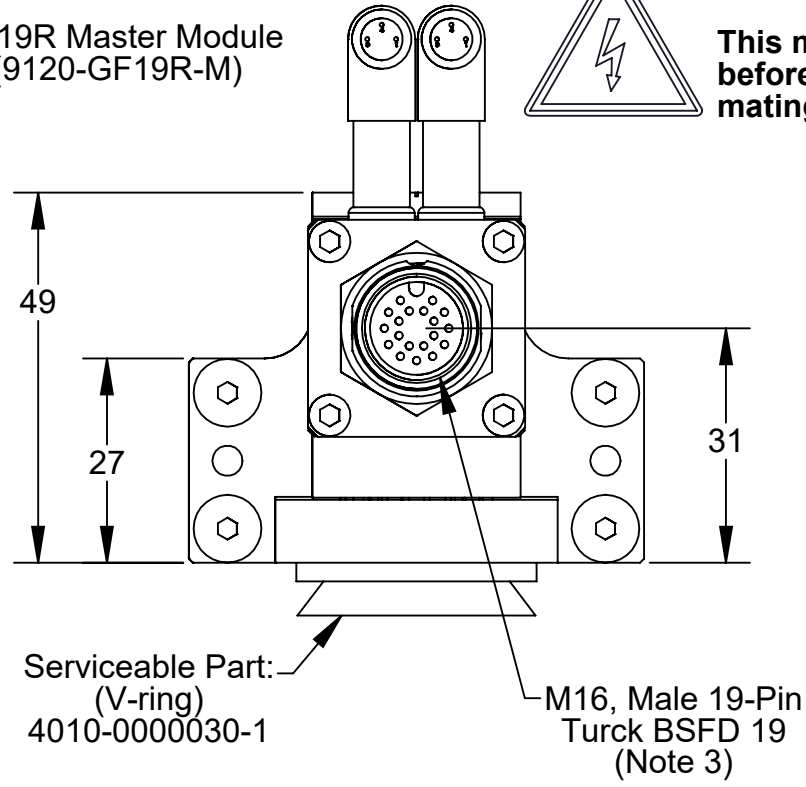
Rev.	Description	Initiator	Date
04	ECO 19665: Updated to reflect changes in GF14 Tool Module. Updated title block.	REH	2/15/2022

" DANGER!" - Electrical Shock Hazard

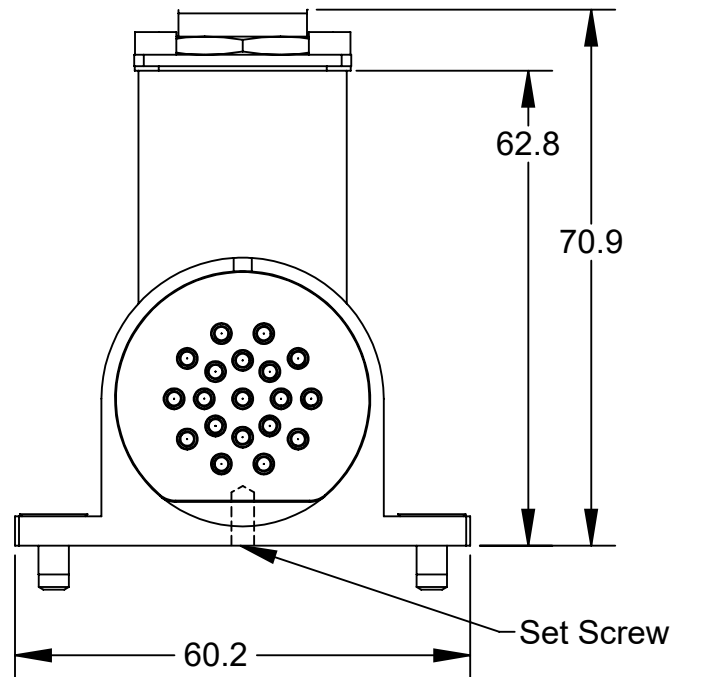
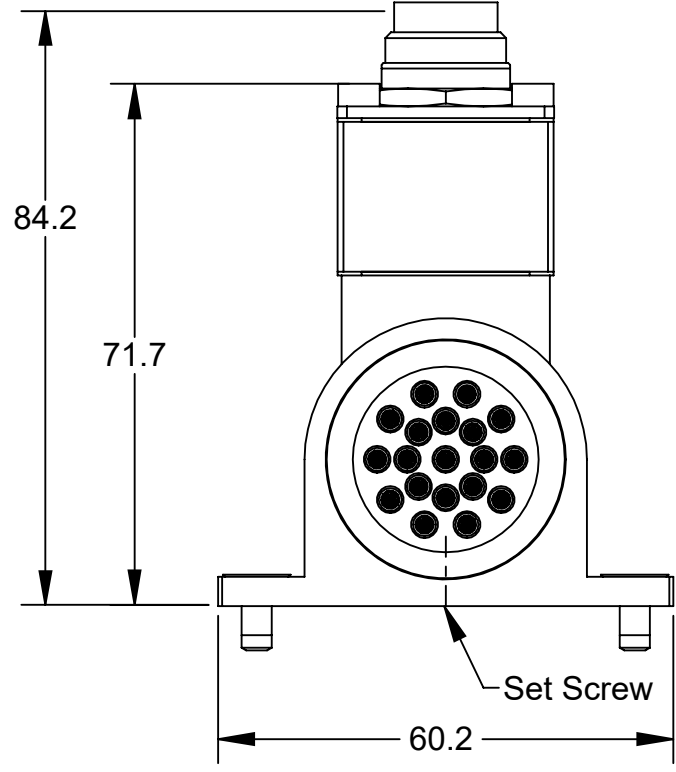
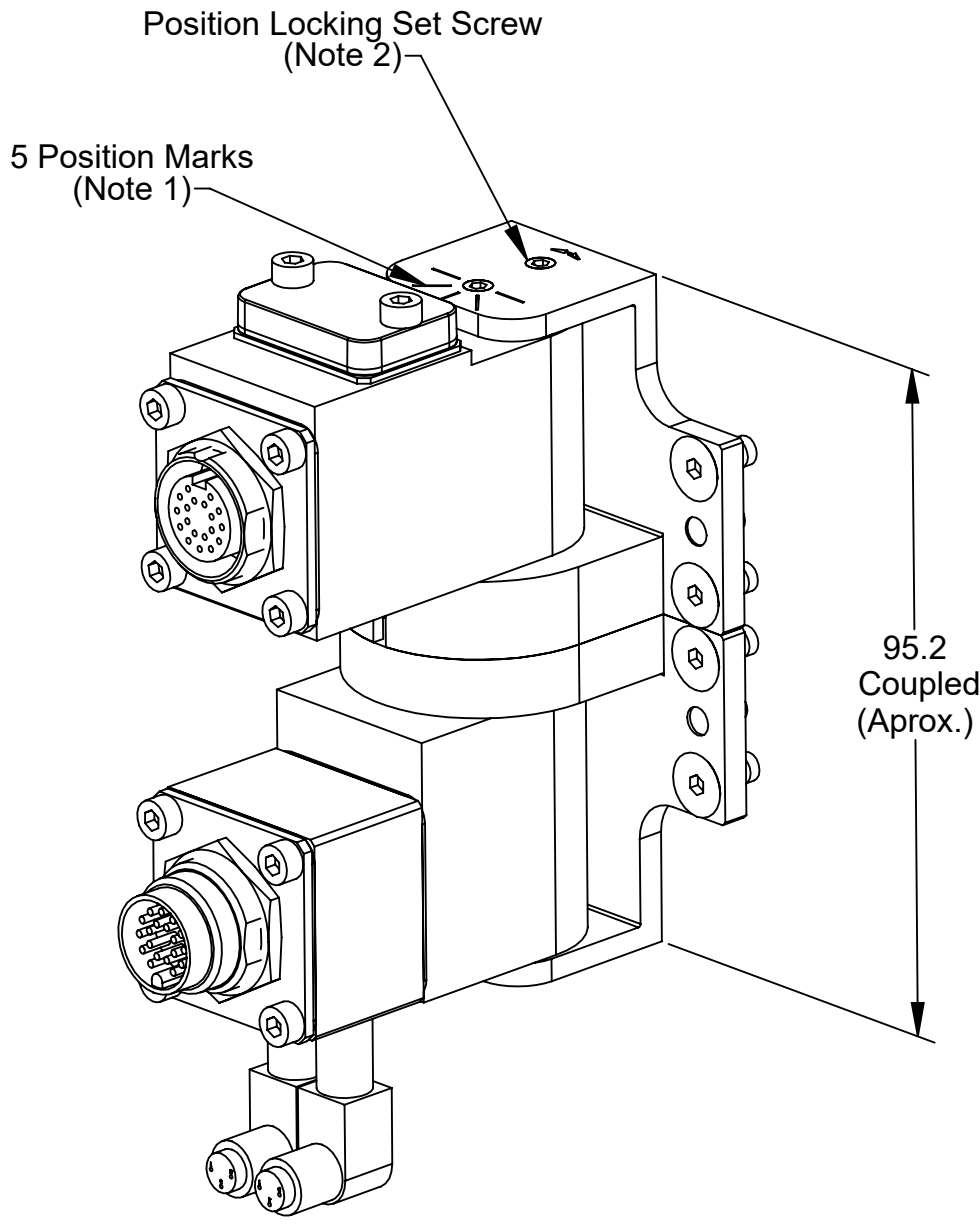
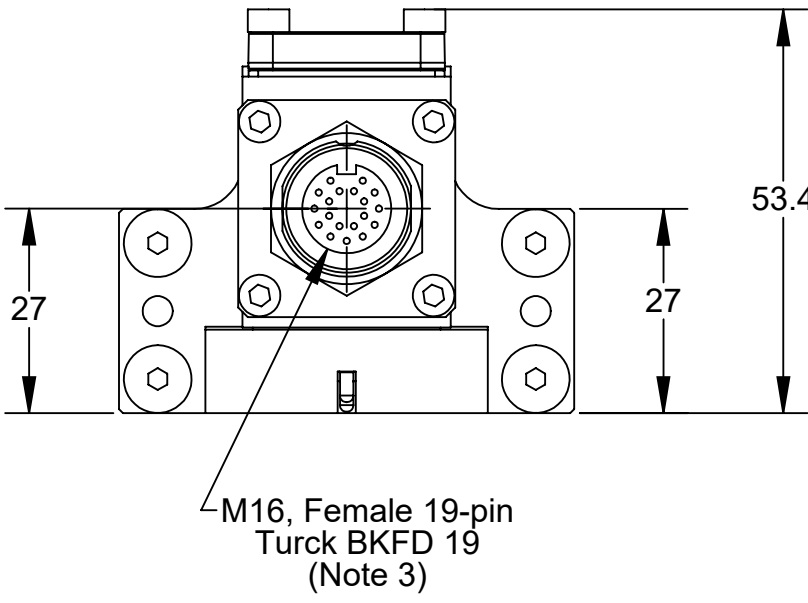
This module has a Voltage of 50V or greater, NO contact should be attempted before removing power. This especially includes separation or insertion of the mating connectors or any contact with the tool changer or its components."



GF19R Master Module
(9120-GF19R-M)



GF14 Tool Module
(9120-GF14-T)



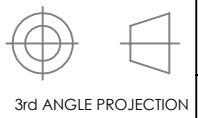
- Notes:
1. The Master and Tool Modules have 5-position options which can be adjusted as required.
 2. The Modules **must be** adjusted and secured into position prior to operation, otherwise internal damage to conductors may occur.
 3. Customer must verify connector selection and orientation.

NOTES: UNLESS OTHERWISE SPECIFIED.
DO NOT SCALE DRAWING. ALL DIMENSIONS ARE IN MILLIMETERS.



1031 Goodworth Drive, Apex, NC 27539, USA
Tel: +1.919.772.0115 Fax: +1.919.772.8259
www.ati-ia.com ISO 9001 Registered Company

PROPERTY OF ATI INDUSTRIAL AUTOMATION, INC. NOT TO BE REPRODUCED IN ANY MANNER EXCEPT ON ORDER OR WITH PRIOR WRITTEN AUTHORIZATION OF ATI.



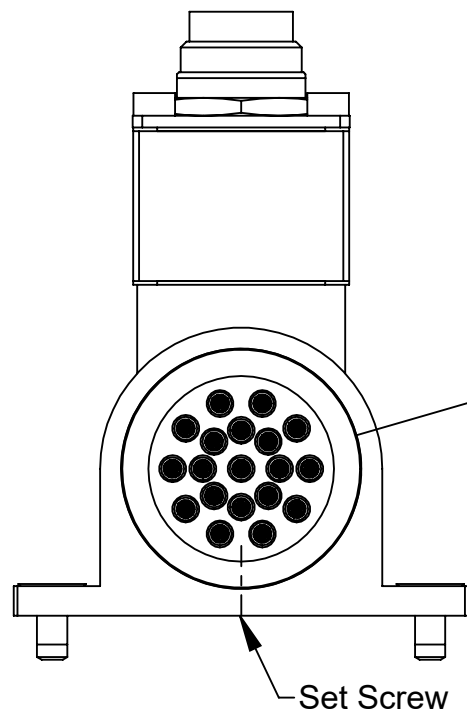
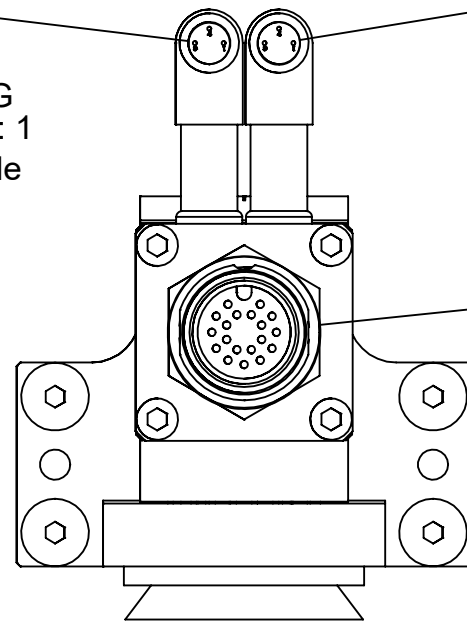
DRAWN BY: P.Luczka, 05/30/11		TITLE	
CHECKED BY: W.Berrocal, 05/29/11 A.Strotzer, 6/01/11		GF14 Electrical Tool Module w/ Tool ID	
PROJECT # 110527-1	SHEET 1 OF 3	SCALE 1:1	SIZE B
		DRAWING NUMBER 9630-20-GF14	REVISION 04

GF19R Master Module
(9120-GF19R-M)

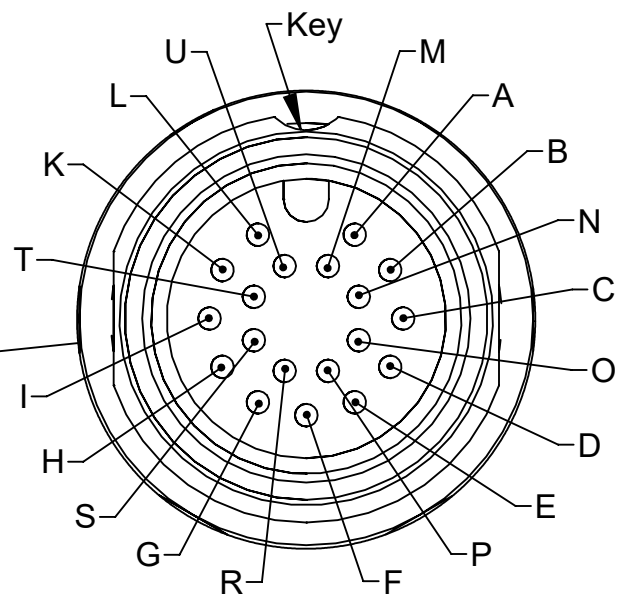


DETAIL G
SCALE 2 : 1
Lock cable

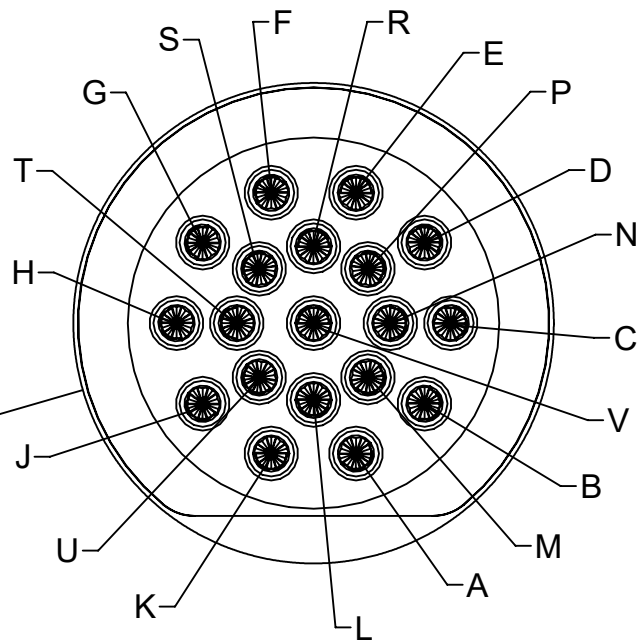
DETAIL H
SCALE 2 : 1
Unlock cable



Set Screw

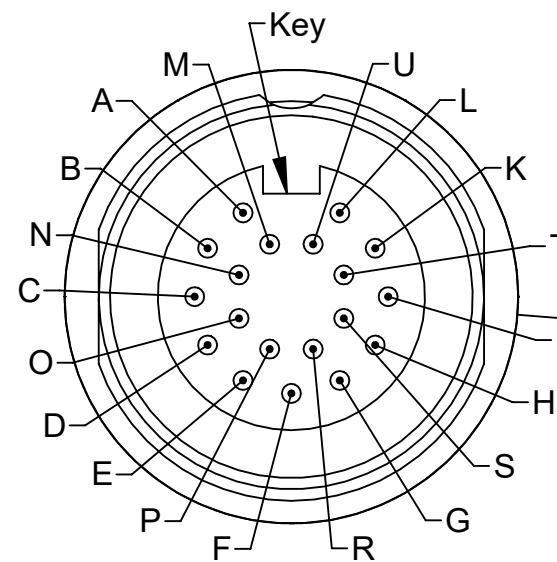


DETAIL F
SCALE 3 : 1
Face View

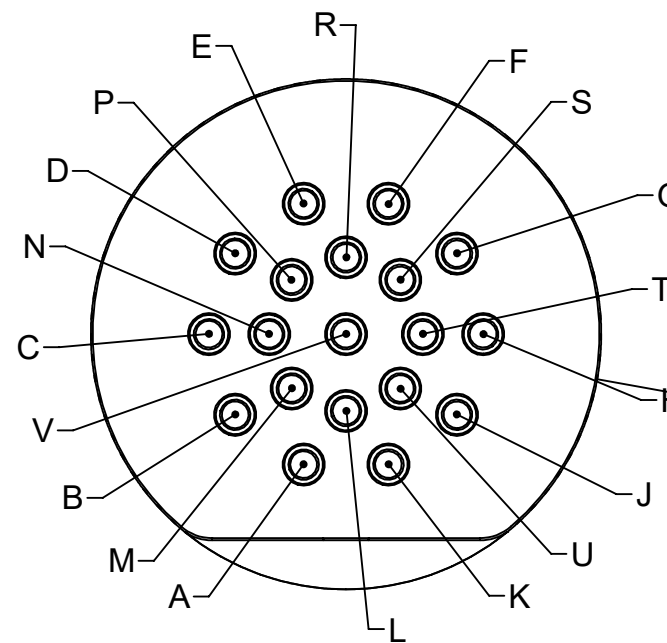


DETAIL E
SCALE 2 : 1
Face View

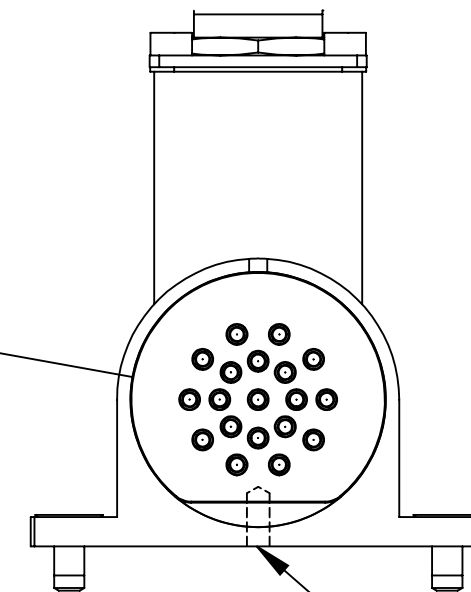
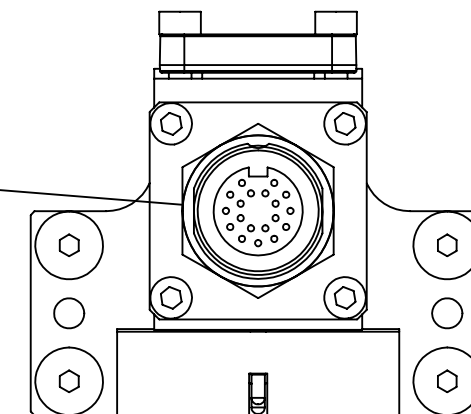
GF14 Tool Module
(9120-GF14-T)



DETAIL B
SCALE 3 : 1
Face View



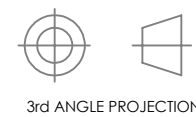
DETAIL D
SCALE 2 : 1
Face View



Set Screw

NOTES: UNLESS OTHERWISE SPECIFIED.

DO NOT SCALE DRAWING. ALL DIMENSIONS ARE IN MILLIMETERS.



3rd ANGLE PROJECTION

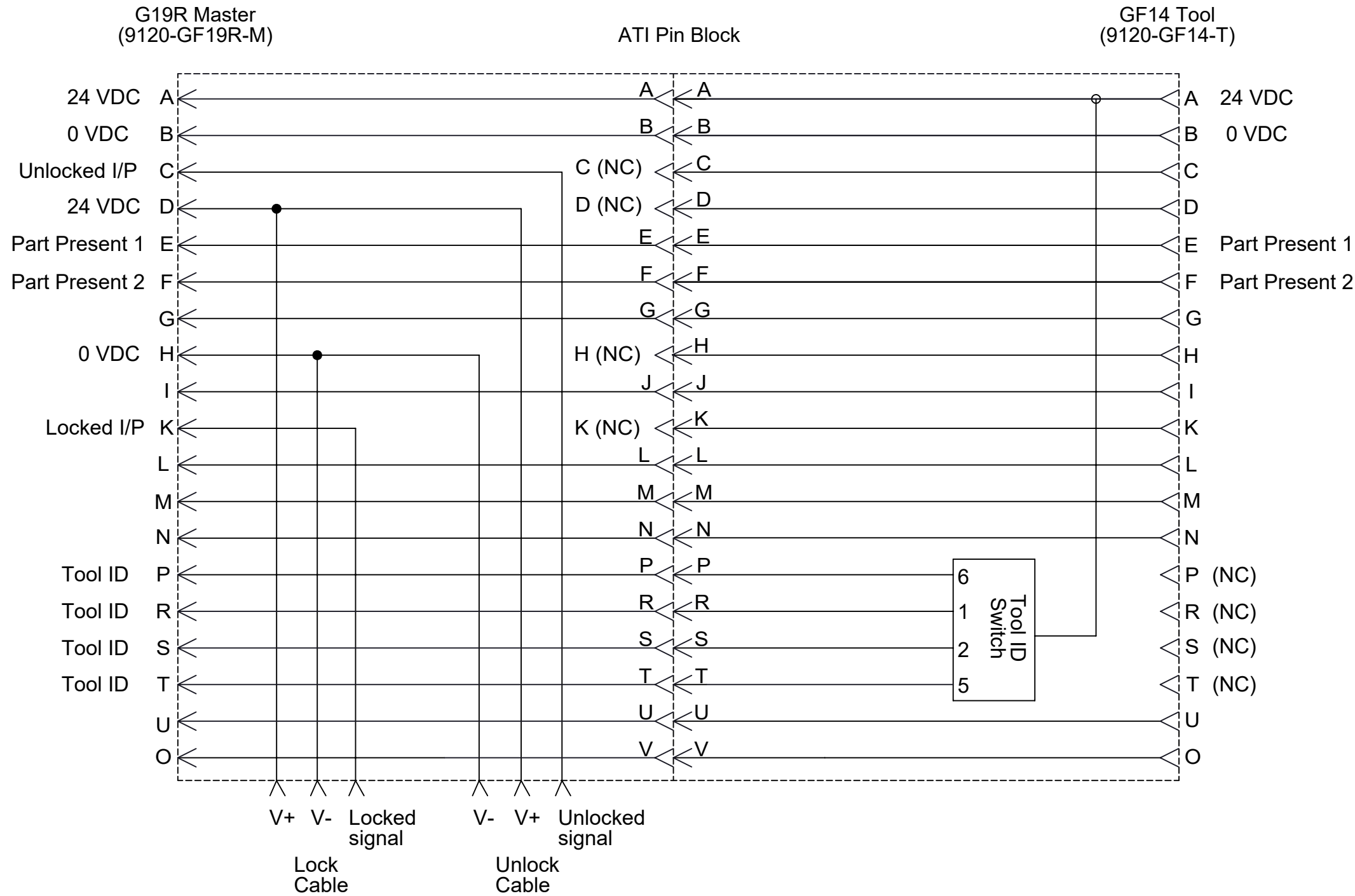


1031 Goodworth Drive, Apex, NC 27539, USA
Tel: +1.919.772.0115 Fax: +1.919.772.8259
www.ati-ia.com ISO 9001 Registered Company

PROPERTY OF ATI INDUSTRIAL AUTOMATION, INC. NOT TO BE REPRODUCED IN ANY MANNER EXCEPT ON ORDER OR WITH PRIOR WRITTEN AUTHORIZATION OF ATI.

DRAWN BY: P.Luczka, 05/30/11		TITLE	
CHECKED BY: W.Berrocal, 05/29/11 A.Strotzer, 6/01/11		GF14 Electrical Tool Module w/ Tool ID	
PROJECT # 110527-1	SHEET 2 OF 3	SCALE 1:1	SIZE B
		DRAWING NUMBER 9630-20-GF14	REVISION 04

ELECTRICAL SCHEMATIC



Binary Output of Tool ID

Switch Selection	Pin	Pin	Pin	Pin	Switch
	P	S	R	T	
0	0	0	0	0	
1	0	0	0	1	
2	0	0	1	0	
3	0	0	1	1	
4	0	1	0	0	
5	0	1	0	1	
6	0	1	1	0	
7	0	1	1	1	
8	1	0	0	0	
9	1	0	0	1	
A	1	0	1	0	
B	1	0	1	1	
C	1	1	0	0	
D	1	1	0	1	
E	1	1	1	0	
F	1	1	1	1	

Notes:

- Pin "V" on the ATI pin Block is the First-to-Mate and Last-to-Break.
- Pin "V" at tool changer interface is taller and is recommended for use as ground.
- The Tool ID switch can accommodate 16 separate ID's.

NOTES: UNLESS OTHERWISE SPECIFIED.

DO NOT SCALE DRAWING. ALL DIMENSIONS ARE IN MILLIMETERS.



3rd ANGLE PROJECTION



1031 Goodworth Drive, Apex, NC 27539, USA
 Tel: +1.919.772.0115 Fax: +1.919.772.8259
 www.ati-ia.com ISO 9001 Registered Company

PROPERTY OF ATI INDUSTRIAL AUTOMATION, INC. NOT TO BE REPRODUCED IN ANY MANNER EXCEPT ON ORDER OR WITH PRIOR WRITTEN AUTHORIZATION OF ATI.

DRAWN BY: P.Luczka, 05/30/11		TITLE	
CHECKED BY: W.Berrocal, 05/29/11 A.Strotzer, 6/01/11		GF14 Electrical Tool Module w/ Tool ID	
PROJECT # 110527-1	SHEET 3 OF 3	SCALE 1:1	SIZE B
DRAWING NUMBER 9630-20-GF14		REVISION 04	