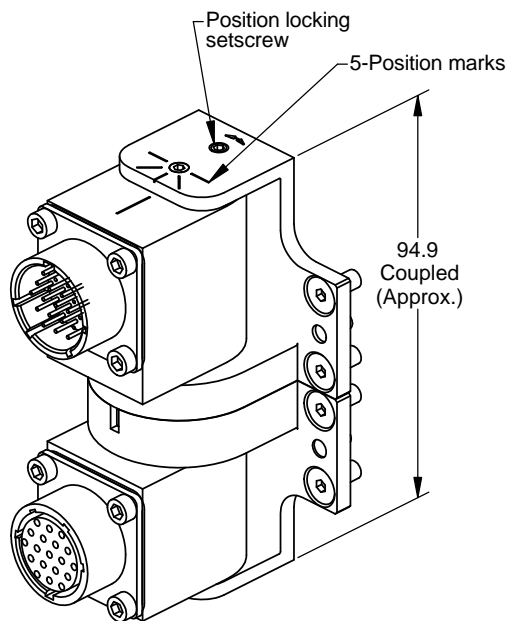
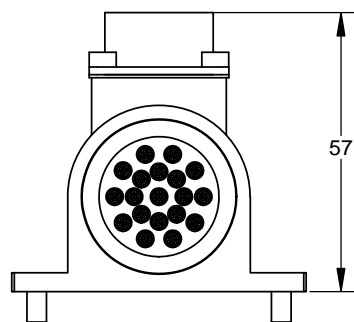
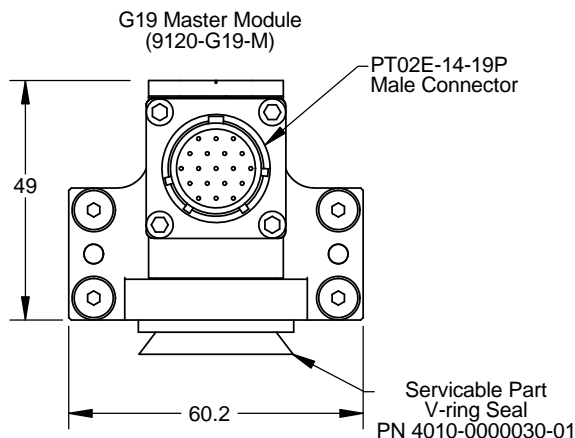
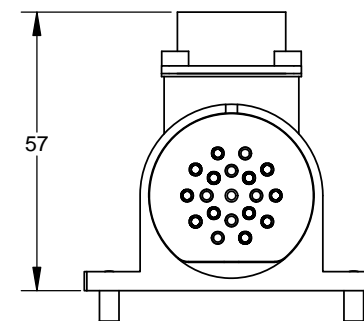
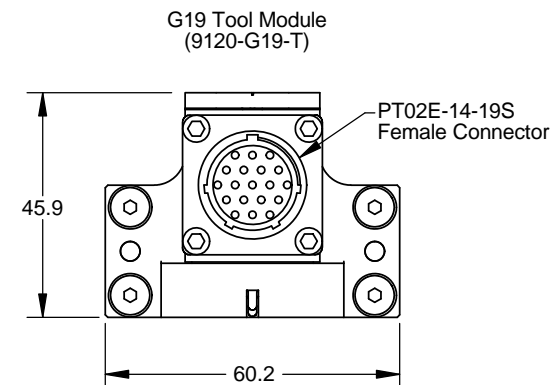


"DANGER! - For electrical modules using > 60VDC or 42 VAC, NO contact should be attempted before removing power. This especially includes separation or insertion of the mating connectors or any contact with the tool changer or its components."

Rev.	Description	Initiator	Date
04	Eco 5311: Added High Voltage Label	LJH	4/24/2007
05	ECO 5942: Added "Danger! remove power" note.	CDM	11/20/2007



Isometric View Center Position

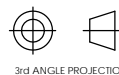


NOTES: UNLESS OTHERWISE SPECIFIED
 DO NOT SCALE DRAWING. DRAWN IN SOLIDWORKS.
 ALL DIMENSIONS ARE IN MILLIMETERS.



1031 Goodworth Drive, Apex, NC 27539, USA
 Tel: +1.919.772.0115 Email: info@ati-ia.com
 Fax: +1.919.772.8259 www.ati-ia.com
 ISO 9001 Registered Company

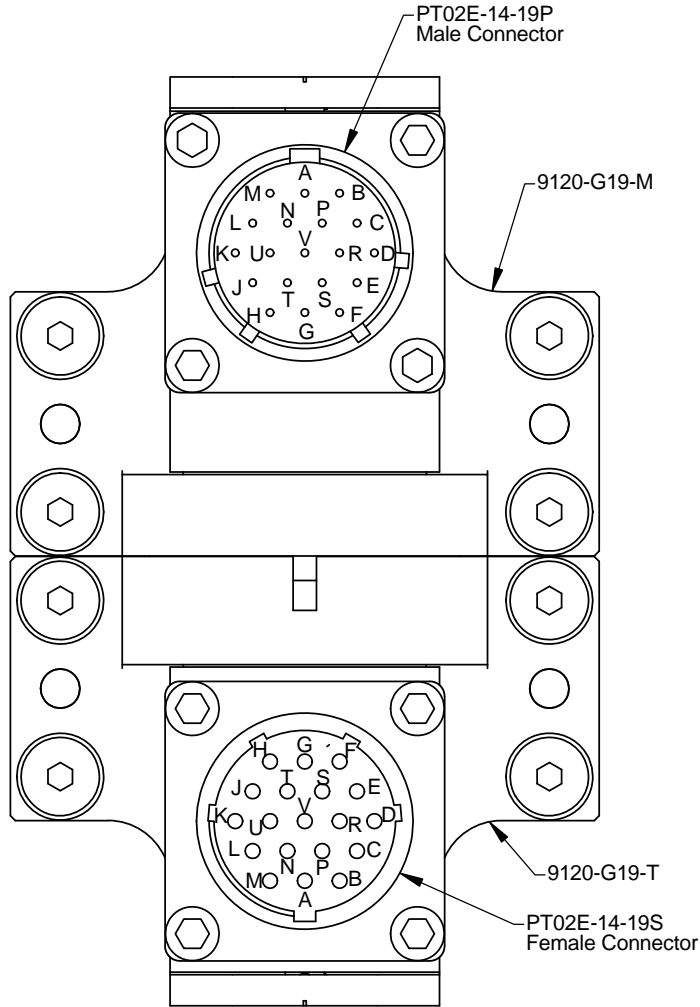
- Notes:
1. The master module and the tool module have 5-position options which can be adjusted as required.
 2. Warning: The modules must be adjusted and secured into position prior to operation, otherwise internal damage to conductors may occur.



DRAWN BY: J.Snape 11/24/03	TITLE: G19-M with G19-T		
CHECKED BY: PS 3/3/04	SCALE: 1:1	SIZE: B	DRAWING NUMBER: 9630-20-G19M G19T-05
WEIGHT LBS: .55	PRODUCT RELEASE # 030604-3 DATE:		
ASSEMBLY REF:	SHEET 1 OF 2		

PROPERTY OF ATI INDUSTRIAL AUTOMATION, INC.
 NOT TO BE REPRODUCED IN ANY MANNER EXCEPT ON
 ORDER OR WITH PRIOR WRITTEN AUTHORIZATION OF ATI.

Rev.	Description	Initiator	Date
-	See Sheet1	-	-

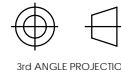


G19 Pin Out			
G19-T PT02E-14-19S Female Connector		G19-M PT02E-14-19P Male Connector	
A	<-----<	A	>----->
B	<-----<	B	>----->
C	<-----<	C	>----->
D	<-----<	D	>----->
E	<-----<	E	>----->
F	<-----<	F	>----->
G	<-----<	G	>----->
H	<-----<	H	>----->
J	<-----<	J	>----->
K	<-----<	K	>----->
L	<-----<	L	>----->
M	<-----<	M	>----->
N	<-----<	N	>----->
P	<-----<	P	>----->
R	<-----<	R	>----->
S	<-----<	S	>----->
T	<-----<	T	>----->
U	<-----<	U	>----->
V	<-----<	V	>----->

(V recommended for ground)

Note:
 1. Pin "V" is first mate, last break. This pin is recommended for use as ground.

NOTES: UNLESS OTHERWISE SPECIFIED
 DO NOT SCALE DRAWING. DRAWN IN SOLIDWORKS.
 ALL DIMENSIONS ARE IN MILLIMETERS.



1031 Goodworth Drive, Apex, NC 27539, USA
 Tel: +1.919.772.0115 Email: info@ati-ia.com
 Fax: +1.919.772.8259 www.ati-ia.com
 ISO 9001 Registered Company

DRAWN BY: J.Snape 11/24/03	TITLE: G19-M with G19-T		
CHECKED BY: PS 3/3/04	SCALE: 2:1	SIZE: B	DRAWING NUMBER: 9630-20-G19M G19T-05
WEIGHT LBS: .55	PRODUCT RELEASE # 030604-3 DATE: SHEET 2 OF 2		
ASSEMBLY REF:			