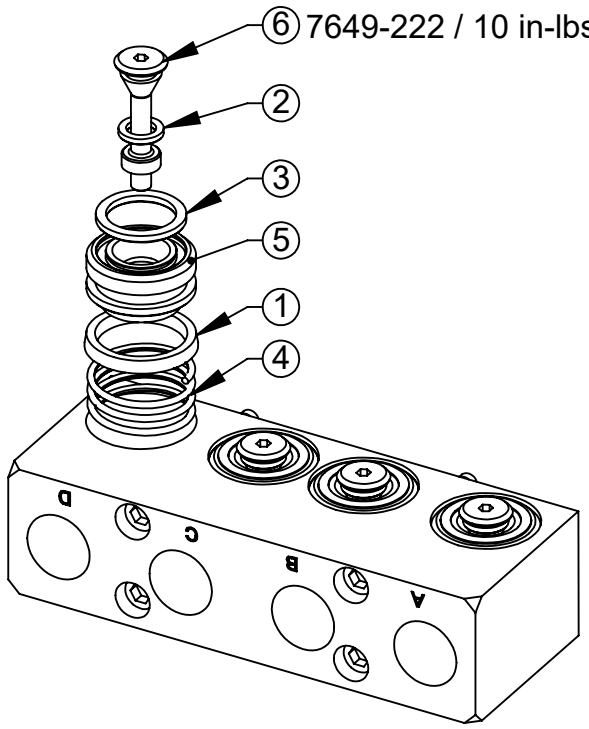
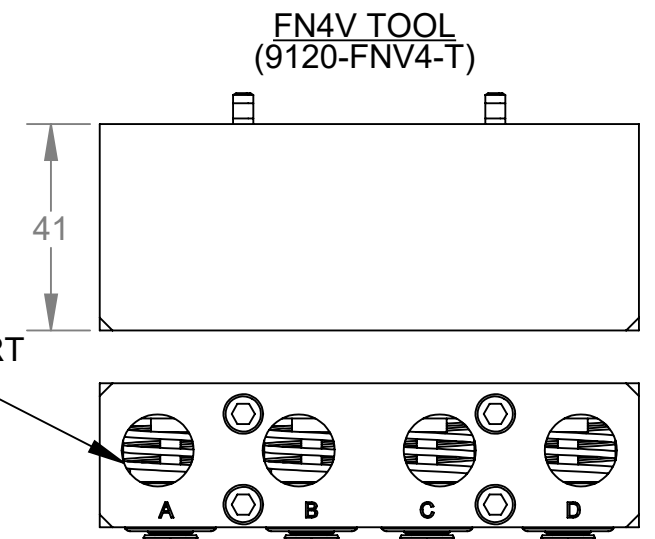
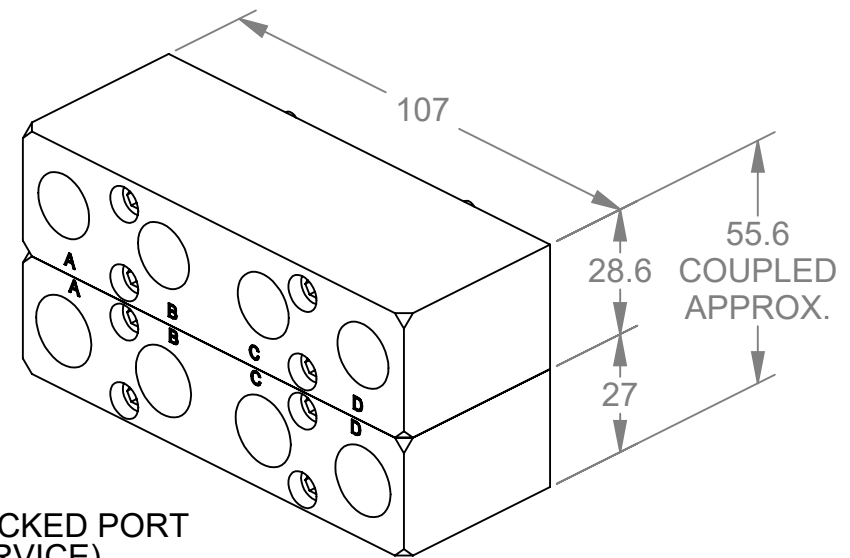
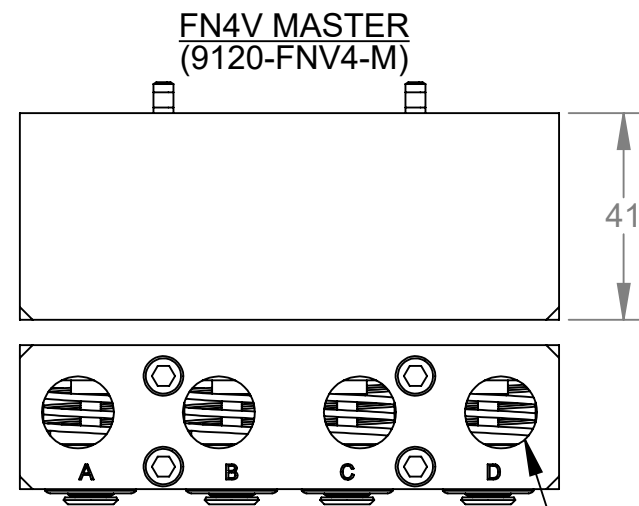


REV.	DESCRIPTION	INITIATOR	DATE
02	ECO 17899; RELEASE DRAWING	LJH	5/6/2019

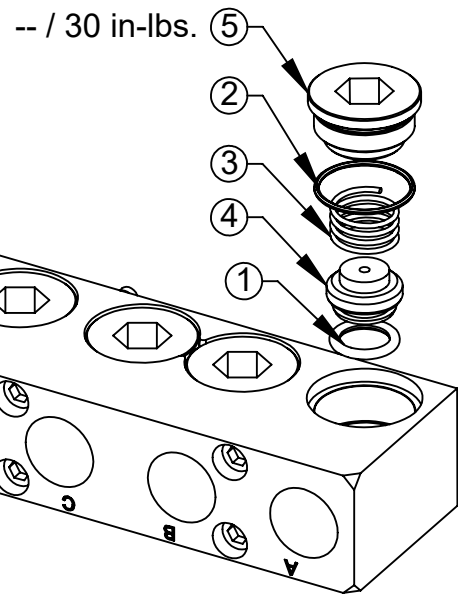


4X 3/8 NPT CHECKED PORT (FLUID / AIR SERVICE)

NOTES:  
 1. MATERIAL OF CONSTRUCTION:  
 HOUSING - STAINLESS STEEL  
 VALVE COMPONENTS - VITON, PVC & STAINLESS STEEL.

OPERATION:  
 2. FOR BEST RESULTS, ENSURE FLUIDS ARE NEAR NEUTRAL pH, MINIMIZE FLUID PARTICULATE SIZE AND KEEP FLUID MODULE MATING SURFACES FREE AND CLEAR OF ANY DEBRIS.  
 3. CHECKED PORTS CAN PRODUCE SIGNIFICANT FORCES WHEN UNDER HIGH SUPPLY PRESSURES. THESE FORCES HAVE TO BE OVERCOME TO ACHIEVE TOOL CHANGER COUPLING.  
 4. CHECKED PORTS DO NOT SUPPORT VACUUM CONDITIONS.

4X 3/8 NPT CHECKED PORT (FLUID / AIR SERVICE)



FN4V-M SERVICEABLE PARTS

ITEM NO.	QTY.	PART NUMBER	DESCRIPTION
1	4	3410-0001124-01	U-CUP SEAL, 18x22, VITON
2	4	3410-0001229-01	O-RING 6MM X 2MM, VITON
3	4	3410-0001230-01	O-RING 14MM X 2MM, VITON
4	4	3610-1907501-21	SS SPRING 7/8 OD
5	4	3700-20-2994	MASTER CHECK VALVE PISTON
6	4	3700-20-3488	VALVE STEM

FN4V-T SERVICEABLE PARTS

ITEM NO.	QTY	PART NUMBER	DESCRIPTION
1	4	3410-0001218-01	O-ring, 10mm x 2mm, Viton, Dur. 75
2	4	3410-0001231-01	O-ring, Viton, ID 18mm x 1mm wall
3	4	3610-6401501-21	SS Spring 14mm O.D.
4	4	3700-20-2303	Two Part F/A Block Tool Check Valve Piston
5	4	3700-20-3288	Plug, F/A Tool

9120-F-T-KIT-V SPRING AND O-RING REPLACEMENT KIT

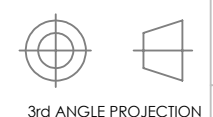
ITEM NO.	QTY	PART NUMBER	DESCRIPTION
1	1	3410-0001218-01	O-ring, 10mm x 2mm, Viton, Dur. 75
2	1	3410-0001231-01	O-ring, Viton, ID 18mm x 1mm wall
3	1	3610-6401501-21	SS Spring 14mm O.D.

9120-F-M-KIT-V SPRING AND O-RING REPLACEMENT KIT

ITEM NO.	QTY.	PART NUMBER	DESCRIPTION
2	1	3410-0001229-01	O-Ring 6MM X 2MM, Viton
3	1	3410-0001230-01	O-Ring 14MM X 2MM, Viton
4	1	3610-1907501-21	SS SPRING 7/8 OD

NOTES: UNLESS OTHERWISE SPECIFIED.

DO NOT SCALE DRAWING. ALL DIMENSIONS ARE IN MILLIMETERS.



1031 Goodworth Drive, Apex, NC 27539, USA  
 Tel: +1.919.772.0115 Email: info@ati-ia.com  
 Fax: +1.919.772.8259 www.ati-ia.com  
 ISO 9001 Registered Company

PROPERTY OF ATI INDUSTRIAL AUTOMATION, INC. NOT TO BE REPRODUCED IN ANY MANNER EXCEPT ON ORDER OR WITH PRIOR WRITTEN AUTHORIZATION OF ATI.

DRAWN BY: L.Hines 5/8/19		TITLE	
CHECKED BY: D.Wagner 5/10/19		FN4V Fluid/Air Module Drawing, Viton	
SCALE	SIZE	DRAWING NUMBER	REVISION
1:1	B	9630-20-FN4V	02
PROJECT # -		SHEET 1 OF 1	