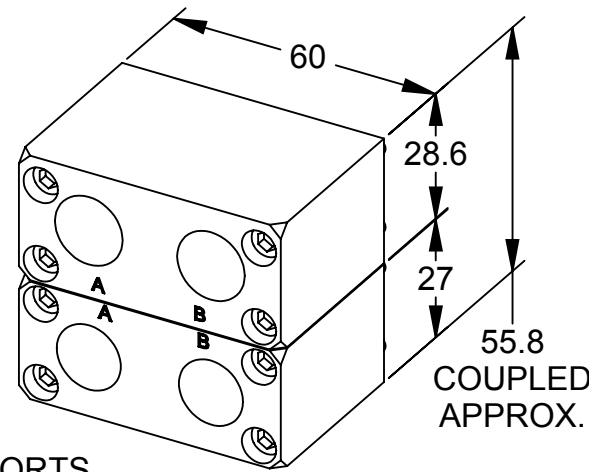
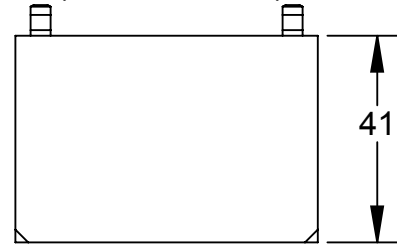
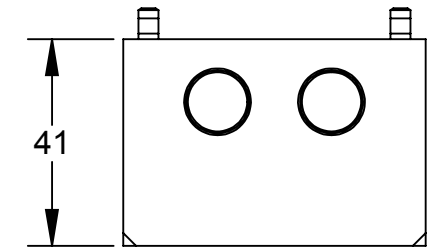


REV.	DESCRIPTION	INITIATOR	DATE
02	ECO 17899; RELEASE DRAWING	LJH	5/6/2019

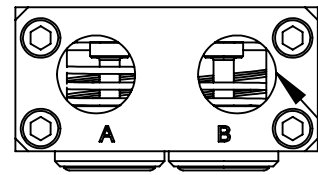
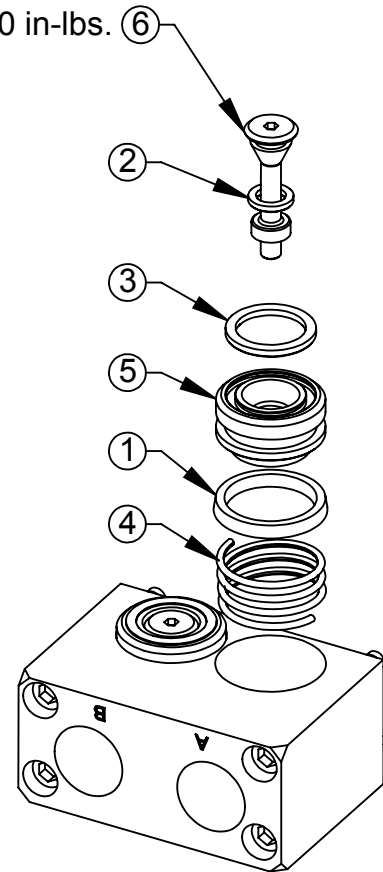
FN2V MASTER  
(9120-FN2V-M)



FN2V TOOL  
(9120-FN2V-T)



7649-222 / 10 in-lbs. ⑥



2X 3/8 NPT CHECKED PORTS  
(FLUID / AIR SERVICE)

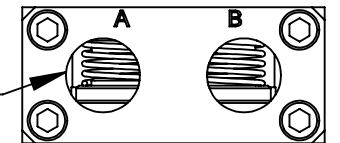
NOTES:

1. MATERIAL OF CONSTRUCTION:  
HOUSING - STAINLESS STEEL  
VALVE COMPONENTS - VITON, PVC & STAINLESS STEEL.

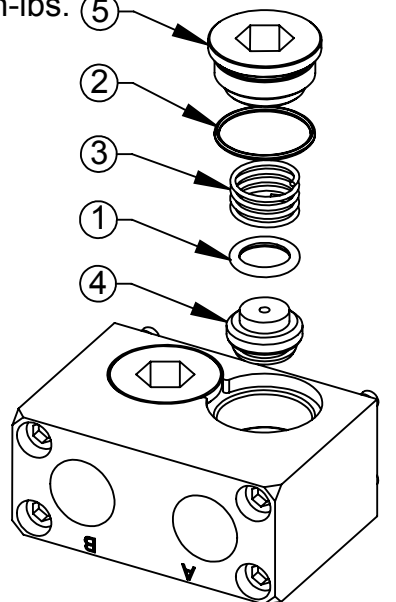
OPERATION:

2. FOR BEST RESULTS, ENSURE FLUIDS ARE NEAR NEUTRAL pH, MINIMIZE FLUID PARTICULATE SIZE AND KEEP FLUID MODULE MATING SURFACES FREE AND CLEAR OF ANY DEBRIS.
3. CHECKED PORTS CAN PRODUCE SIGNIFICANT FORCES WHEN UNDER HIGH SUPPLY PRESSURES. THESE FORCES HAVE TO BE OVERCOME TO ACHIEVE TOOL CHANGER COUPLING.
4. CHECKED PORTS DO NOT SUPPORT VACUUM CONDITIONS.

2X 3/8 NPT CHECKED PORTS  
(FLUID / AIR SERVICE)



-- / 30 in-lbs. ⑤



ITEM NO.	QTY.	PART NUMBER	DESCRIPTION
1	2	3410-0001124-01	U-CUP SEAL, 18x22, VITON
2	2	3410-0001229-01	O-Ring 6MM X 2MM, Viton
3	2	3410-0001230-01	O-Ring 14MM X 2MM, Viton
4	2	3610-1907501-21	SS SPRING 7/8 OD
5	2	3700-20-2994	Master Check Valve Piston
6	2	3700-20-3488	Valve Stem
16	4	3500-1062040-15A	M4-0.7 x 40mm SHCS, Blue, Pre-Applied
17	2	3540-0104008-11	4mm x 8mm Dowel Alloy Steel

9120-F-M-KIT-V MASTER SPRING AND O-RING REPLACEMENT KIT

ITEM NO.	QTY	PART NUMBER	DESCRIPTION
1	1	3410-0001124-01	U-CUP SEAL, 18x22, VITON
2	1	3410-0001229-01	O-Ring 6MM X 2MM, Viton
3	1	3410-0001230-01	O-Ring 14MM X 2MM, Viton
4	1	3610-1907501-21	SS SPRING 7/8 OD

FN2V-T SERVICEABLE PARTS

ITEM NO.	QTY	PART NUMBER	DESCRIPTION
1	2	3410-0001218-01	O-ring, 10mm x 2mm, Viton, Dur. 75
2	2	3410-0001231-01	O-ring, Viton, ID 18mm x 1mm wall
3	2	3610-6401501-21	SS Spring 14mm O.D.
4	2	3700-20-2303	Two Part F/A Block Tool Check Valve Piston
5	2	3700-20-3288	Plug, F/A Tool

9120-F-T-KIT-V TOOL SPRING AND O-RING REPLACEMENT KIT

ITEM NO.	QTY	PART NUMBER	DESCRIPTION
1	1	3410-0001218-01	O-ring, 10mm x 2mm, Viton, Dur. 75
2	1	3410-0001231-01	O-ring, Viton, ID 18mm x 1mm wall
3	1	3610-6401501-21	SS Spring 14mm O.D.

NOTES: UNLESS OTHERWISE SPECIFIED.

DO NOT SCALE DRAWING. ALL DIMENSIONS ARE IN MILLIMETERS.



3rd ANGLE PROJECTION



1031 Goodworth Drive, Apex, NC 27539, USA  
Tel: +1.919.772.0115 Email: info@ati-ia.com  
Fax: +1.919.772.8259 www.ati-ia.com  
ISO 9001 Registered Company

PROPERTY OF ATI INDUSTRIAL AUTOMATION, INC. NOT TO BE REPRODUCED IN ANY MANNER EXCEPT ON ORDER OR WITH PRIOR WRITTEN AUTHORIZATION OF ATI.

DRAWN BY: L.Hines 5/10/19		TITLE	
CHECKED BY: D.Wagner 5/10/19		FN2V Fluid / Air Moduel Drawing, Viton	
SCALE	SIZE	DRAWING NUMBER	REVISION
1:1	B	9630-20-FN2V	02
PROJECT # 181106-2		SHEET 1 OF 1	