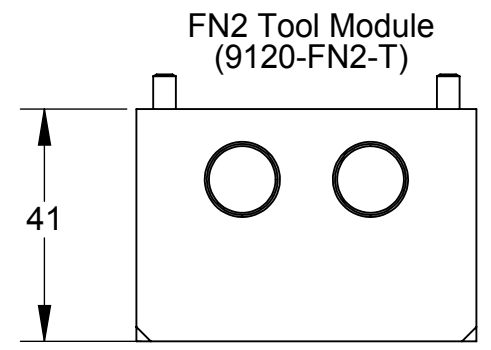
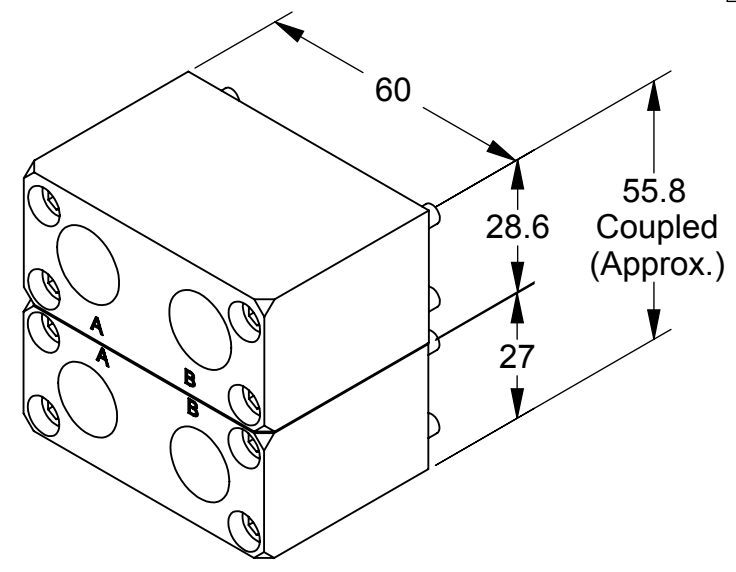
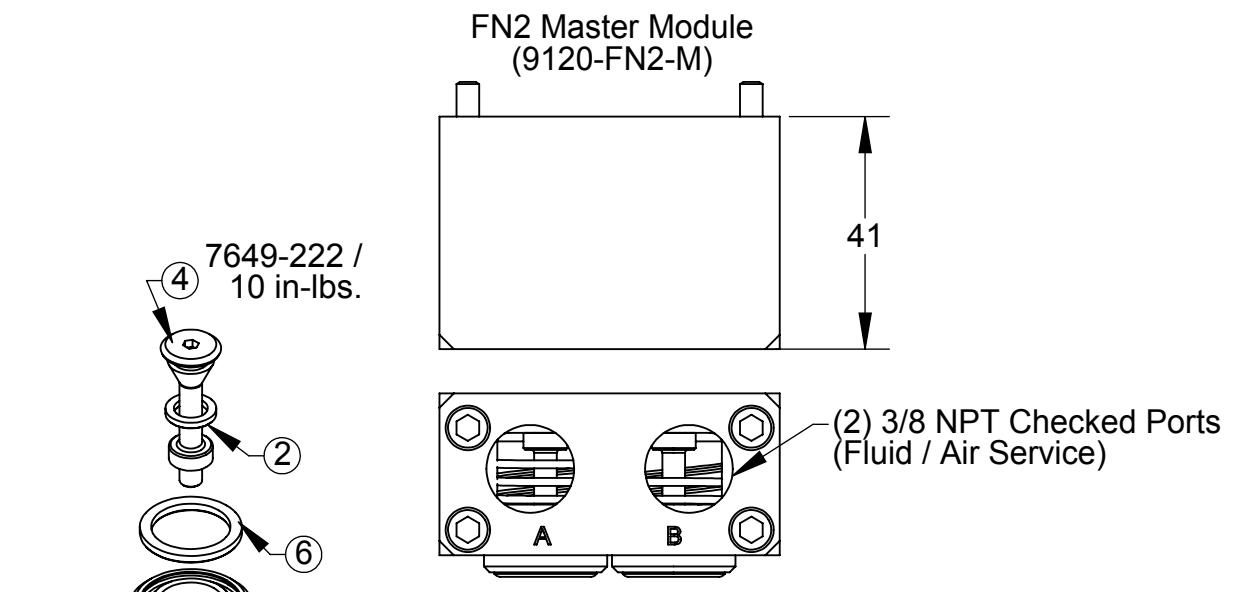
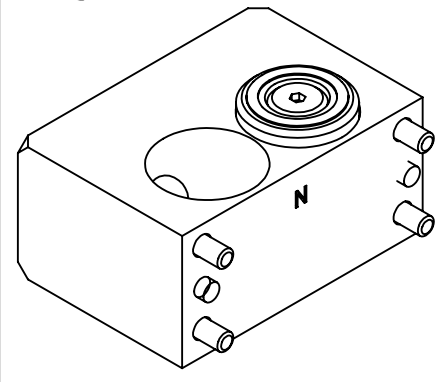
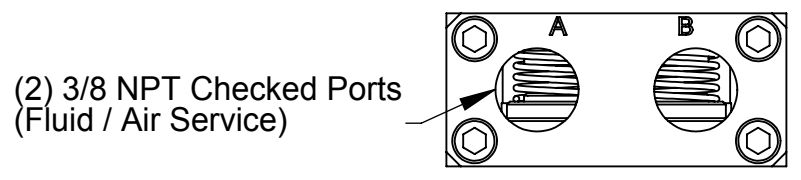


| Rev. | Description   | Initiator | Date      |
|------|---|-----------|-----------|
| 06   | Eco 12704; Correct balloon #4 callout on Master side & add Torque values to valve stem & plug | LJH/TBC   | 11/7/2014 |



Notes:  
 Material of Construction:  
 1. Housing - Stainless Steel  
 2. Valve Components - Rubber, PVC & Stainless Steel

Operation:  
 1. For best results ensure fluids are near neutral pH, minimize fluid particulate size and keep fluid module mating surfaces free and clear of any debris.  
 2. Checked ports can produce significant forces when under high supply pressures. These forces have to be overcome to achieve tool changer coupling.  
 3. Checked ports do not support vacuum conditions.



**FN2-M Serviceable Parts**

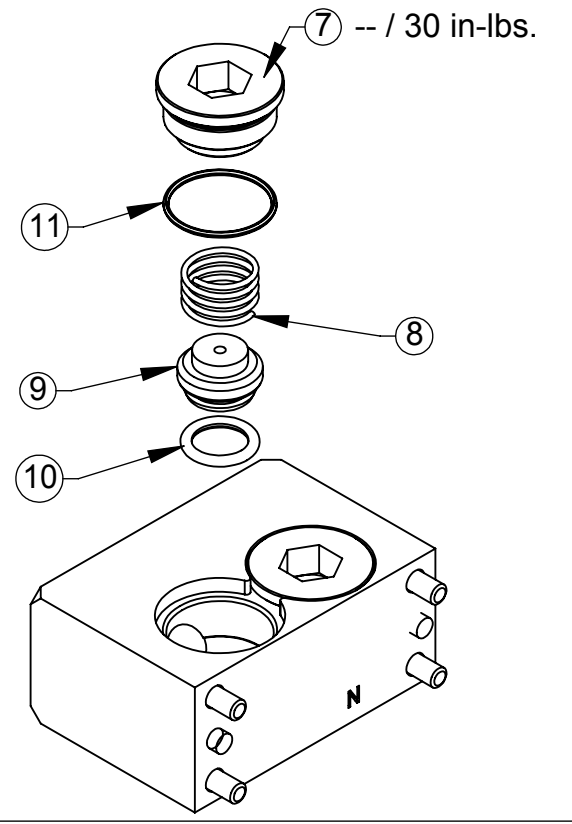
| ITEM NO. | QTY. | PART NUMBER     | DESCRIPTION                         |
|----------|------|-----------------|-------------------------------------|
| 1        | 2    | 3410-0001068-01 | Mini U-Cup Seal 18mm ID x 22mm Buna |
| 2        | 2    | 3410-0001183-01 | O-Ring 6MM X 2MM Buna D90           |
| 3        | 2    | 3700-20-2994    | Master Check Valve Piston, FA44     |
| 4        | 2    | 3700-20-3488    | Valve Stem                          |
| 5        | 2    | 3610-1907501-21 | SS Spring 7/8 OD                    |
| 6        | 2    | 3410-0001065-01 | O-Ring 14MM X 2MM Buna              |

**FN2-T Serviceable Parts**

| ITEM NO. | QTY. | PART NUMBER     | DESCRIPTION                             |
|----------|------|-----------------|---|
| 7        | 2    | 3700-20-3288    | Plug, F/A Tool                          |
| 8        | 2    | 3610-6401501-21 | SS Spring 14mm O.D.                     |
| 9        | 2    | 3700-20-2303    | Check Valve                             |
| 10       | 2    | 3410-0001067-01 | O-ring, 10mm x 2mm, Buna N, Dur. 90     |
| 11       | 2    | 3410-0001284-01 | O-ring, .669OD x .047 wall, 70D, Buna-N |

**9120-F-T-Kit Spring and O-Ring Replacement Kit**

| ITEM NO. | QTY. | PART NUMBER     | DESCRIPTION                             |
|----------|------|-----------------|---|
| 10       | 1    | 3410-0001067-01 | O-ring, 10mm x 2mm, Buna N, Dur. 90     |
| 11       | 1    | 3410-0001284-01 | O-ring, .669OD x .047 wall, 70D, Buna-N |
| 8        | 1    | 3610-6401501-21 | SS Spring 14mm O.D.                     |

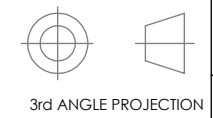


**9120-F-M-Kit Spring and O-Ring Replacement Kit**

| ITEM NO. | QTY. | PART NUMBER     | DESCRIPTION               |
|----------|------|-----------------|---------------------------|
| 5        | 1    | 3610-1907501-21 | SS SPRING 7/8 OD          |
| 2        | 1    | 3410-0001183-01 | O-Ring 6MM X 2MM Buna D90 |
| 6        | 1    | 3410-0001065-01 | O-Ring 14MM X 2MM Buna    |

NOTES: UNLESS OTHERWISE SPECIFIED.

DO NOT SCALE DRAWING. ALL DIMENSIONS ARE IN MILLIMETERS.



1031 Goodworth Drive, Apex, NC 27539, USA  
 Tel: +1.919.772.0115 Email: info@ati-ia.com  
 Fax: +1.919.772.8259 www.ati-ia.com  
 ISO 9001 Registered Company

PROPERTY OF ATI INDUSTRIAL AUTOMATION, INC. NOT TO BE REPRODUCED IN ANY MANNER EXCEPT ON ORDER OR WITH PRIOR WRITTEN AUTHORIZATION OF ATI.

|                                |      |                              |          |
|--------------------------------|------|------------------------------|----------|
| DRAWN BY: Dan Norton, 10/20/03 |      | TITLE                        |          |
| CHECKED BY: B.Digeso 10/12/04  |      | FN2 Fluid/Air Module Drawing |          |
| SCALE                          | SIZE | DRAWING NUMBER               | REVISION |
| 3:4                            | B    | 9630-20-FN2                  | 06       |

PROJECT # 030729-2 SHEET 1 OF 1