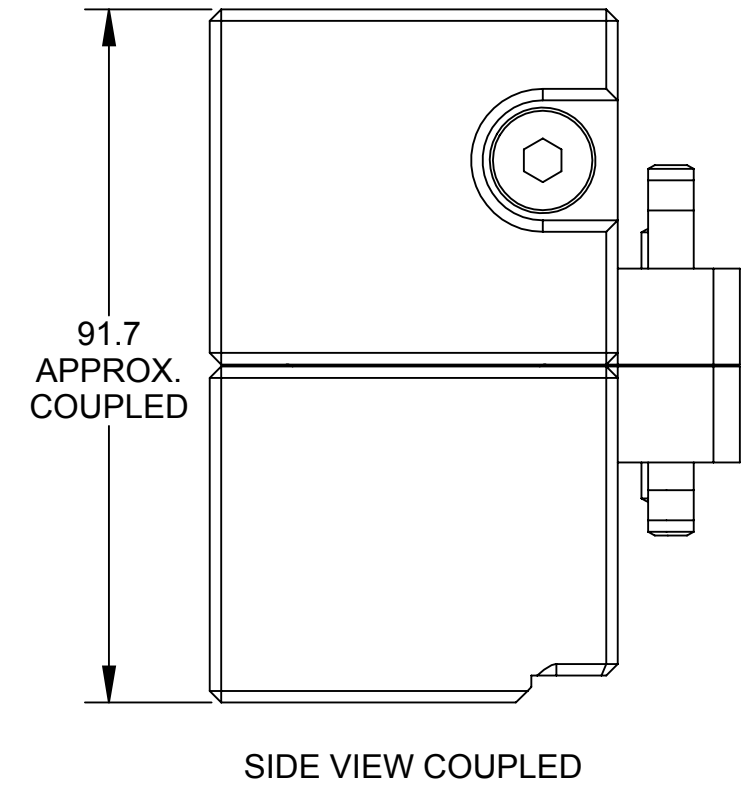
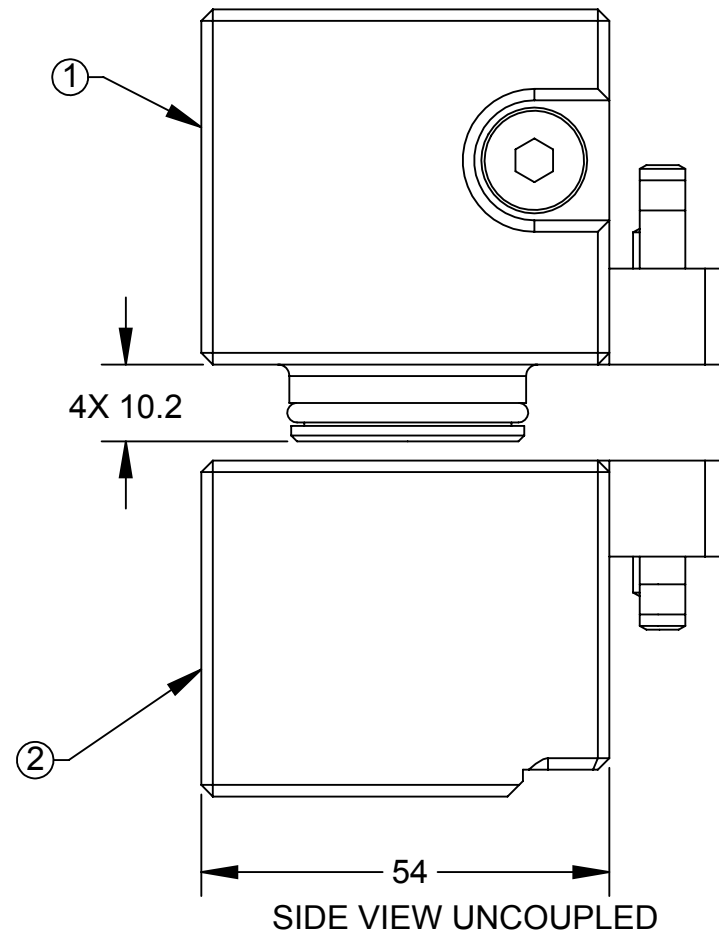
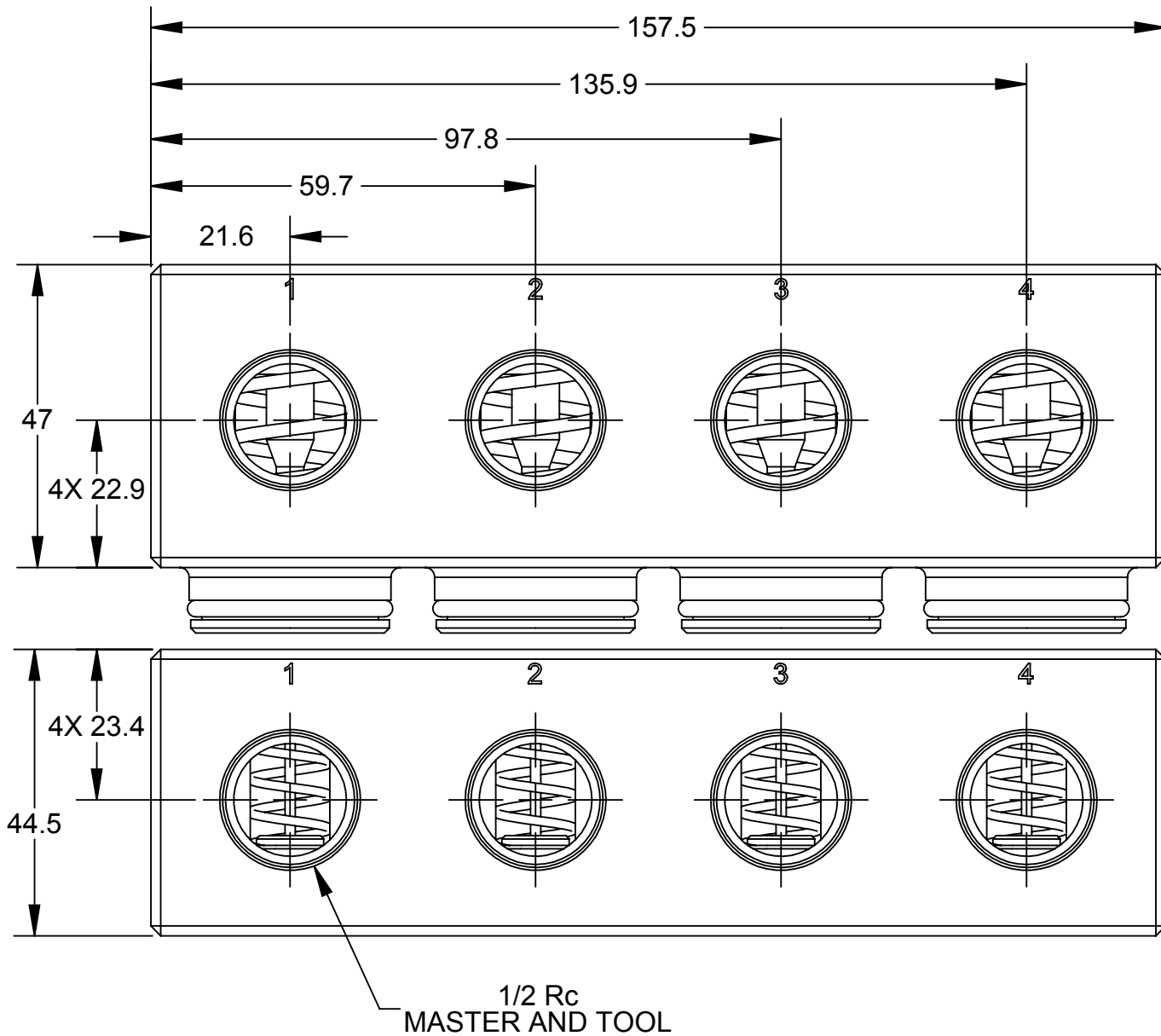


REV.	DESCRIPTION	INITIATOR	DATE
01	INITIAL DRAWING	JTP	2/7/2019



- NOTES:
- MATERIALS OF CONSTRUCTION:
- HOUSINGS: STAINLESS STEEL
 - VALVE COMPONENTS: STAINLESS STEEL, PVC, NITRILE
 - G1/8 PLUG: NICKEL PLATED BRASS
- OPERATIONS:
- FOR BEST RESULTS ENSURE FLUIDS ARE NEAR NEUTRAL pH, MINIMIZE FLUID PARTICULATE SIZE AND KEEP FLUID MODULE MATING SURFACES FREE AND CLEAR OF ANY DEBRIS.
 - CHECKED PORTS CAN PRODUCE SIGNIFICANT FORCES WHEN UNDER HIGH SUPPLY PRESSURES. SEE PRODUCT MANUAL REGARDING PROPER OPERATING PROCEDURE.

ITEM NO.	PART NUMBER	DESCRIPTION
1	9121-FH14-M	STAINLESS STEEL FLUID/AIR MODULE WITH (4) 1/2 Rc SELF-SEALING PORTS, 3/8 VALVE COMPONENTS, NIPPLE PORT WITH RADIAL SEAL, MASTER SIDE
2	9121-FH14-T	STAINLESS STEEL FLUID/AIR MODULE WITH (4) 1/2 Rc SELF-SEALING PORTS, 3/8 VALVE COMPONENTS, C-BORE FOR NIPPLE PORT, TOOL SIDE

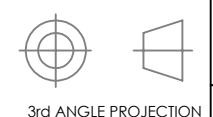
NOTES: UNLESS OTHERWISE SPECIFIED.

DO NOT SCALE DRAWING. ALL DIMENSIONS ARE IN MILLIMETERS.



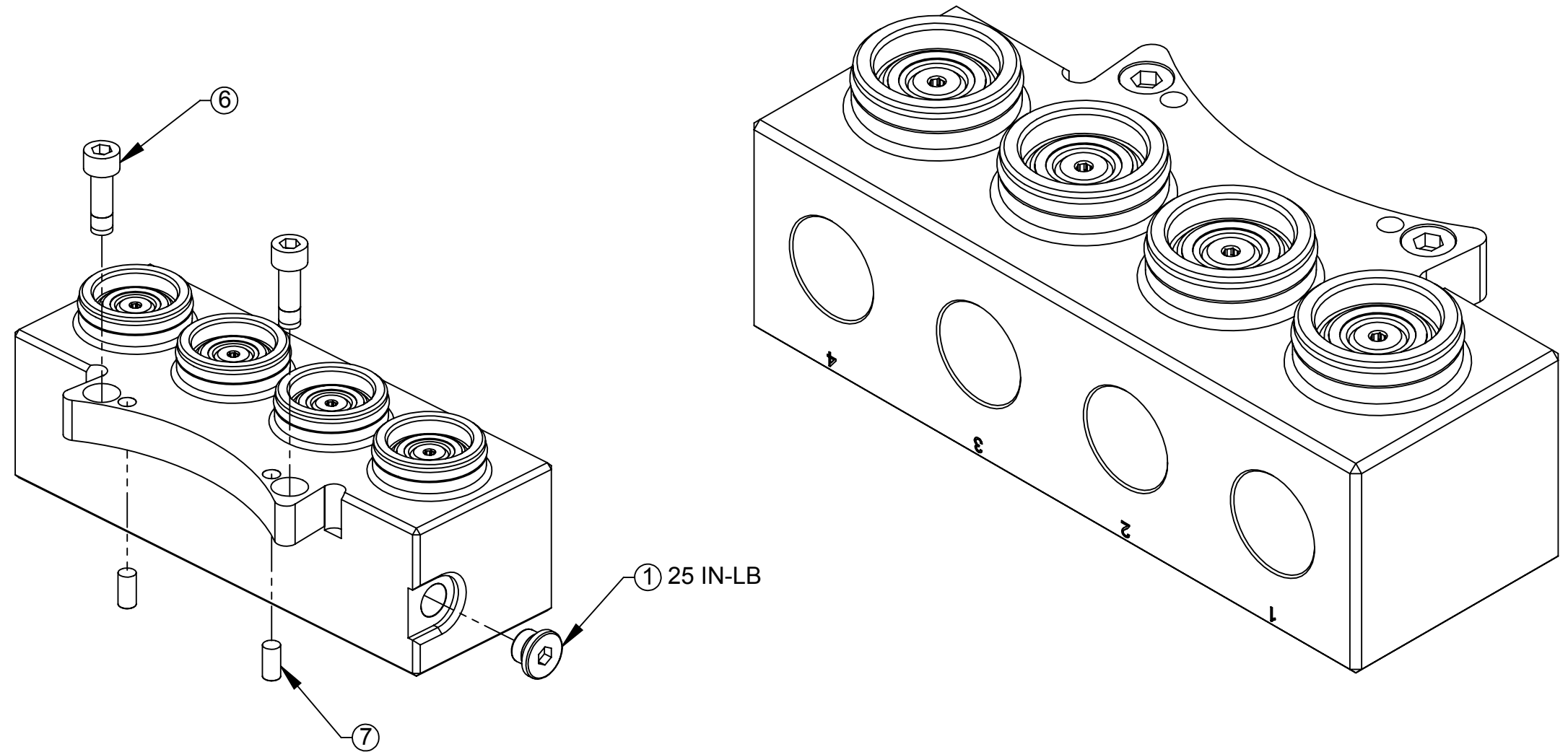
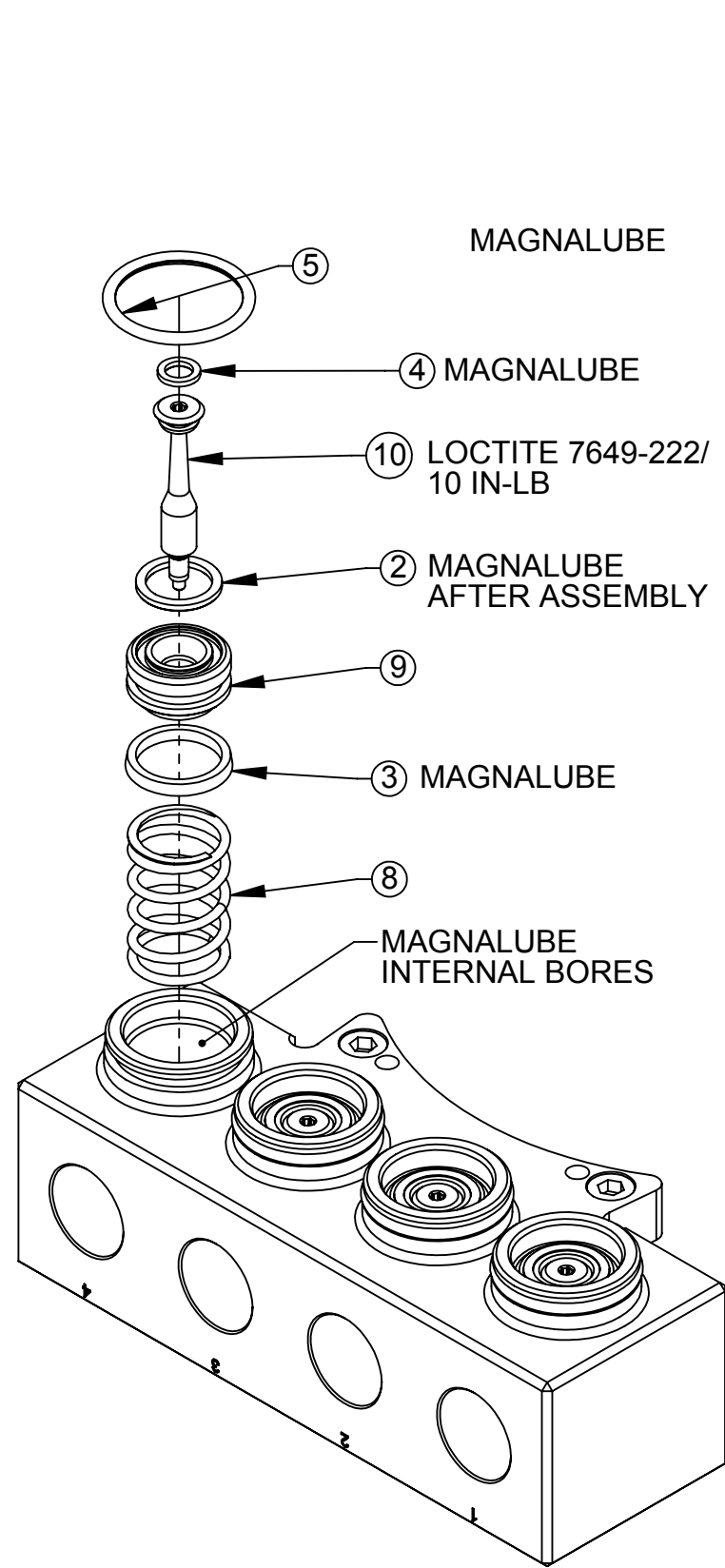
1031 Goodworth Drive, Apex, NC 27539, USA
 Tel: +1.919.772.0115 Email: info@ati-ia.com
 Fax: +1.919.772.8259 www.ati-ia.com
 ISO 9001 Registered Company

PROPERTY OF ATI INDUSTRIAL AUTOMATION, INC. NOT TO BE REPRODUCED IN ANY MANNER EXCEPT ON ORDER OR WITH PRIOR WRITTEN AUTHORIZATION OF ATI.



DRAWN BY: J. Pendleton 02/05/19		TITLE	
CHECKED BY: J. Ray 02/19/19		FH14 MODULE DRAWING	
PROJECT # 190131-1	SHEET 1 OF 3	SCALE 1:1	SIZE B
		DRAWING NUMBER 9630-20-FH14	REVISION 01

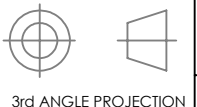
FH14-M SERVICEABLE PARTS



ITEM NO.	QTY	PART NUMBER	DESCRIPTION
1	1	3405-1000002-00	G1/8 Plug, Hex Socket, O-Ring Seal
2	4	3410-0001065-01	O-Ring 14MM X 2MM Buna
3	4	3410-0001068-01	Mini U-Cup Seal 18mm ID x 22mm Buna
4	4	3410-0001183-01	O-Ring 6MM X 2MM Buna D90
5	4	3410-0001477-01	O-RING, AS568-121, BUNA-N, D70
6	2	3500-1066020-21A	M6-1 x 20mm SHCS, SS, Pre-Applied
7	2	3540-0105010-21	5mm x 10mm Dowel Pin SST
8	4	3610-1912501-21	COMPRESSION SPRING, .845" OD, 1.250 FREE LENGTH, 31.7 LB/IN RATE, STAINLESS STEEL
9	4	3700-20-2994	Master Check Valve Piston, FA44
10	4	3700-20-10503	VALVE STEM, 3/8 TALL VALVE, M4 THREAD

NOTES: UNLESS OTHERWISE SPECIFIED.

DO NOT SCALE DRAWING. ALL DIMENSIONS ARE IN MILLIMETERS.

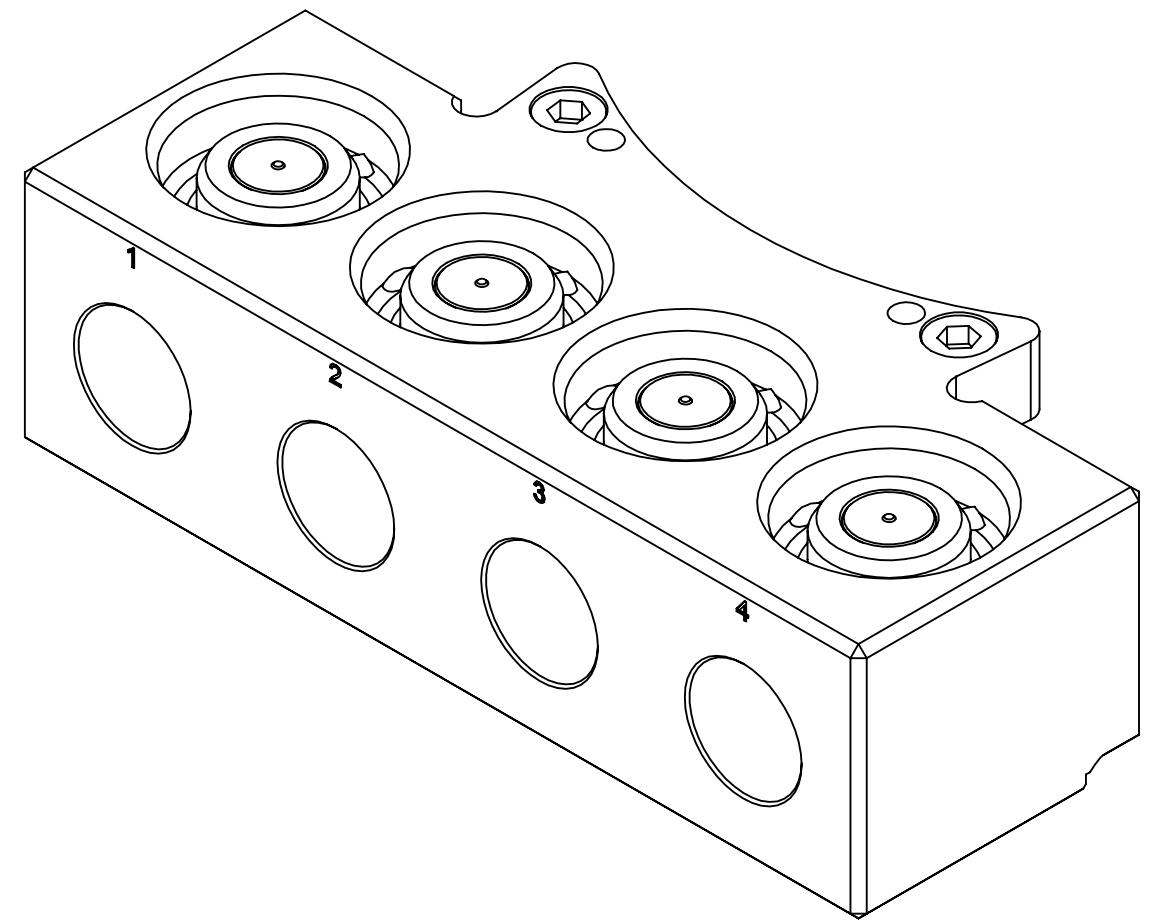
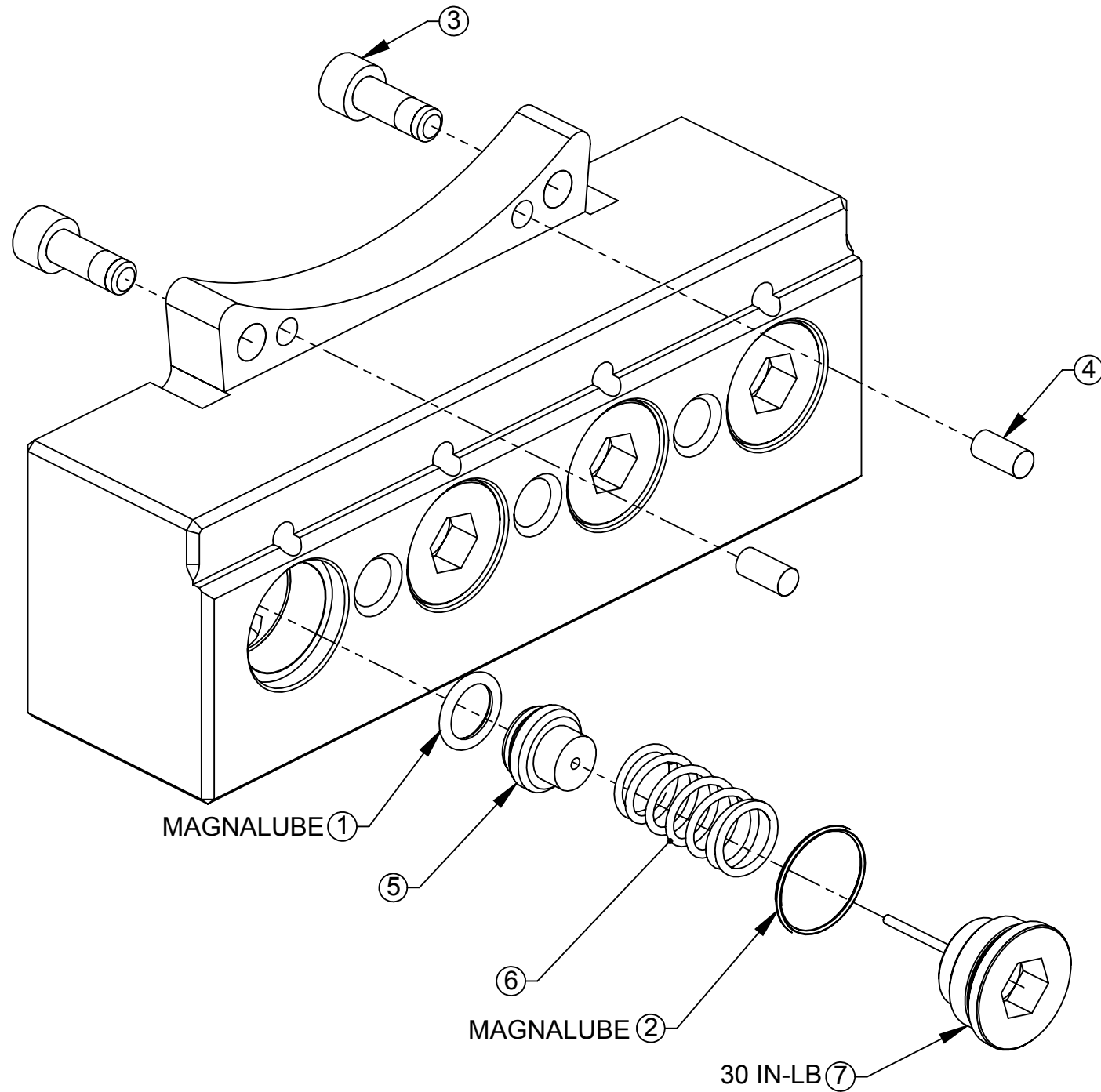


1031 Goodworth Drive, Apex, NC 27539, USA
 Tel: +1.919.772.0115 Email: info@ati-ia.com
 Fax: +1.919.772.8259 www.ati-ia.com
 ISO 9001 Registered Company

PROPERTY OF ATI INDUSTRIAL AUTOMATION, INC. NOT TO BE REPRODUCED IN ANY MANNER EXCEPT ON ORDER OR WITH PRIOR WRITTEN AUTHORIZATION OF ATI.

DRAWN BY: J. Pendleton 02/05/19		TITLE	
CHECKED BY: J. Ray 02/19/19		FH14 MODULE DRAWING	
PROJECT # 190131-1	SHEET 2 OF 3	SCALE 1:1	SIZE B
DRAWING NUMBER 9630-20-FH14		REVISION 01	

FH14-T SERVICEABLE PARTS



ITEM NO.	QTY	PART NUMBER	DESCRIPTION
1	4	3410-0001067-01	O-ring, 10mm x 2mm, Buna N, Dur. 90
2	4	3410-0001284-01	O-ring, .669OD x .047 wall, 70D, Buna-N
3	2	3500-1066016-21A	M6-1 x 16mm SHCS, SS, Pre-Applied
4	2	3540-0105010-21	5mm x 10mm Dowel Pin SST
5	4	3700-20-1457	SW-150A Tool Check Valve Piston
6	4	3700-20-1460	SPRING, F/A TOOL
7	4	9005-20-1515	3/8" Check Port Long Plug with Dowel

NOTES: UNLESS OTHERWISE SPECIFIED.

DO NOT SCALE DRAWING. ALL DIMENSIONS ARE IN MILLIMETERS.



3rd ANGLE PROJECTION



1031 Goodworth Drive, Apex, NC 27539, USA
 Tel: +1.919.772.0115 Email: info@ati-ia.com
 Fax: +1.919.772.8259 www.ati-ia.com
 ISO 9001 Registered Company

PROPERTY OF ATI INDUSTRIAL AUTOMATION, INC. NOT TO BE REPRODUCED IN ANY MANNER EXCEPT ON ORDER OR WITH PRIOR WRITTEN AUTHORIZATION OF ATI.

DRAWN BY: J. Pendleton 02/05/19		TITLE		
CHECKED BY: J. Ray 02/19/19		FH14 MODULE DRAWING		
PROJECT # 190131-1	SHEET 3 OF 3	SCALE 1:1	SIZE B	DRAWING NUMBER 9630-20-FH14
				REVISION 01