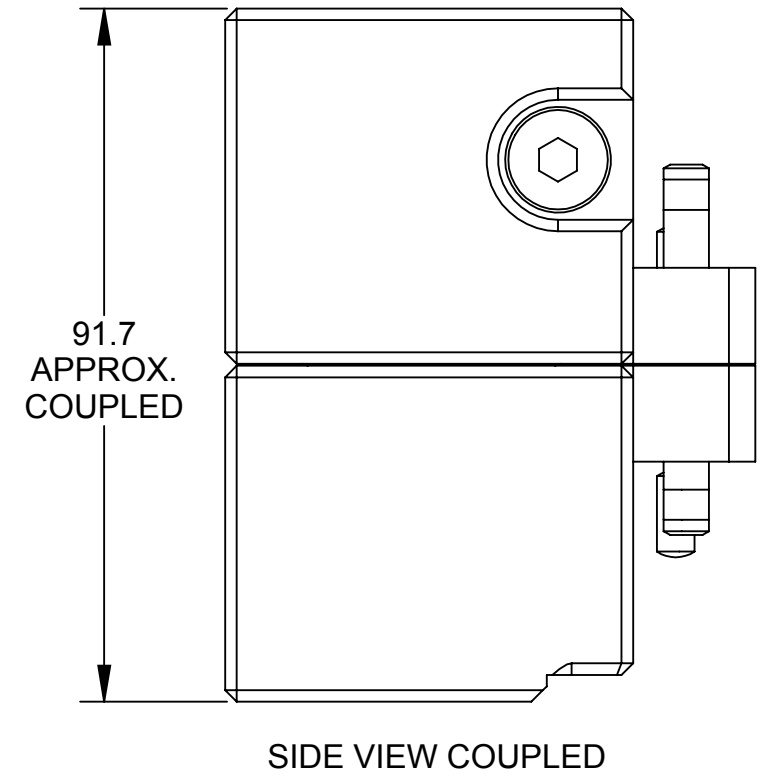
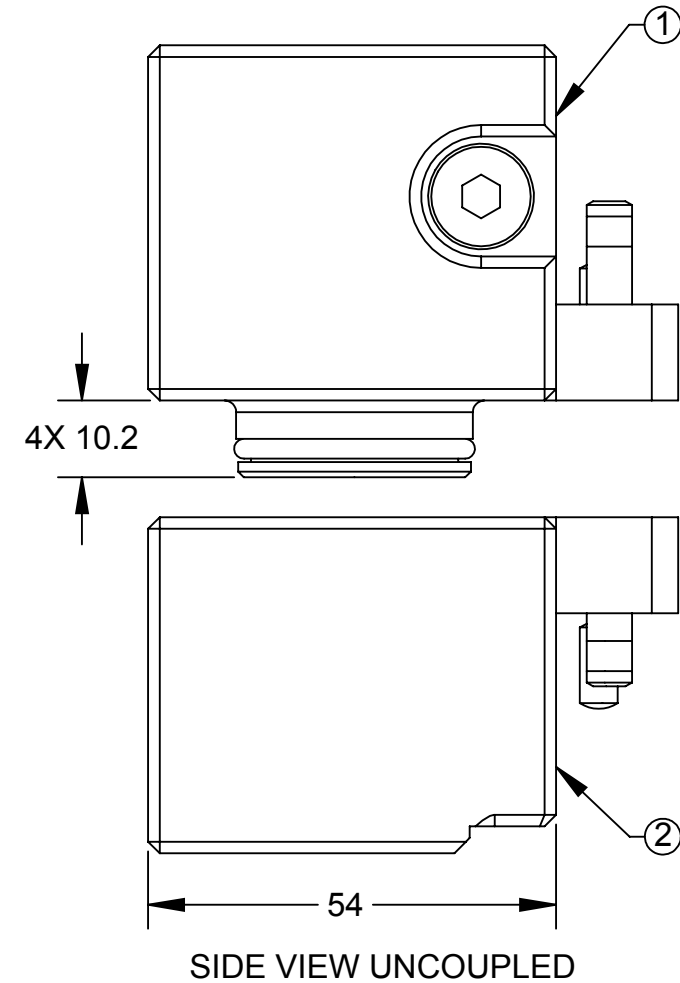
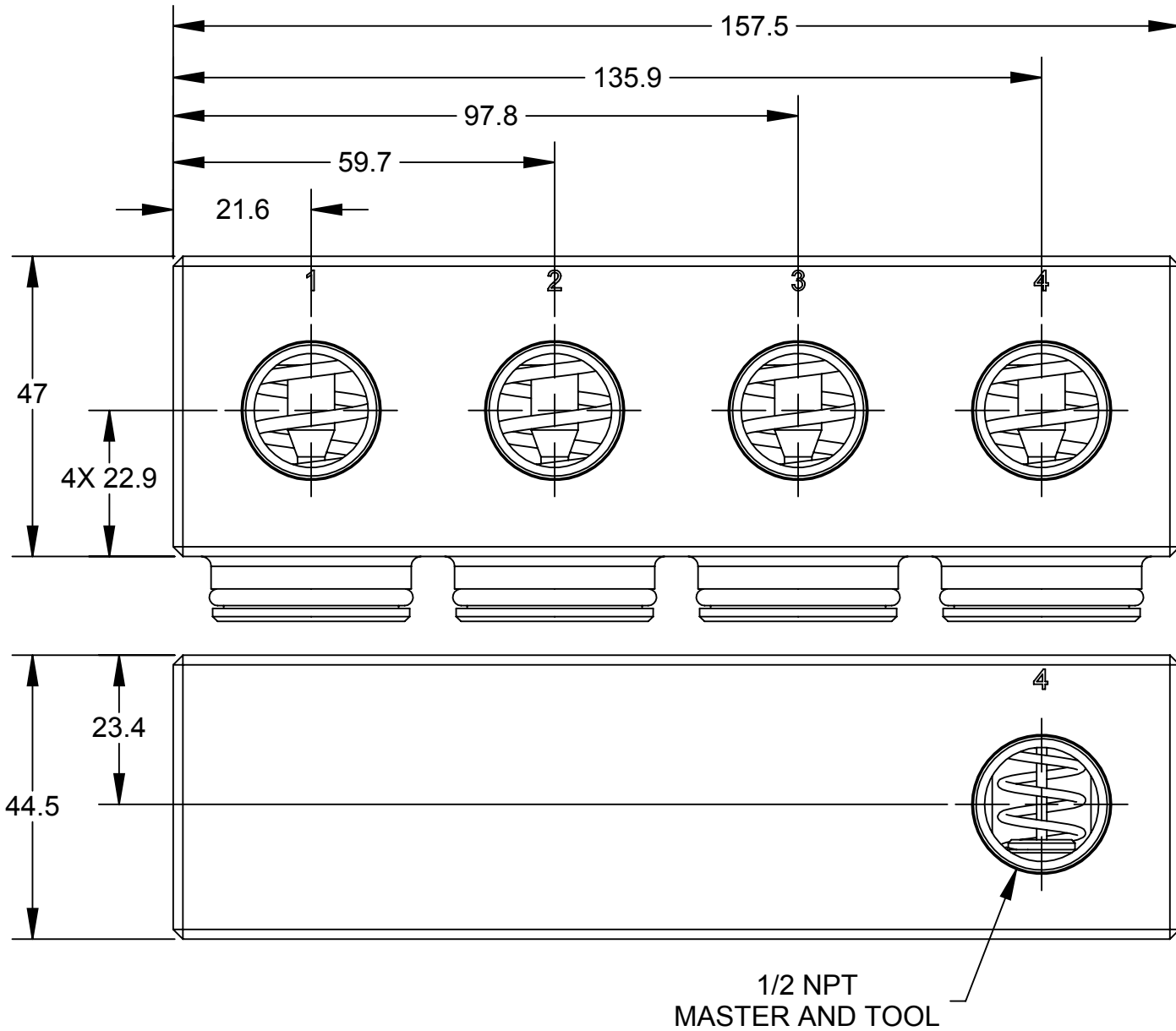


REV.	DESCRIPTION	INITIATOR	DATE
03	ECO 16921: Sheet 3: Added QTY. 1 of 9005-20-1515. Removed 3540-0101750-21 & 3700-20-4121. Resorted BOM table.	TBC	6/29/2018



ITEM NO.	QTY	PART NUMBER	DESCRIPTION
1	1	9121-FH13-M	STAINLESS STEEL FLUID/AIR MODULE WITH (4) 1/2 NPT SELF-SEALING PORTS, 3/8 VALVE COMPONENTS, NIPPLE PORT WITH RADIAL SEAL, MASTER SIDE
2	1	9121-AP6-T	AIR MODULE WITH (1) 1/2 NPT SELF-SEALING PORT, 3/8 VALVE COMPONENTS, C-BORE FOR NIPPLE PORT, TOOL SIDE

NOTES:

MATERIALS OF CONSTRUCTION:

1. FH13 HOUSING: STAINLESS STEEL
2. AP6 HOUSING: ALUMINUM.
3. VALVE COMPONENTS: STAINLESS STEEL, PVC, NITRILE
4. G1/8 PLUG: NICKEL PLATED BRASS

OPERATIONS:

5. FOR BEST RESULTS ENSURE FLUIDS ARE NEAR NEUTRAL pH, MINIMIZE FLUID PARTICULATE SIZE AND KEEP FLUID MODULE MATING SURFACES FREE AND CLEAR OF ANY DEBRIS.
6. CHECKED PORTS CAN PRODUCE SIGNIFICANT FORCES WHEN UNDER HIGH SUPPLY PRESSURES. SEE PRODUCT MANUAL REGARDING PROPER OPERATING PROCEDURE.

NOTES: UNLESS OTHERWISE SPECIFIED.
DO NOT SCALE DRAWING. ALL DIMENSIONS ARE IN MILLIMETERS.

ATI INDUSTRIAL AUTOMATION

1031 Goodworth Drive, Apex, NC 27539, USA
Tel: +1.919.772.0115 Email: info@ati-ia.com
Fax: +1.919.772.8259 www.ati-ia.com
ISO 9001 Registered Company

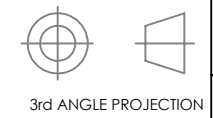
PROPERTY OF ATI INDUSTRIAL AUTOMATION, INC. NOT TO BE REPRODUCED IN ANY MANNER EXCEPT ON ORDER OR WITH PRIOR WRITTEN AUTHORIZATION OF ATI.

DRAWN BY: K. ZACHARY 12/04/17
CHECKED BY: B. KENDRICK 12/19/17

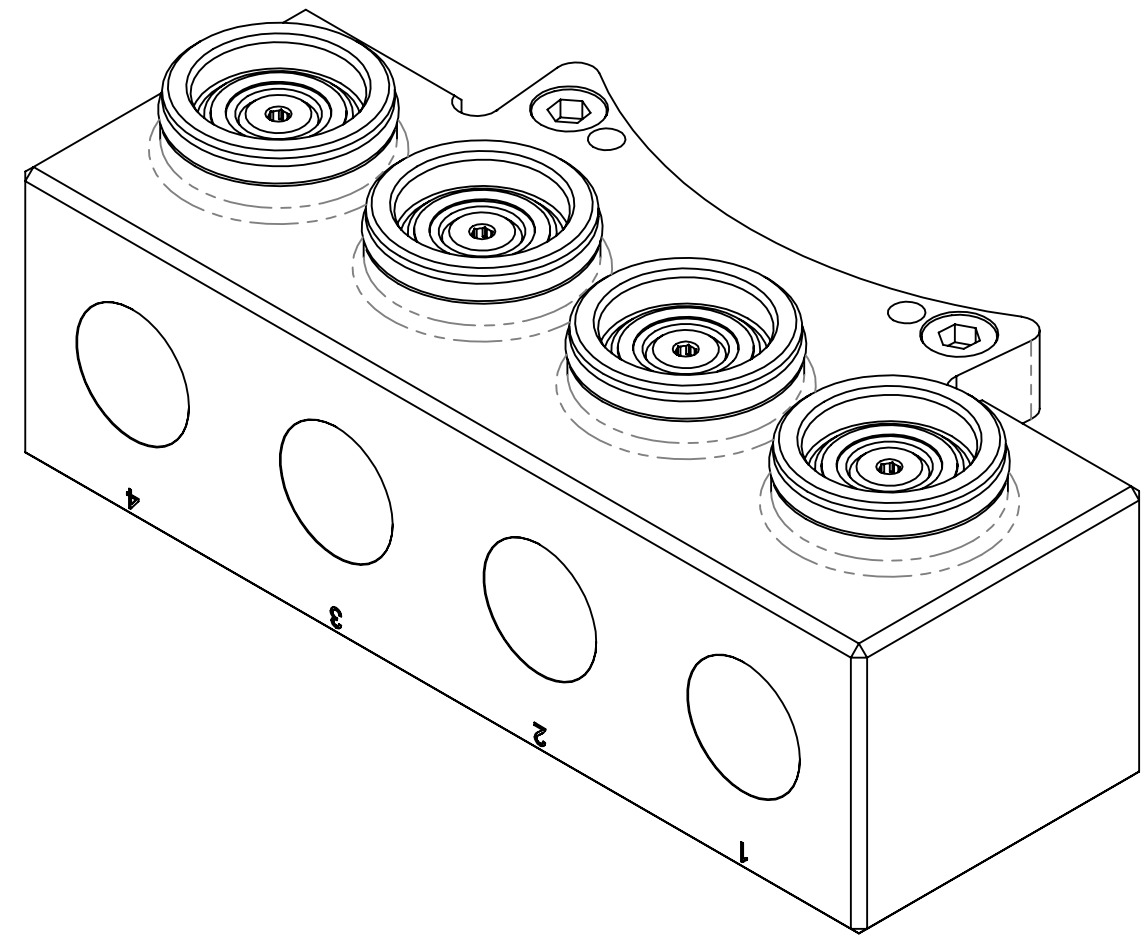
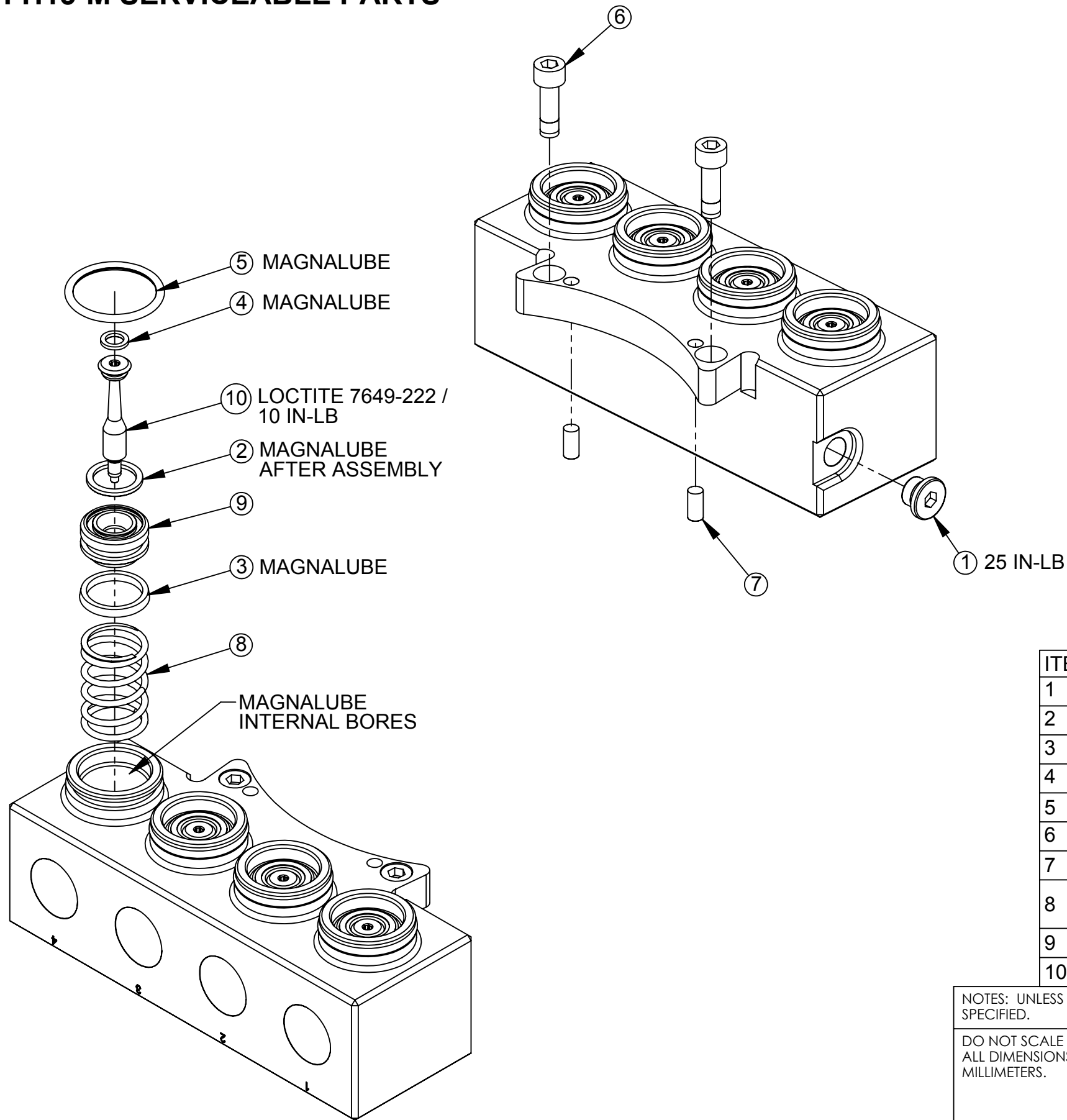
PROJECT # 170515-3 SHEET 1 OF 3

TITLE: FH13 F/A MASTER WITH AP6 AIR ONLY TOOL DRAWING

SCALE: 1:1
SIZE: B
DRAWING NUMBER: 9630-20-FH13M AP6T
REVISION: 03



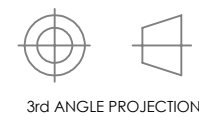
FH13-M SERVICEABLE PARTS



ITEM NO.	QTY	PART NUMBER	DESCRIPTION
1	1	3405-1000002-00	G1/8 Plug, Hex Socket, O-Ring Seal
2	4	3410-0001065-01	O-Ring 14MM X 2MM Buna
3	4	3410-0001068-01	Mini U-Cup Seal 18mm ID x 22mm Buna
4	4	3410-0001183-01	O-Ring 6MM X 2MM Buna D90
5	4	3410-0001477-01	O-RING, AS568-121, BUNA-N, D70
6	2	3500-1066020-21A	M6-1 x 20mm SHCS, SS, Pre-Applied
7	2	3540-0105010-21	5mm x 10mm Dowel Pin SST
8	4	3610-1912501-21	COMPRESSION SPRING, .845" OD, 1.250 FREE LENGTH, 31.7 LB/IN RATE, STAINLESS STEEL
9	4	3700-20-2994	Master Check Valve Piston, FA44
10	4	3700-20-10503	VALVE STEM, 3/8 TALL VALVE, M4 THREAD

NOTES: UNLESS OTHERWISE SPECIFIED.

DO NOT SCALE DRAWING. ALL DIMENSIONS ARE IN MILLIMETERS.

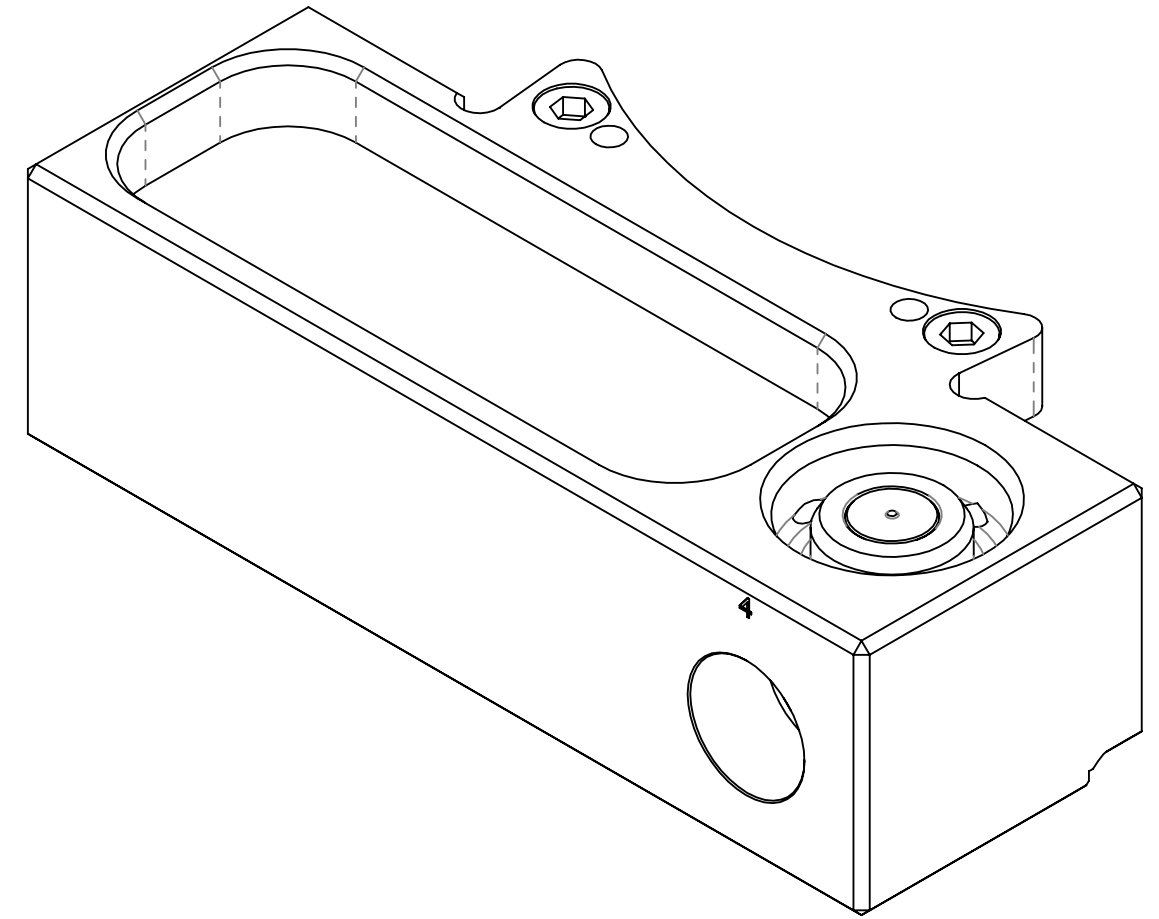
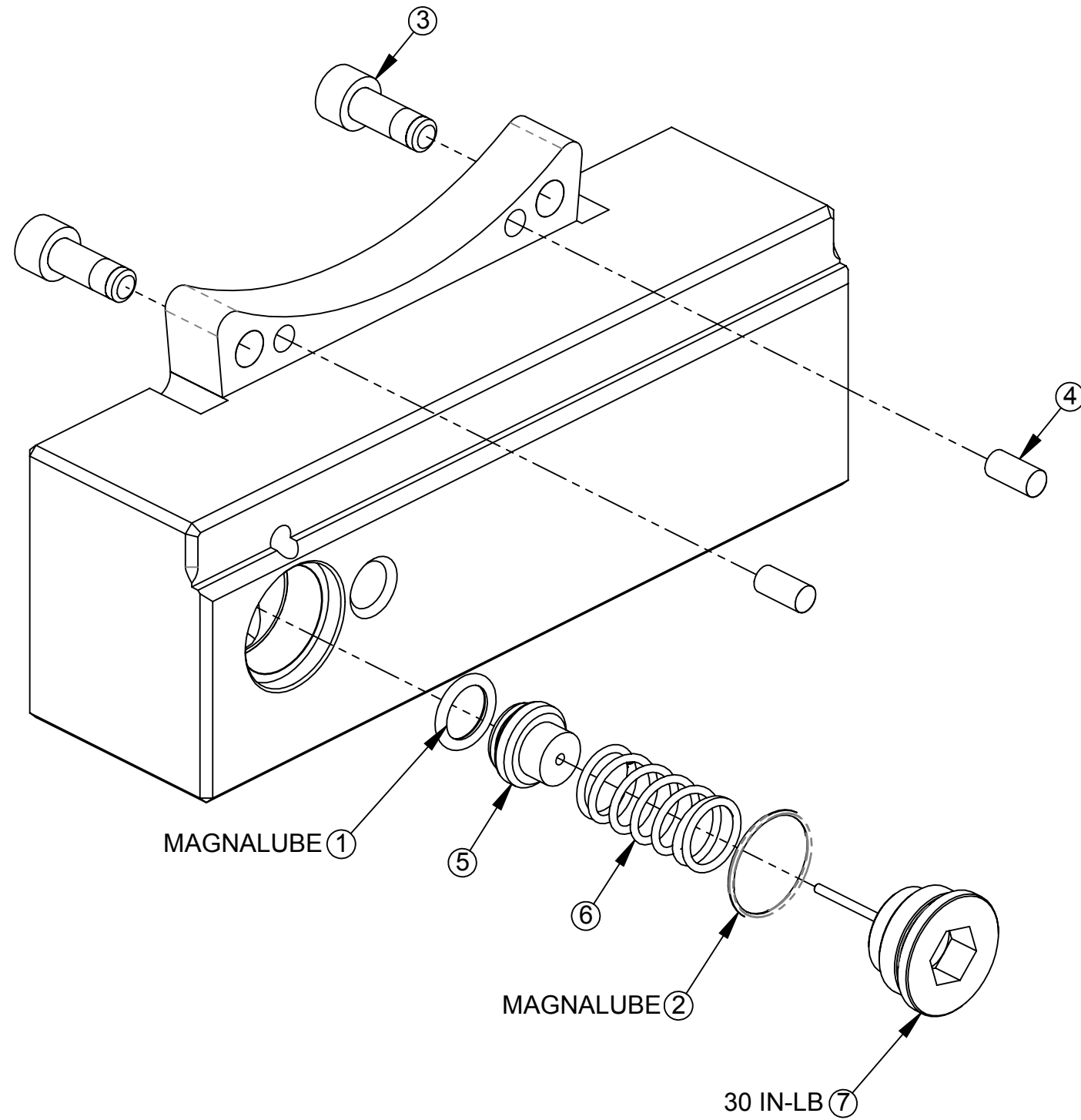


1031 Goodworth Drive, Apex, NC 27539, USA
 Tel: +1.919.772.0115 Email: info@ati-ia.com
 Fax: +1.919.772.8259 www.ati-ia.com
 ISO 9001 Registered Company

PROPERTY OF ATI INDUSTRIAL AUTOMATION, INC. NOT TO BE REPRODUCED IN ANY MANNER EXCEPT ON ORDER OR WITH PRIOR WRITTEN AUTHORIZATION OF ATI.

DRAWN BY: K. ZACHARY 12/04/17		TITLE	
CHECKED BY: B. KENDRICK 12/19/17		FH13 F/A MASTER WITH AP6 AIR ONLY TOOL DRAWING	
PROJECT #	170515-3	SHEET	2 OF 3
SCALE	1:1	SIZE	B
DRAWING NUMBER	9630-20-FH13M AP6T		REVISION
			03

AP6-T SERVICEABLE PARTS



ITEM NO.	QTY	PART NUMBER	DESCRIPTION
1	1	3410-0001067-01	O-ring, 10mm x 2mm, Buna N, Dur. 90
2	1	3410-0001284-01	O-ring, .669OD x .047 wall, 70D, Buna-N
3	2	3500-1066016-21A	M6-1 x 16mm SHCS, SS, Pre-Applied
4	2	3540-0105010-21	5mm x 10mm Dowel Pin SST
5	1	3700-20-1457	SW-150A Tool Check Valve Piston
6	1	3700-20-1460	SPRING, F/A TOOL
7	1	9005-20-1515	3/8" Check Port Long Plug with Dowel

NOTES: UNLESS OTHERWISE SPECIFIED.

DO NOT SCALE DRAWING. ALL DIMENSIONS ARE IN MILLIMETERS.



3rd ANGLE PROJECTION



1031 Goodworth Drive, Apex, NC 27539, USA
 Tel: +1.919.772.0115 Email: info@ati-ia.com
 Fax: +1.919.772.8259 www.ati-ia.com
 ISO 9001 Registered Company

PROPERTY OF ATI INDUSTRIAL AUTOMATION, INC. NOT TO BE REPRODUCED IN ANY MANNER EXCEPT ON ORDER OR WITH PRIOR WRITTEN AUTHORIZATION OF ATI.

DRAWN BY: K. ZACHARY 12/04/17		TITLE	
CHECKED BY: B. KENDRICK 12/19/17		FH13 F/A MASTER WITH AP6 AIR ONLY TOOL DRAWING	
PROJECT #	170515-3	SHEET	3 OF 3
SCALE	1:1	SIZE	B
DRAWING NUMBER	9630-20-FH13M AP6T		REVISION
			03