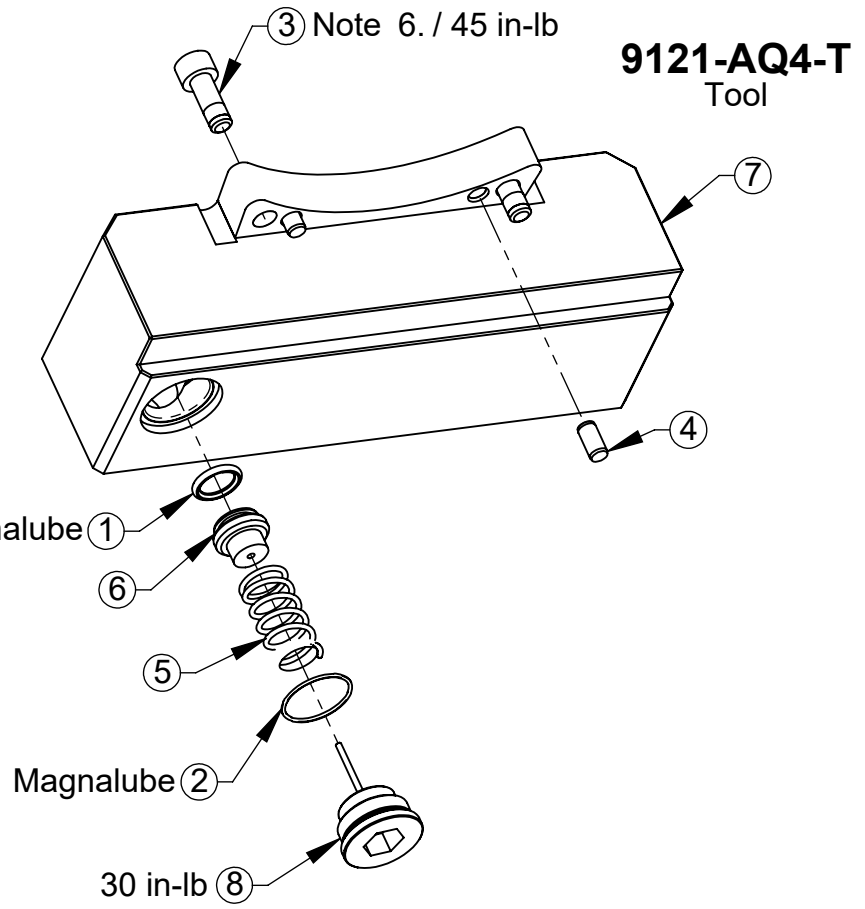
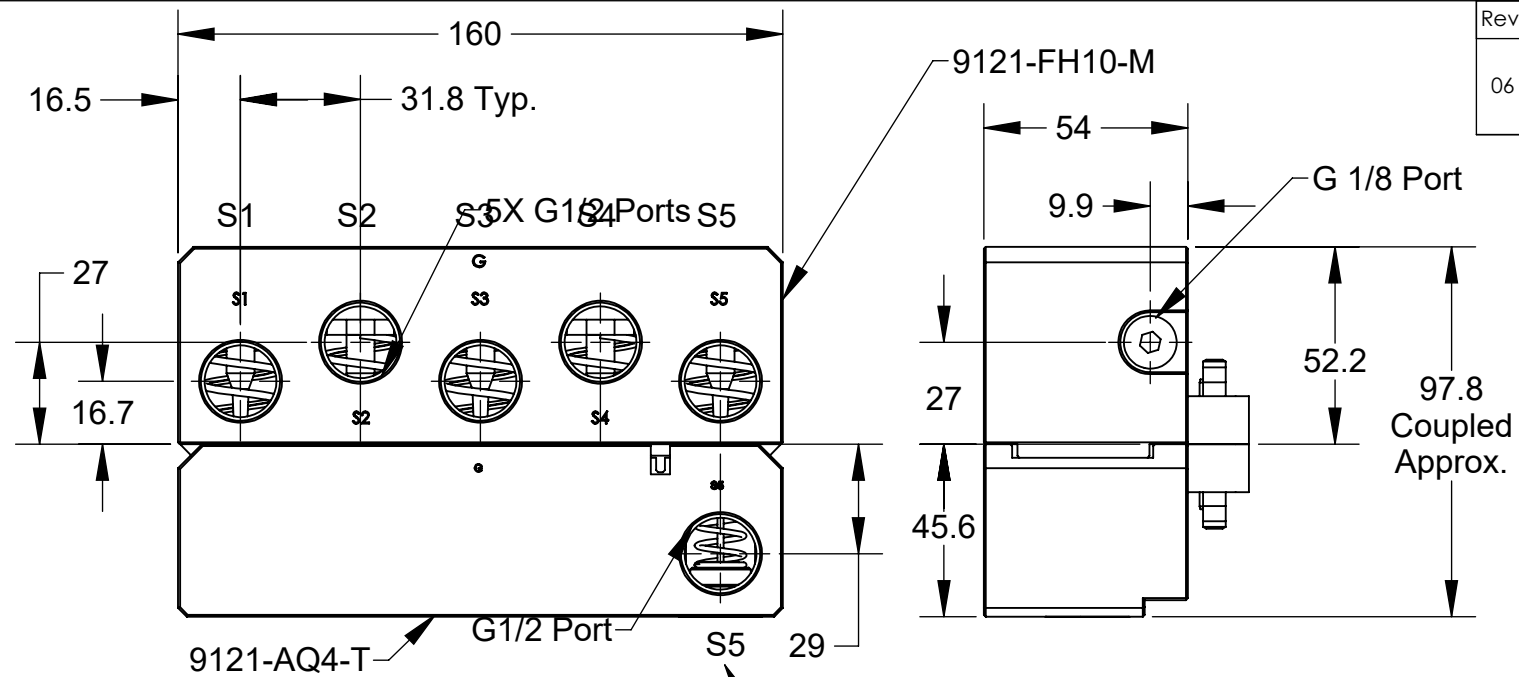
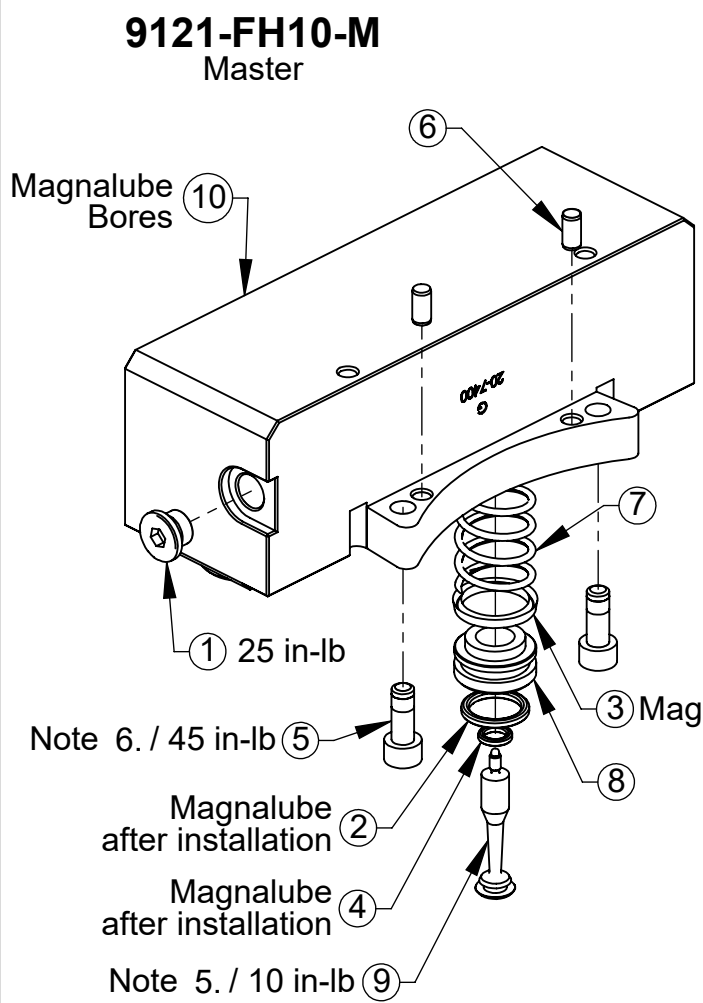


| Rev. | Description  | Initiator | Date      |
|------|--|-----------|-----------|
| 06   | ECO 19691; Part number engraving removed, dowel holes for clear assembly removed | EPR       | 2/17/2021 |



- Notes:
- Materials of Construction:
1. FH10 Housing - Stainless Steel
  2. AQ4 Housing - Anodized Aluminum
  3. Valve Components - Stainless Steel, PVC & Nitrile
  4. G 1/8 Plug - Nickel Plated Brass
  5. Replacement stem contains pre-applied thread locker. Use Loctite 7649 primer and Loctite 222 if reassembling with original stem.
  6. Replacement screw contains pre-applied thread locker. Use Loctite 7649 primer and Loctite 242 if reassembling with original screw.
- Operation:
7. **This module combination supports only the passage of air through the S5 port. For best results keep the module mating surfaces free and clear of any debris.**
  8. Checked ports can produce significant forces when under high supply pressures. See product manual regarding proper operating procedure.

| ITEM NO. | QTY. | PART NUMBER      | DESCRIPTION                         |
|----------|------|------------------|-------------------------------------|
| 1        | 1    | 3405-1000002-00  | G1/8 Plug, Hex Socket, O-Ring Seal  |
| 2        | 5    | 3410-0001065-01  | O-Ring 14MM X 2MM Buna              |
| 3        | 5    | 3410-0001068-01  | Mini U-Cup Seal 18mm ID x 22mm Buna |
| 4        | 5    | 3410-0001183-01  | O-Ring 6MM X 2MM Buna D90           |
| 5        | 2    | 3500-1066016-21A | M6-1 x 16mm SHCS, SS, Pre-Applied   |
| 6        | 2    | 3540-0105010-21  | 5mm x 10mm Dowel Pin SST            |
| 7        | 5    | 3610-3312500-20  | Spring, Fluid/Air Module, Master    |
| 8        | 5    | 3700-20-2994     | Master Check Valve Piston           |
| 9        | 5    | 3700-20-2996     | VALVE STEM, HIGH STRENGTH           |
| 10       | 1    | 3700-20-7400     | FH10 Housing, Master                |

| ITEM NO. | QTY. | PART NUMBER      | DESCRIPTION                             |
|----------|------|------------------|---|
| 1        | 1    | 3410-0001067-01  | O-ring, 10mm x 2mm, Buna N, Dur. 90     |
| 2        | 1    | 3410-0001284-01  | O-ring, .669OD x .047 wall, 70D, Buna-N |
| 3        | 2    | 3500-1066016-21A | M6-1 x 16mm SHCS, SS, Pre-Applied       |
| 4        | 2    | 3540-0105010-21  | 5mm x 10mm Dowel Pin SST                |
| 5        | 1    | 3610-2712500-20  | Spring, Fluid/Air Module, Tool          |
| 6        | 1    | 3700-20-1457     | Tool Fluid/Air Check Valve Piston       |
| 7        | 1    | 3700-20-7402     | AQ4 Housing, Tool                       |
| 8        | 1    | 9005-20-1515     | 3/8" Check Port Long Plug with Dowel    |

Note: Service Kit 9120-F1-T-Kit consists of (1) each of items 1, 2, & 5.

Note: Service Kit 9120-F2-M-Kit consists of (1) each of items 2, 3, 4, & 7.

NOTES: UNLESS OTHERWISE SPECIFIED.

DO NOT SCALE DRAWING. ALL DIMENSIONS ARE IN MILLIMETERS.

**ATI INDUSTRIAL AUTOMATION**

1031 Goodworth Drive, Apex, NC 27539, USA  
 Tel: +1.919.772.0115 www.ati-ia.com  
 Fax: +1.919.772.8259 ISO 9001 Registered Company

PROPERTY OF ATI INDUSTRIAL AUTOMATION, INC. NOT TO BE REPRODUCED IN ANY MANNER EXCEPT ON ORDER OR WITH PRIOR WRITTEN AUTHORIZATION OF ATI.

3rd ANGLE PROJECTION

DRAWN BY: D.Lawson-1/17/12  
 CHECKED BY: D.Swanson-1/31/12

PROJECT # 110207-1 SHEET 1 OF 1

TITLE: FH10-M / AQ4-T Module Drawing

| SCALE | SIZE | DRAWING NUMBER     | REVISION |
|-------|------|--------------------|----------|
| 1:2   | B    | 9630-20-FH10M-AQ4T | 06       |