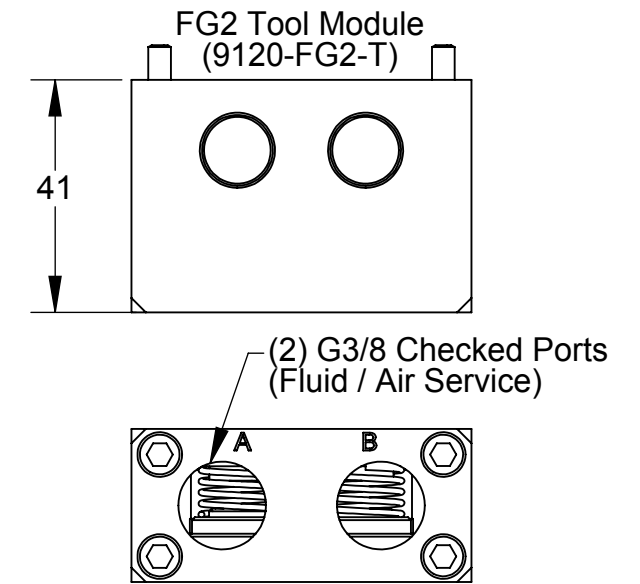
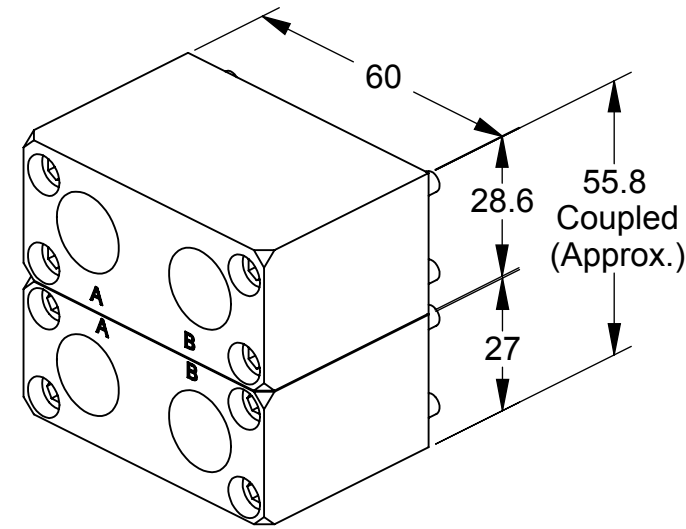
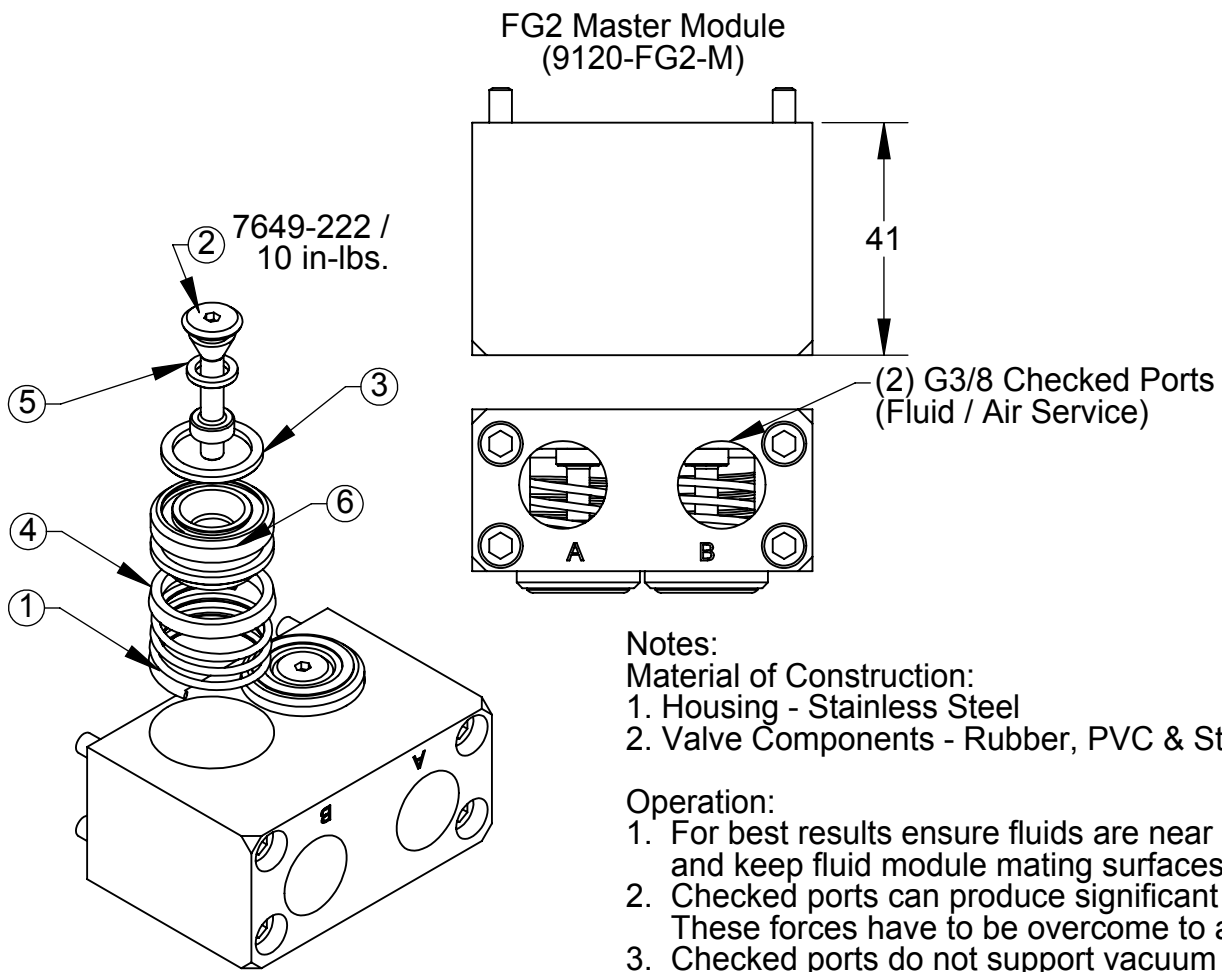


Rev.	Description	Initiator	Date
06	ECO 12704; Added Torque Values To Valve Stem & Plug	TBC	11/5/2014

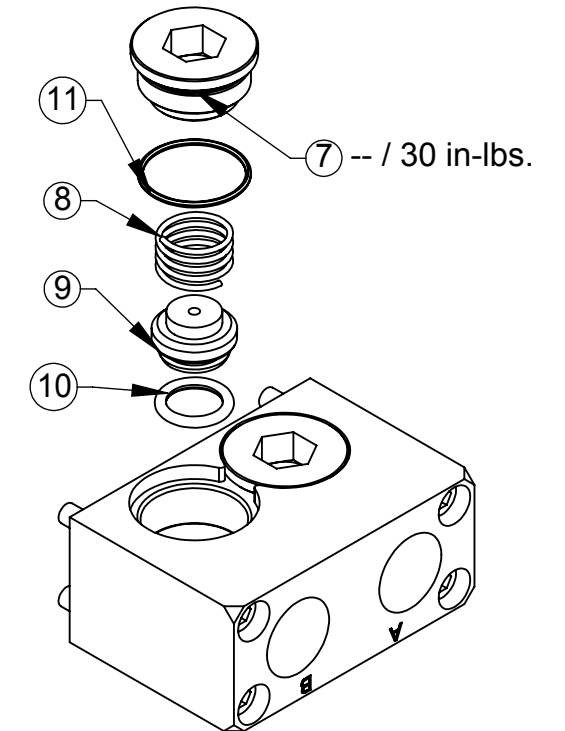


Notes:  
Material of Construction:  
1. Housing - Stainless Steel  
2. Valve Components - Rubber, PVC & Stainless Steel

Operation:  
1. For best results ensure fluids are near neutral pH, minimize fluid particulate size and keep fluid module mating surfaces free and clear of any debris.  
2. Checked ports can produce significant forces when under high supply pressures. These forces have to be overcome to achieve tool changer coupling.  
3. Checked ports do not support vacuum conditions.

**FG2-T Serviceable Parts**

ITEM NO.	QTY.	PART NUMBER	DESCRIPTION
7	2	3700-20-3288	Plug, F/A Tool
8	2	3610-6401501-21	SS Spring 14mm O.D.
9	2	3700-20-2303	Check Valve
10	2	3410-0001067-01	O-Ring, 10mm x 2mm, Buna N, Dur. 90
11	2	3410-0001284-01	O-Ring, .669OD x .047 wall, 70D, Buna-N



**FG2-M Serviceable Parts**

ITEM NO.	QTY.	PART NUMBER	DESCRIPTION
1	2	3610-1907501-21	SS SPRING 7/8 OD
2	2	3700-20-3488	Valve Stem
3	2	3410-0001065-01	O-Ring 14MM X 2MM Buna
4	2	3410-0001068-01	Mini U-cup Seal 18mm ID x 22mm Buna
5	2	3410-0001183-01	O-Ring 6MM X 2MM Buna D90
6	2	3700-20-2994	Maser Check Valve Piston, FA44

**9120-F-T-Kit Spring and O-Ring Replacement Kit**

ITEM NO.	QTY.	PART NUMBER	DESCRIPTION
10	1	3410-0001067-01	O-ring, 10mm x 2mm, Buna N, Dur. 90
11	1	3410-0001284-01	O-ring, .669OD x .047 wall, 70D, Buna-N
8	1	3610-6401501-21	SS Spring 14mm O.D.

**9120-F-M-Kit Spring and O-Ring Replacement Kit**

ITEM NO.	QTY.	PART NUMBER	DESCRIPTION
3	1	3410-0001065-01	O-Ring 14MM X 2MM Buna
5	1	3410-0001183-01	O-Ring 6MM X 2MM Buna D90
6	1	3610-1907501-21	SS SPRING 7/8 OD

NOTES: UNLESS OTHERWISE SPECIFIED.

DO NOT SCALE DRAWING. ALL DIMENSIONS ARE IN MILLIMETERS.



3rd ANGLE PROJECTION



1031 Goodworth Drive, Apex, NC 27539, USA  
Tel: +1.919.772.0115 Email: info@ati-ia.com  
Fax: +1.919.772.8259 www.ati-ia.com  
ISO 9001 Registered Company

PROPERTY OF ATI INDUSTRIAL AUTOMATION, INC. NOT TO BE REPRODUCED IN ANY MANNER EXCEPT ON ORDER OR WITH PRIOR WRITTEN AUTHORIZATION OF ATI.

DRAWN BY: Dan Norton, 10/20/03		TITLE	
CHECKED BY: B.Digeso 10/12/04		FG2 Fluid/Air Module Drawing	
PROJECT # 030729-2	SHEET 1 OF 1	SCALE 3:4	SIZE B
		DRAWING NUMBER 9630-20-FG2	REVISION 06