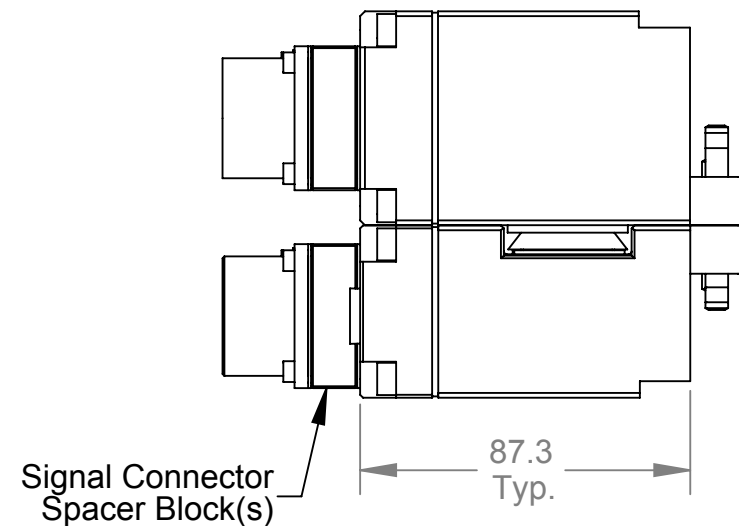
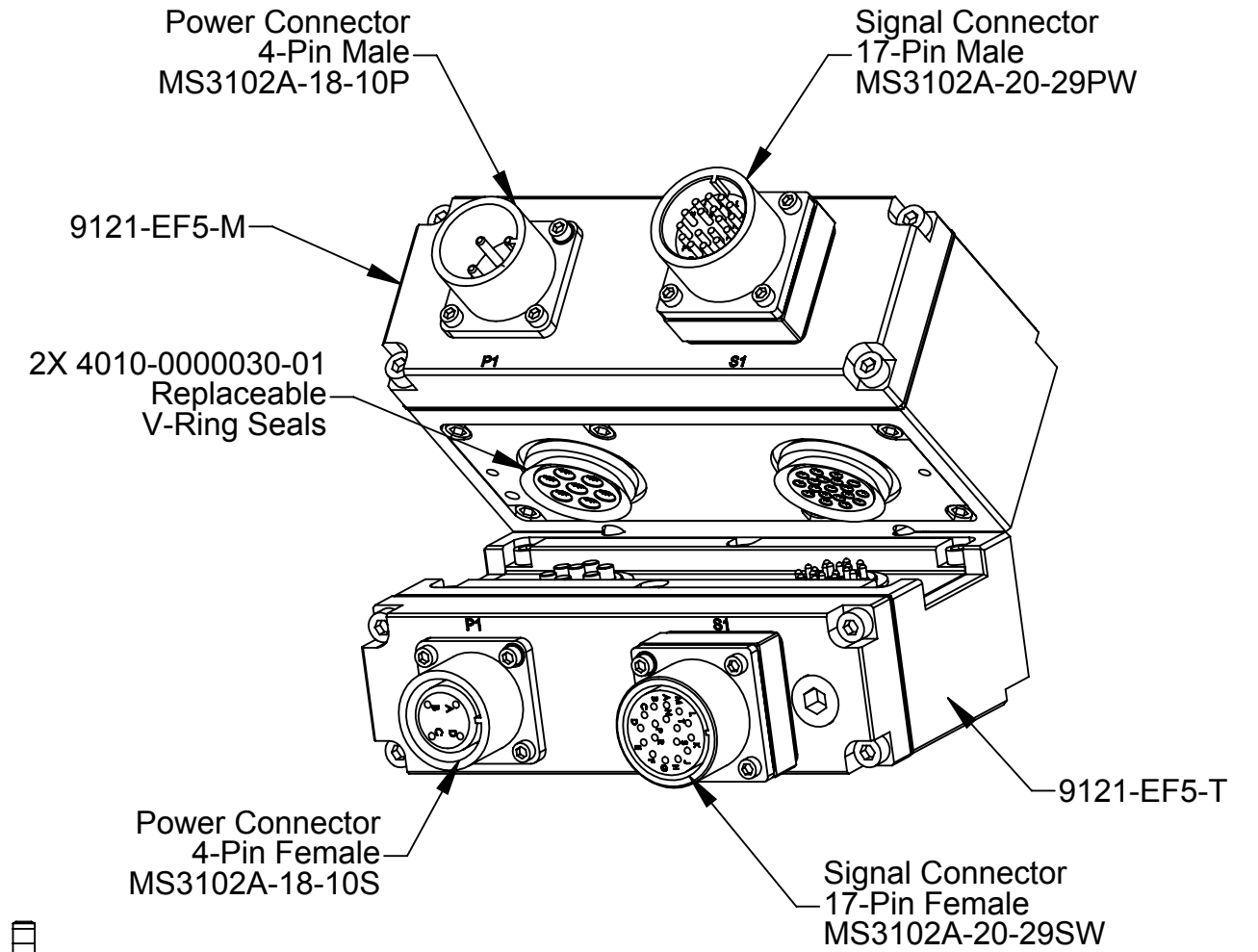
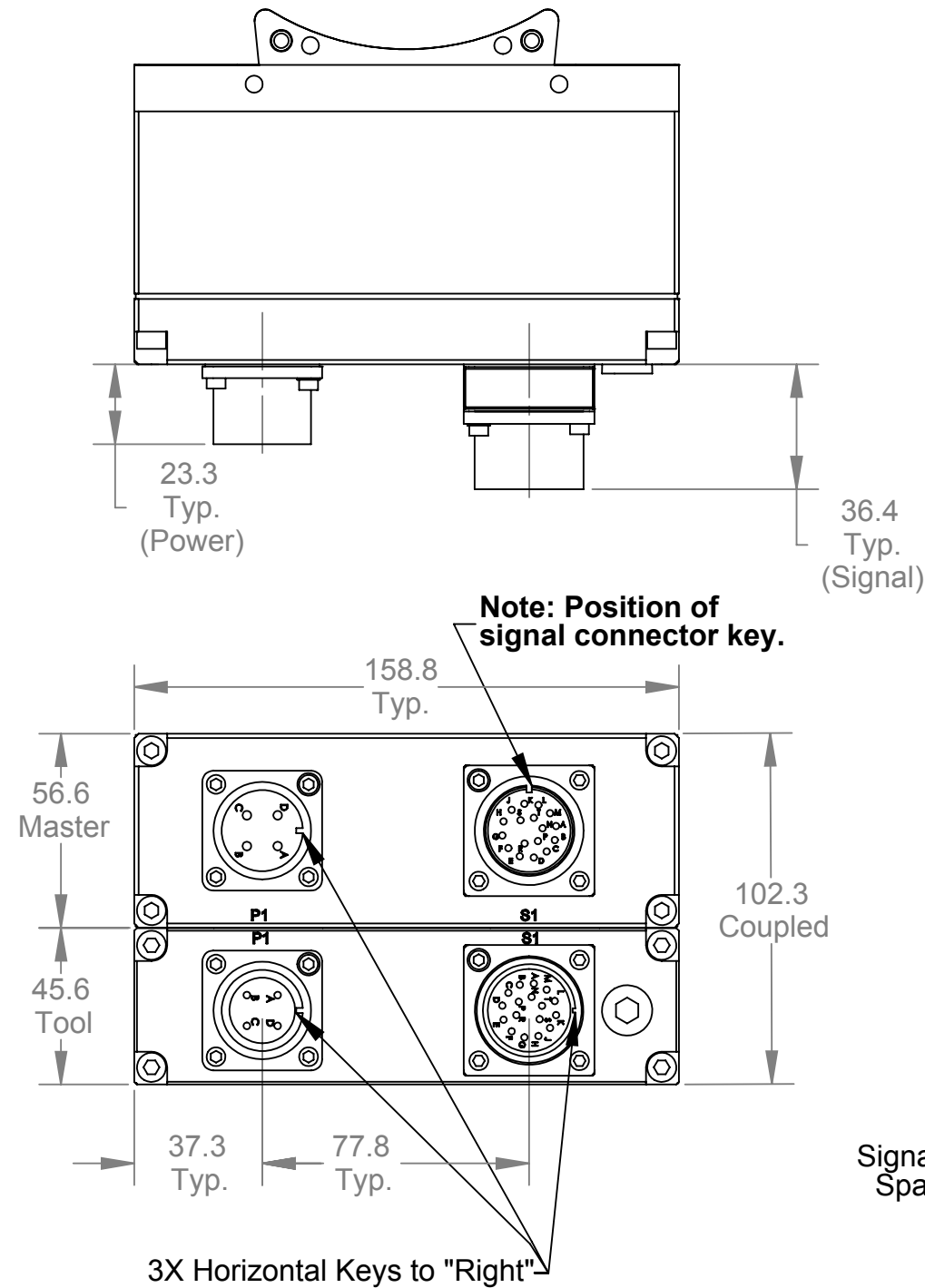


"DANGER!" - Electrical Shock Hazard

This module has a Voltage of 50V or greater, NO contact should be attempted before removing power. This especially includes separation or insertion of the mating connectors or any contact with the tool changer or its components.

Rev.	Description	Initiator	Date
06	Eco 13857; Added Pin Block Pin Positions to Electrical Schematic. Added Sheets 2, 3, & 4. Added Electrical Hazard Note. Updated drawing to Current Standards. Removed Cleat Assemblies from Model and Drawing. Added Electrical Shock Note.	CF	3/10/2016



NOTES: UNLESS OTHERWISE SPECIFIED.

DO NOT SCALE DRAWING. ALL DIMENSIONS ARE IN MILLIMETERS.



3rd ANGLE PROJECTION



1031 Goodworth Drive, Apex, NC 27539, USA
 Tel: +1.919.772.0115 Email: info@ati-ia.com
 Fax: +1.919.772.8259 www.ati-ia.com
 ISO 9001 Registered Company

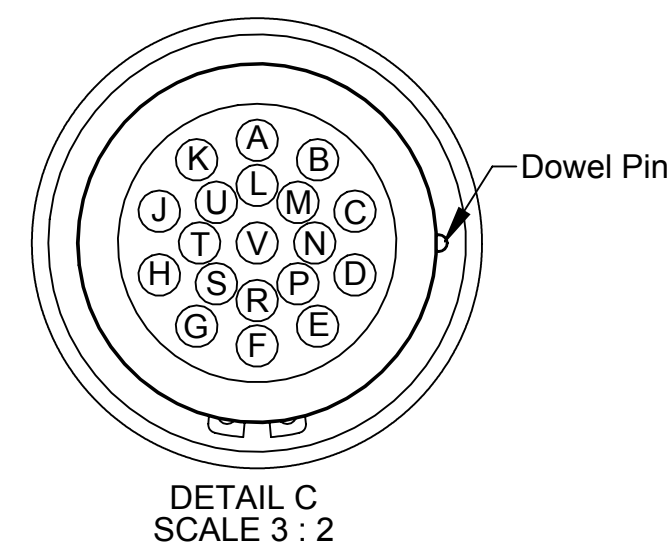
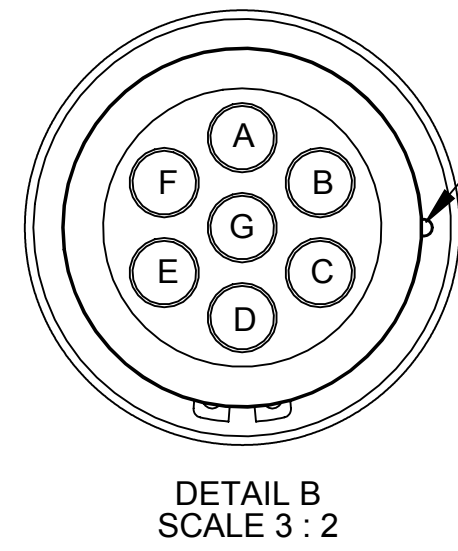
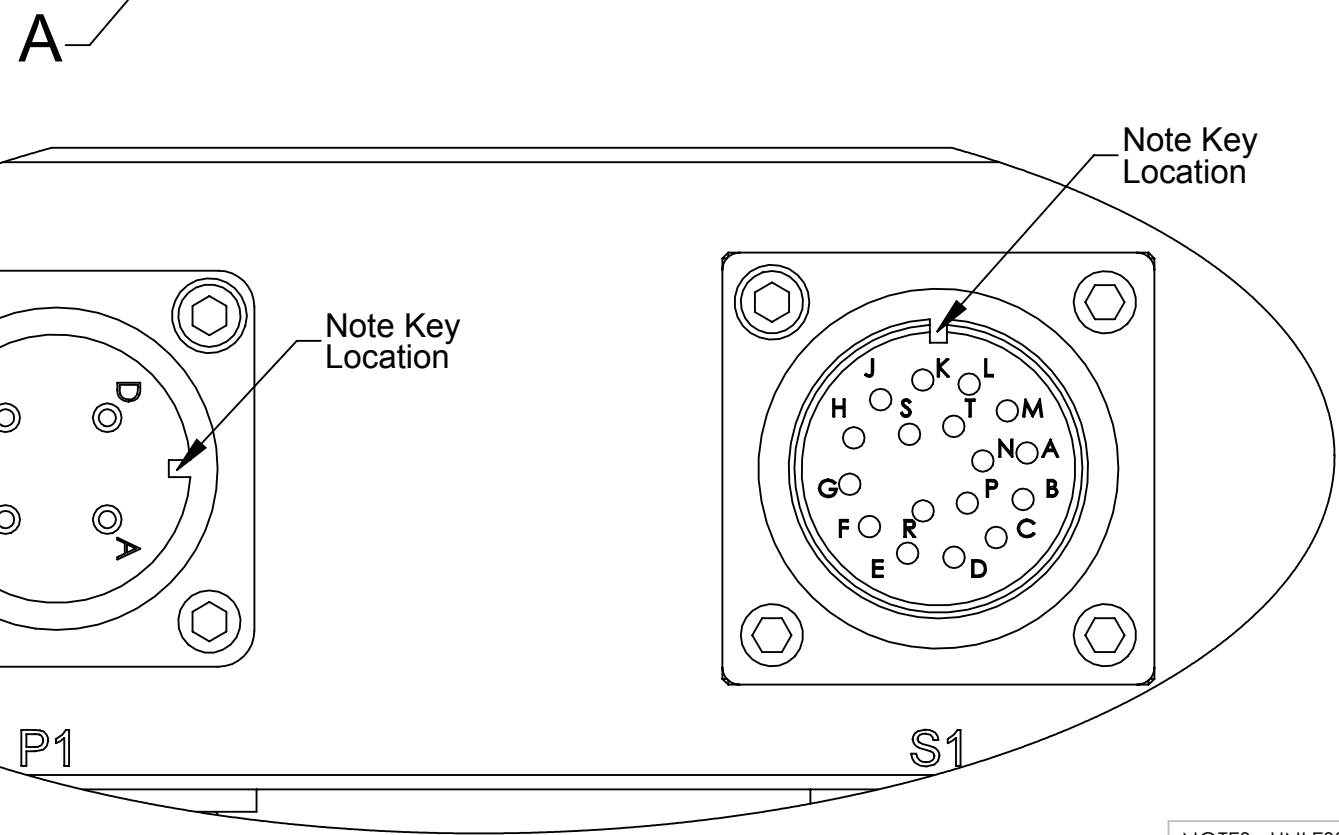
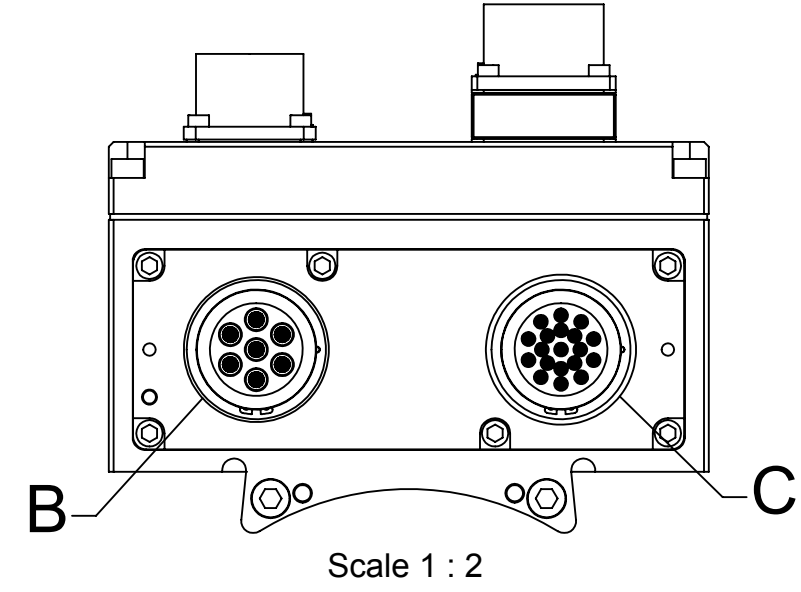
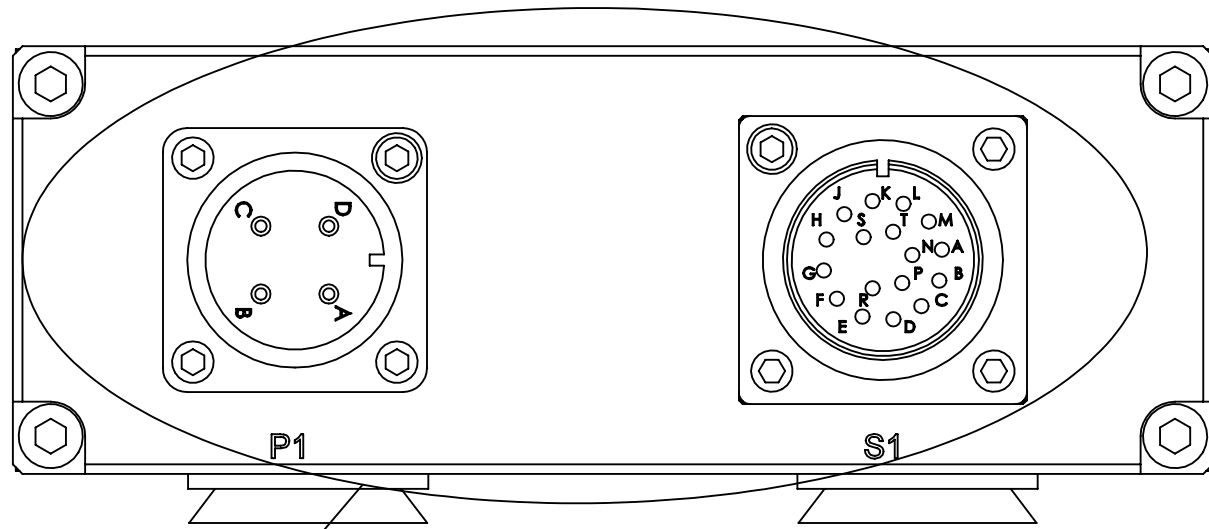
PROPERTY OF ATI INDUSTRIAL AUTOMATION, INC. NOT TO BE REPRODUCED IN ANY MANNER EXCEPT ON ORDER OR WITH PRIOR WRITTEN AUTHORIZATION OF ATI.

DRAWN BY: D.Lawson, 5/17/06		TITLE	
CHECKED BY: D.Swanson, 5/18/06		EF5 Servo Assembly & Wiring	
PROJECT #	060525-1	SHEET	1 OF 4
SCALE	1:2	SIZE	B
DRAWING NUMBER	9630-20-EF5	REVISION	06

- Operation:
- Do not couple or uncouple the servo modules unless electrical power has been disconnected and discharged both upstream and downstream from the modules.

EF5 MASTER MODULE

Rev.	Description	Initiator	Date
-	See Sheet1	-	-



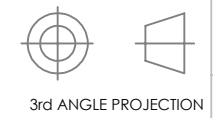
DETAIL A
SCALE 3 : 2

NOTES: UNLESS OTHERWISE SPECIFIED.
DO NOT SCALE DRAWING. ALL DIMENSIONS ARE IN MILLIMETERS.



1031 Goodworth Drive, Apex, NC 27539, USA
Tel: +1.919.772.0115 Email: info@ati-ia.com
Fax: +1.919.772.8259 www.ati-ia.com
ISO 9001 Registered Company

PROPERTY OF ATI INDUSTRIAL AUTOMATION, INC. NOT TO BE REPRODUCED IN ANY MANNER EXCEPT ON ORDER OR WITH PRIOR WRITTEN AUTHORIZATION OF ATI.



DRAWN BY: D.Lawson, 5/17/06

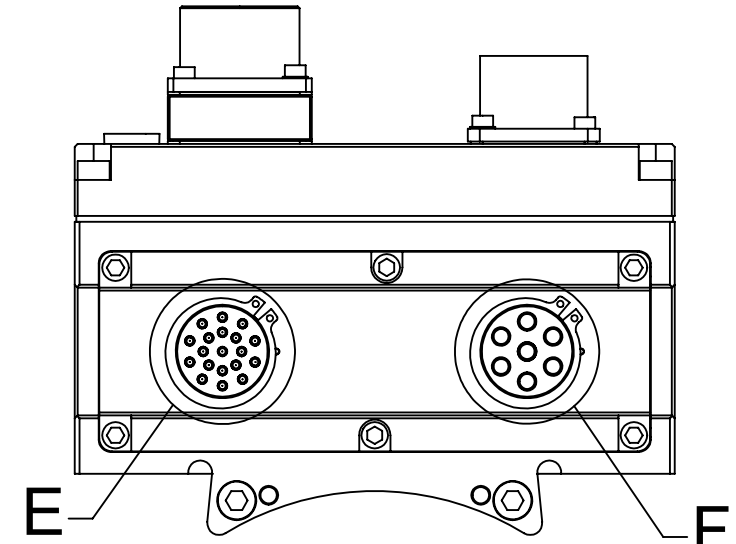
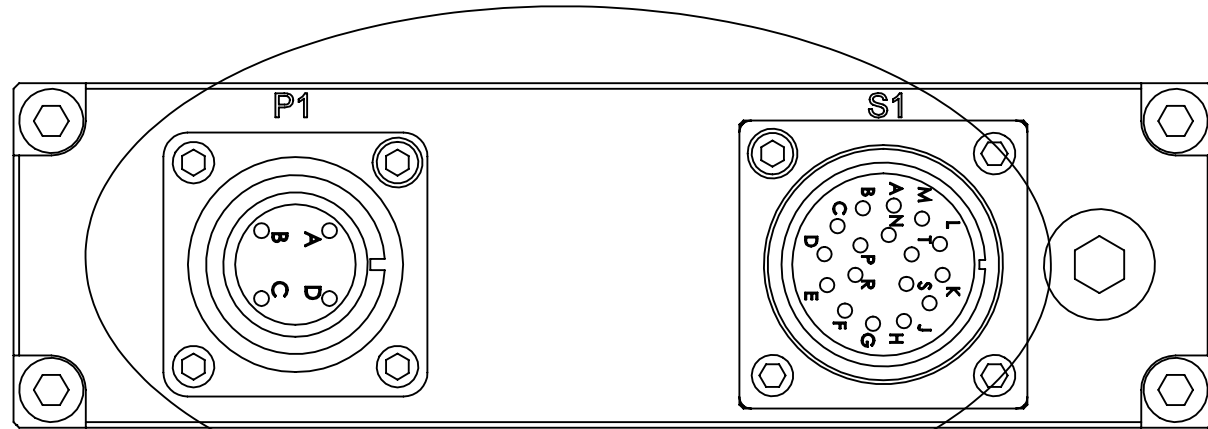
CHECKED BY: D.Swanson, 5/18/06

PROJECT # 060525-1 SHEET 2 OF 4

TITLE		SCALE		SIZE	DRAWING NUMBER	REVISION
EF5 Servo Assembly & Wiring		1:1		B	9630-20-EF5	06

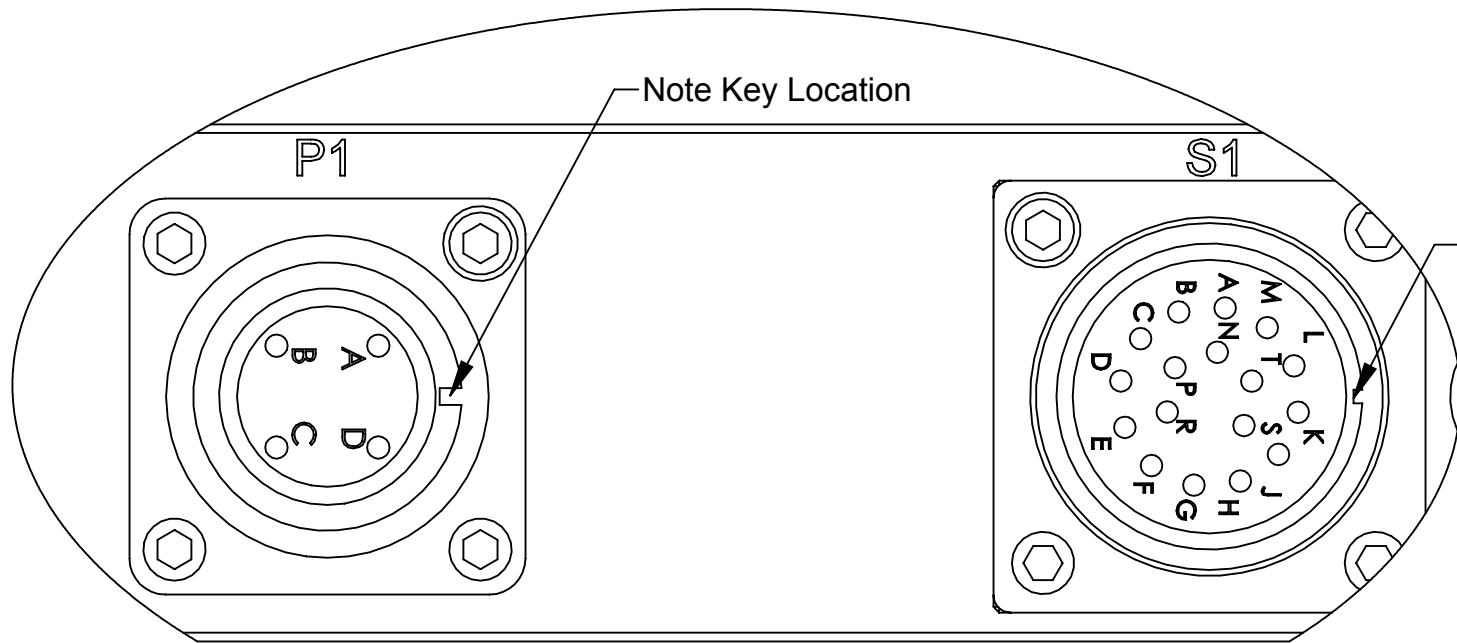
EF5 TOOL MODULE

Rev.	Description	Initiator	Date
-	See Sheet1	-	-

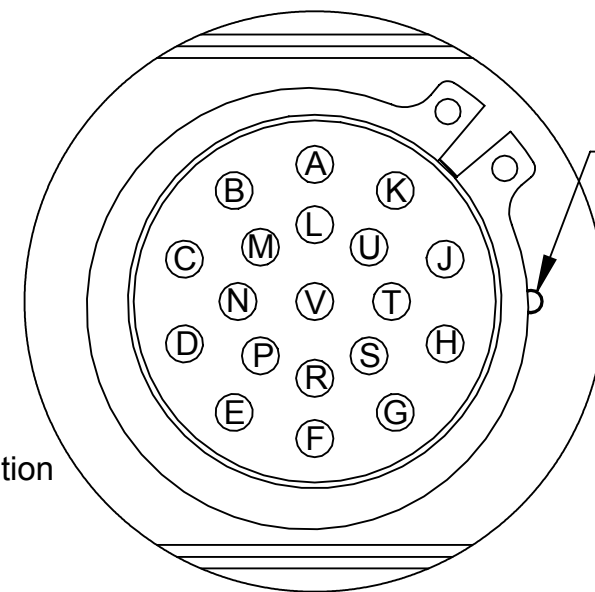


Scale 1 : 2

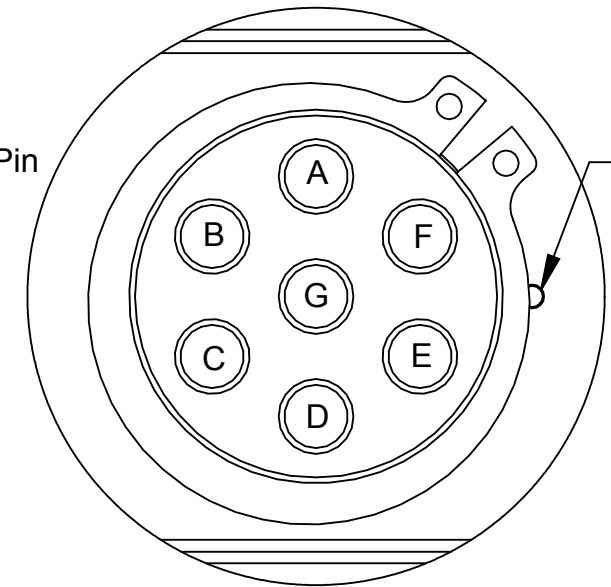
D



DETAIL D
SCALE 3 : 2



DETAIL E
SCALE 2 : 1



DETAIL F
SCALE 2 : 1

NOTES: UNLESS OTHERWISE SPECIFIED.

DO NOT SCALE DRAWING. ALL DIMENSIONS ARE IN MILLIMETERS.



3rd ANGLE PROJECTION



1031 Goodworth Drive, Apex, NC 27539, USA
Tel: +1.919.772.0115 Email: info@ati-ia.com
Fax: +1.919.772.8259 www.ati-ia.com
ISO 9001 Registered Company

PROPERTY OF ATI INDUSTRIAL AUTOMATION, INC. NOT TO BE REPRODUCED IN ANY MANNER EXCEPT ON ORDER OR WITH PRIOR WRITTEN AUTHORIZATION OF ATI.

DRAWN BY: D.Lawson, 5/17/06

CHECKED BY: D.Swanson, 5/18/06

TITLE

EF5 Servo Assembly & Wiring

PROJECT # 060525-1 SHEET 3 OF 4

SCALE
1:1

SIZE
B

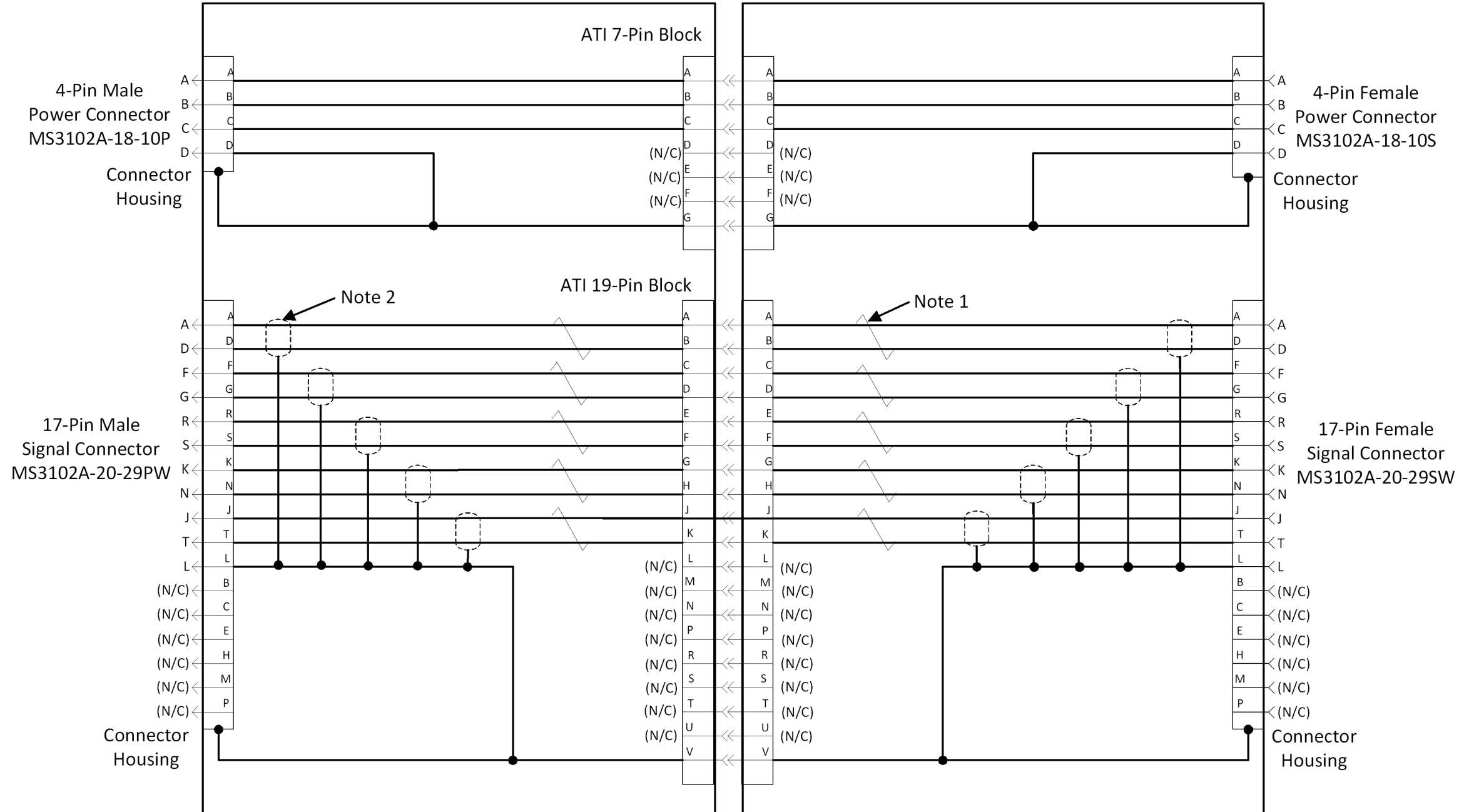
DRAWING NUMBER
9630-20-EF5

REVISION
06

Rev.	Description	Initiator	Date
-	See Sheet1	-	-

9121-EF5-M

9121-EF5-T



Notes:

1. Indicated signal pairs are twisted and shielded.
2. The signal pair shields are connected to the 17-Pin Connector Shell.
3. Pin G of the 7-Pin Block is first-to-mate, last-to-break.
4. Pin V of the 19-Pin Block is first-to-mate, last-to-break.

NOTES: UNLESS OTHERWISE SPECIFIED.

DO NOT SCALE DRAWING. ALL DIMENSIONS ARE IN MILLIMETERS.



3rd ANGLE PROJECTION



1031 Goodworth Drive, Apex, NC 27539, USA
 Tel: +1.919.772.0115 Email: info@ati-ia.com
 Fax: +1.919.772.8259 www.ati-ia.com
 ISO 9001 Registered Company

PROPERTY OF ATI INDUSTRIAL AUTOMATION, INC. NOT TO BE REPRODUCED IN ANY MANNER EXCEPT ON ORDER OR WITH PRIOR WRITTEN AUTHORIZATION OF ATI.

DRAWN BY: D.Lawson, 5/17/06		TITLE	
CHECKED BY: D.Swanson, 5/18/06		EF5 Servo Assembly & Wiring	
PROJECT #	060525-1	SHEET	4 OF 4
SCALE	1:1	SIZE	B
DRAWING NUMBER	9630-20-EF5		REVISION
			06