

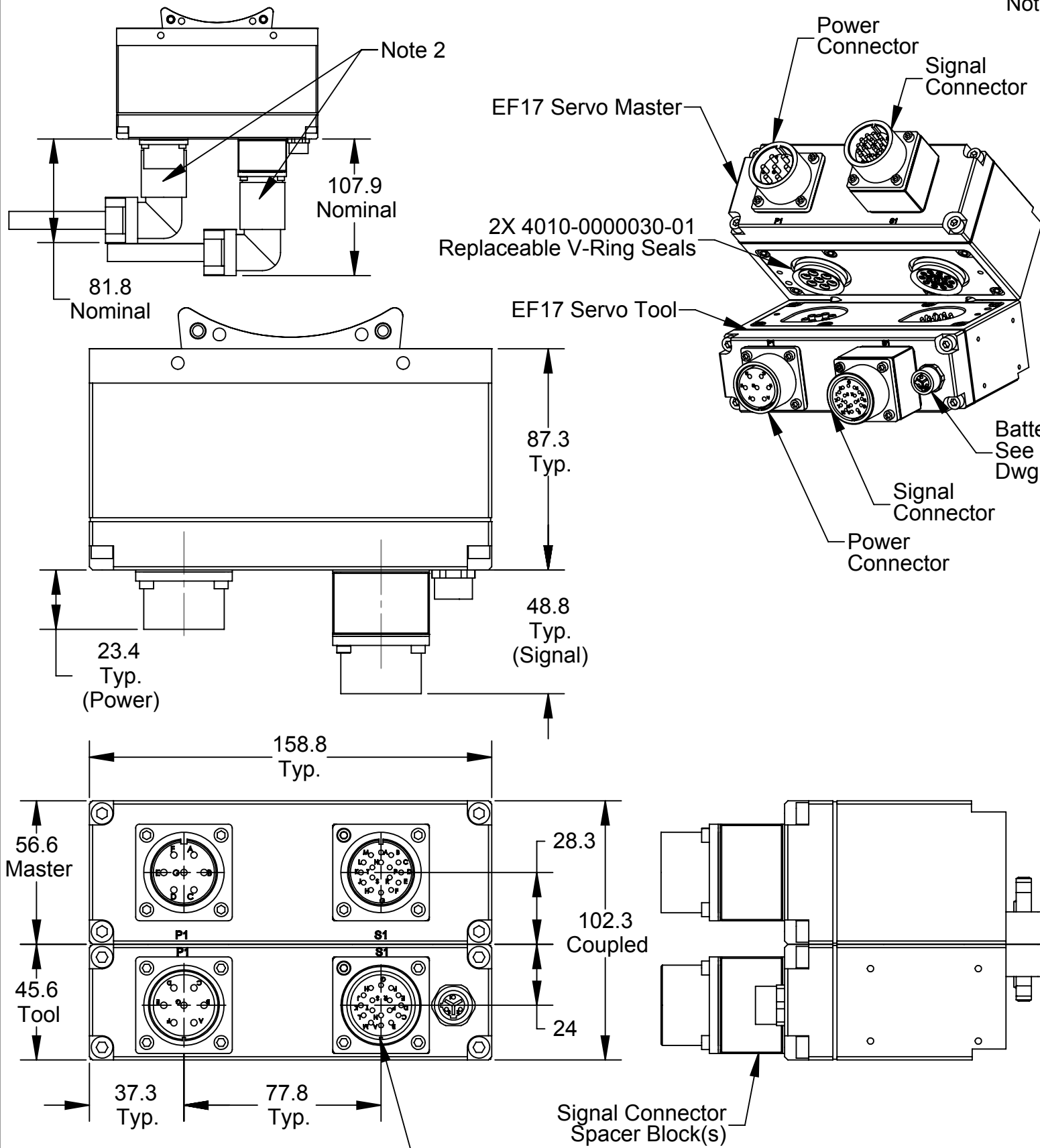
"DANGER!" - Electrical Shock Hazard

This module has a Voltage of 50V or greater, NO contact should be attempted before removing power. This especially includes separation or insertion of the mating connectors or any contact with the tool changer or its components.

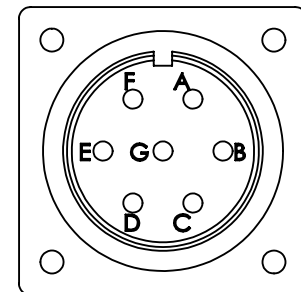
Notes:

1. Do not couple or uncouple the servo modules unless electrical power has been disconnected and discharged both upstream and downstream from the modules.
2. Right angle connectors shown for reference. Not supplied by ATI.

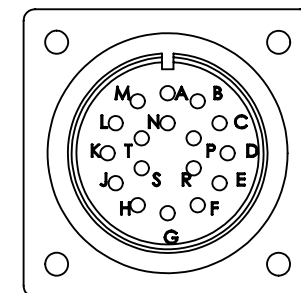
Rev.	Description	Initiator	Date
03	Eco 13418; Removed Clear Assemblies. Updated Electrical Shock Note.	CF	6/22/2015



MASTER SIDE CONNECTORS

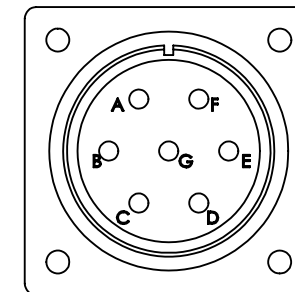


POWER CONNECTOR MS3102E20-15P

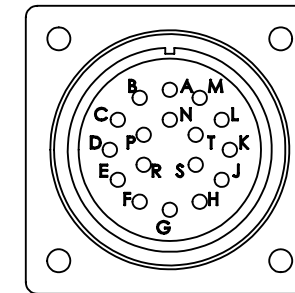


SIGNAL CONNECTOR MS3102E20-29P

TOOL SIDE CONNECTORS



POWER CONNECTOR MS3102E20-15S

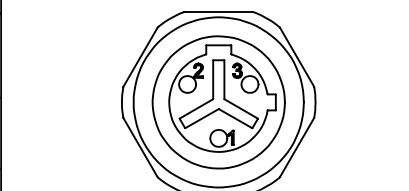


SIGNAL CONNECTOR MS3102E20-29S

Power			
Master Connector		Tool Connector	Function
A	-----	A	U
C	-----	C	V
E	-----	E	W
G	-----	G	Gnd
F	-----	F	Brake
D	-----	D	Brake

Signal			
Master Connector		Tool Connector	Function
E	-----	E	*RD (5)
F	-----	F	RD (6)
P	-----	P	FG (3)
A	-----	A	+5V (8)
B	-----	B	0V (7)
D	-----	D	+5V (9)
G	-----	G	0V (10)
C	-----	C	+6V (4) Batt
Shell	-----	Shell	

Battery Backup			
Tool Connector		Battery Connector	Function
C	-----	3	+6V (4) Battery
B	-----	2	0V (7) Battery



BATTERY CONNECTOR TURCK FKB3-05

RD & *RD Are Twisted and Shielded (Battery Power is Diode Protected)

2X Tool Connector Keys "DOWN"
2X Master Connector Keys "UP"
No Battery Connector Orientation

NOTES: UNLESS OTHERWISE SPECIFIED.

DO NOT SCALE DRAWING. ALL DIMENSIONS ARE IN MILLIMETERS.



1031 Goodworth Drive, Apex, NC 27539, USA
Tel: +1.919.772.0115 Email: info@ati-ia.com
Fax: +1.919.772.8259 www.ati-ia.com
ISO 9001 Registered Company

PROPERTY OF ATI INDUSTRIAL AUTOMATION, INC. NOT TO BE REPRODUCED IN ANY MANNER EXCEPT ON ORDER OR WITH PRIOR WRITTEN AUTHORIZATION OF ATI.

DRAWN BY: D.Lawson, 6/11/10		TITLE	
CHECKED BY: DTM&DSS, 6/11/10		EF17 Servo Assembly & Wiring	
PROJECT # 100611-1	SHEET 1 OF 1	SCALE 1:2	SIZE B
		DRAWING NUMBER 9630-20-EF17	REVISION 03