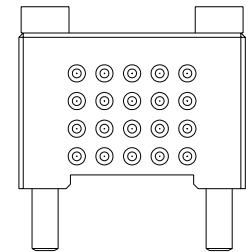
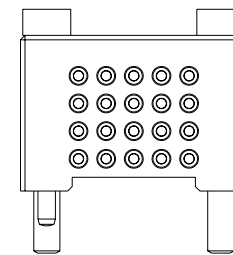
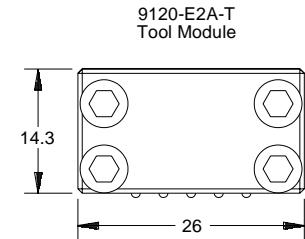
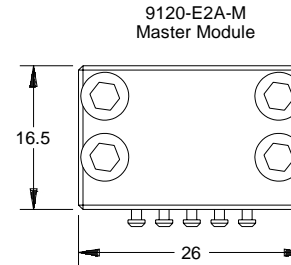
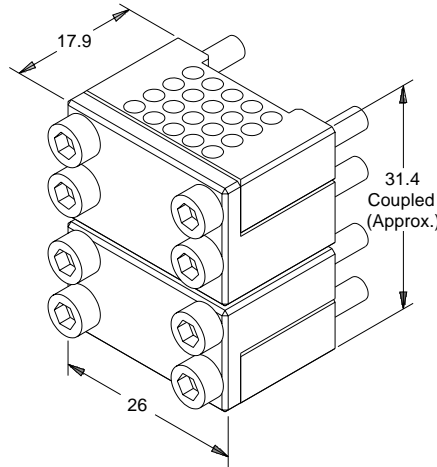
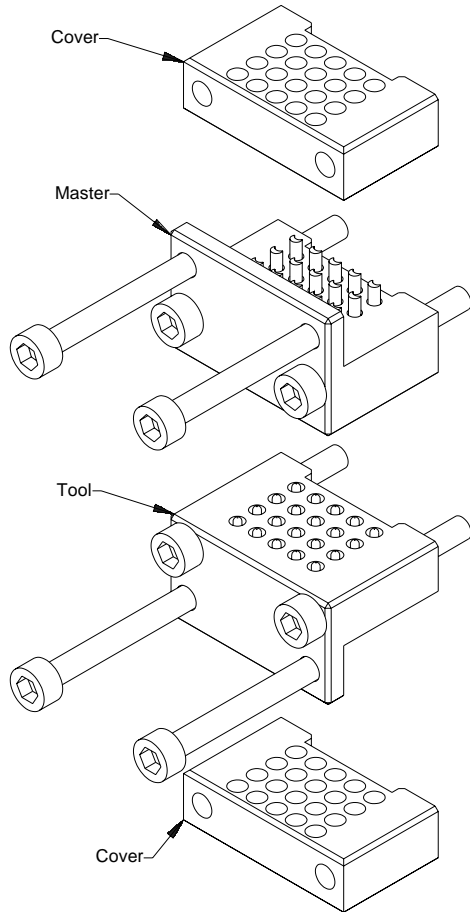


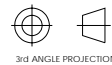
PROPERTY OF ATI INDUSTRIAL AUTOMATION, INC.
 NOT TO BE REPRODUCED IN ANY MANNER EXCEPT ON
 ORDER OR WITH PRIOR WRITTEN AUTHORIZATION OF ATI.

Rev.	Description	Initiator	Date
02	Initial Issue	JHS	7/27/2004



Notes:
 1. The E2A is a customer configurable 20-pin module designed to fit the QC-5, providing 3A/50V rated gold plated contacts with solder connections in a miniature size.

NOTES: UNLESS OTHERWISE SPECIFIED
 DO NOT SCALE DRAWING. DRAWN IN SOLIDWORKS.
 ALL DIMENSIONS ARE IN MILLIMETERS.



1031 Goodworth Drive, Apex, NC 27539, USA
 Tel: +1.919.772.0115 Email: info@ati-ia.com
 Fax: +1.919.772.8259 www.ati-ia.com
 ISO 9001 Registered Company

DRAWN BY: J.Snape 2/5/04	TITLE: E2A Module for QC-5 (20-Pin)		
CHECKED BY: BKD 2/5/04	SCALE: 2:1	SIZE: B	DRAWING NUMBER: 9630-20-E2A-02
WEIGHT LBS: 0.07	ASSEMBLY REF: PRODUCT RELEASE # 040122-2 DATE: 8/10/04 SHEET 1 OF 1		