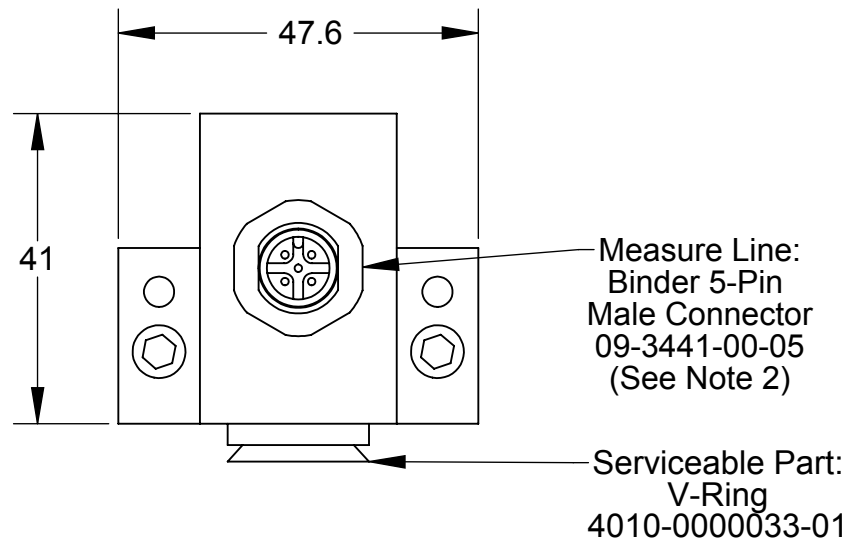
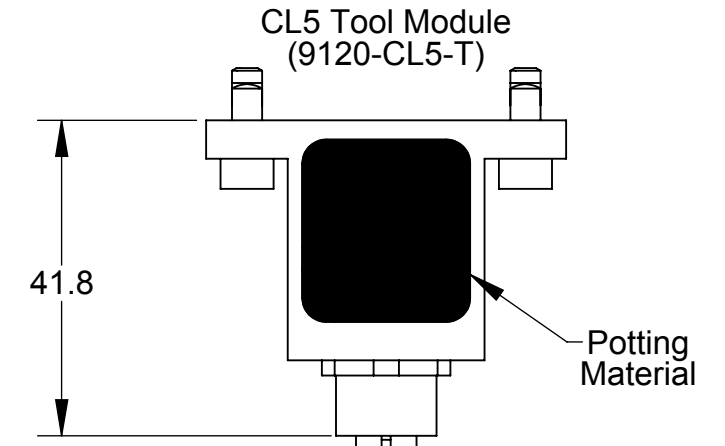
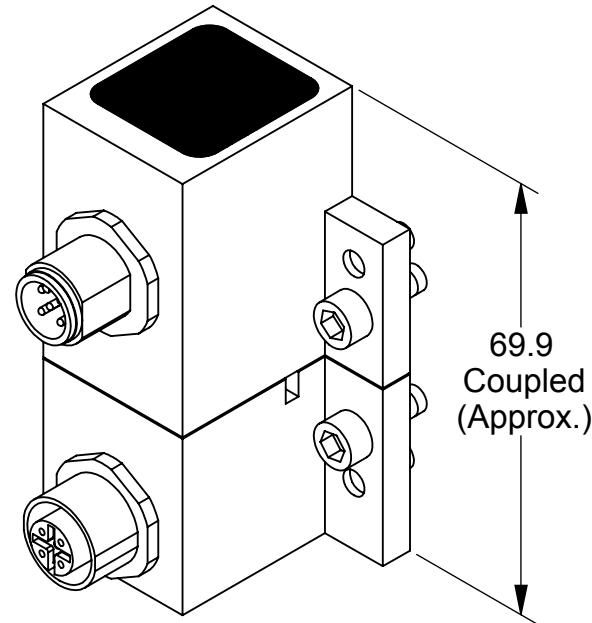
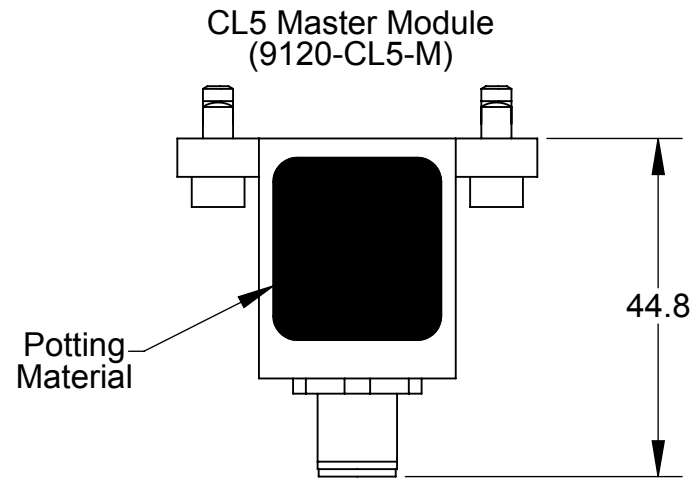
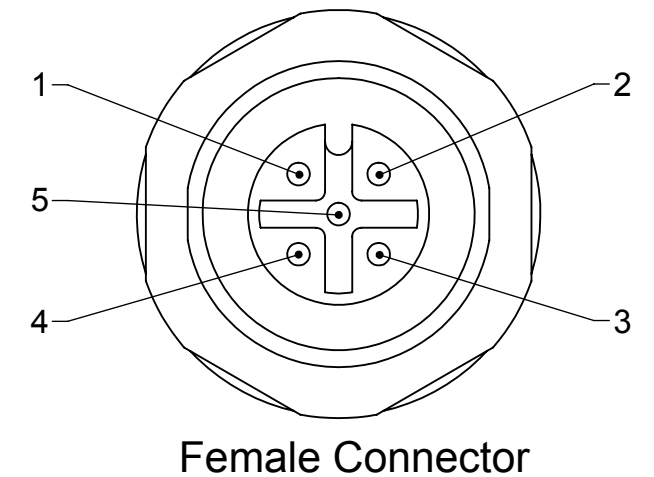
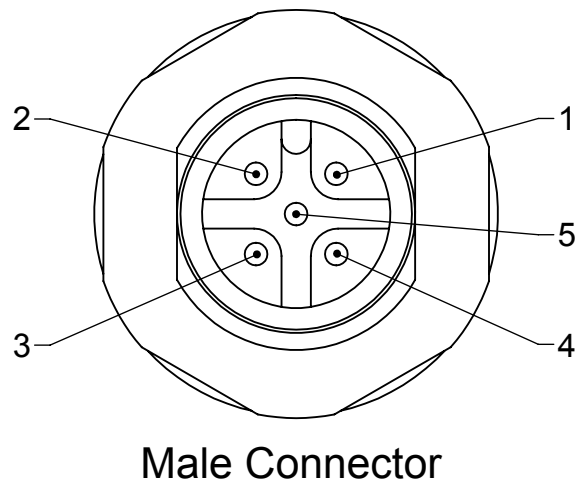
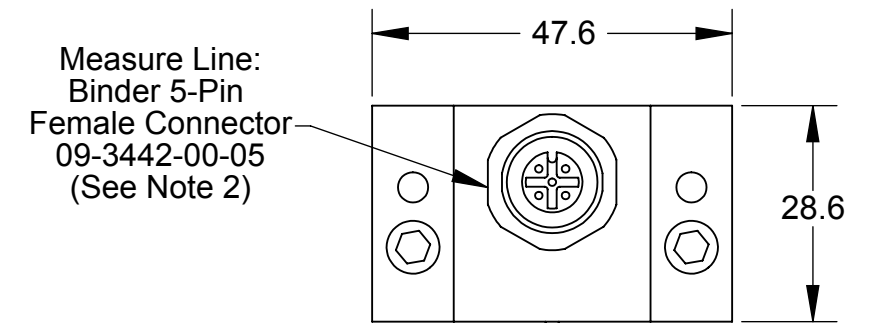


Rev.	Description	Initiator	Date
01	Initial Issue	PS	8/27/2008
02	Added 24AWG to wiring table.	PS	9/8/2008



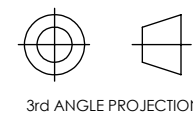
CL5 Pin Out	
CL5 Master Male Connector	CL5 Tool Female Connector
1 - - - - - >> - - - - -	1
2 - - - - - >> - - - - -	2
3 - - - - - >> - - - - -	3
4 - - - - - >> - - - - -	4
5 - - - - - Shield - - - - -	5

Paired wires are twisted  
 All wires 24AWG



Notes:  
 1. Large views of connectors are 3:1 scale.  
 2. Connector orientation is not guaranteed.

NOTES: UNLESS OTHERWISE SPECIFIED  
 DO NOT SCALE DRAWING. DRAWN IN SOLIDWORKS.  
 ALL DIMENSIONS ARE IN MILLIMETERS.



1031 Goodworth Drive, Apex, NC 27539, USA  
 Tel: +1.919.772.0115 Email: info@ati-ia.com  
 Fax: +1.919.772.8259 www.ati-ia.com  
 ISO 9001 Registered Company

DRAWN BY: P.Sparrow, 8/27/08	TITLE CL5 Module Drawing		
CHECKED BY: W.Berrocal, 8/29/08	SCALE 1:1	SIZE B	DRAWING NUMBER 9630-20-CL5-02
WEIGHT LBS:	PRODUCT RELEASE # 080819-1		DATE:
ASSEMBLY REF:	SHEET 1 OF 1		