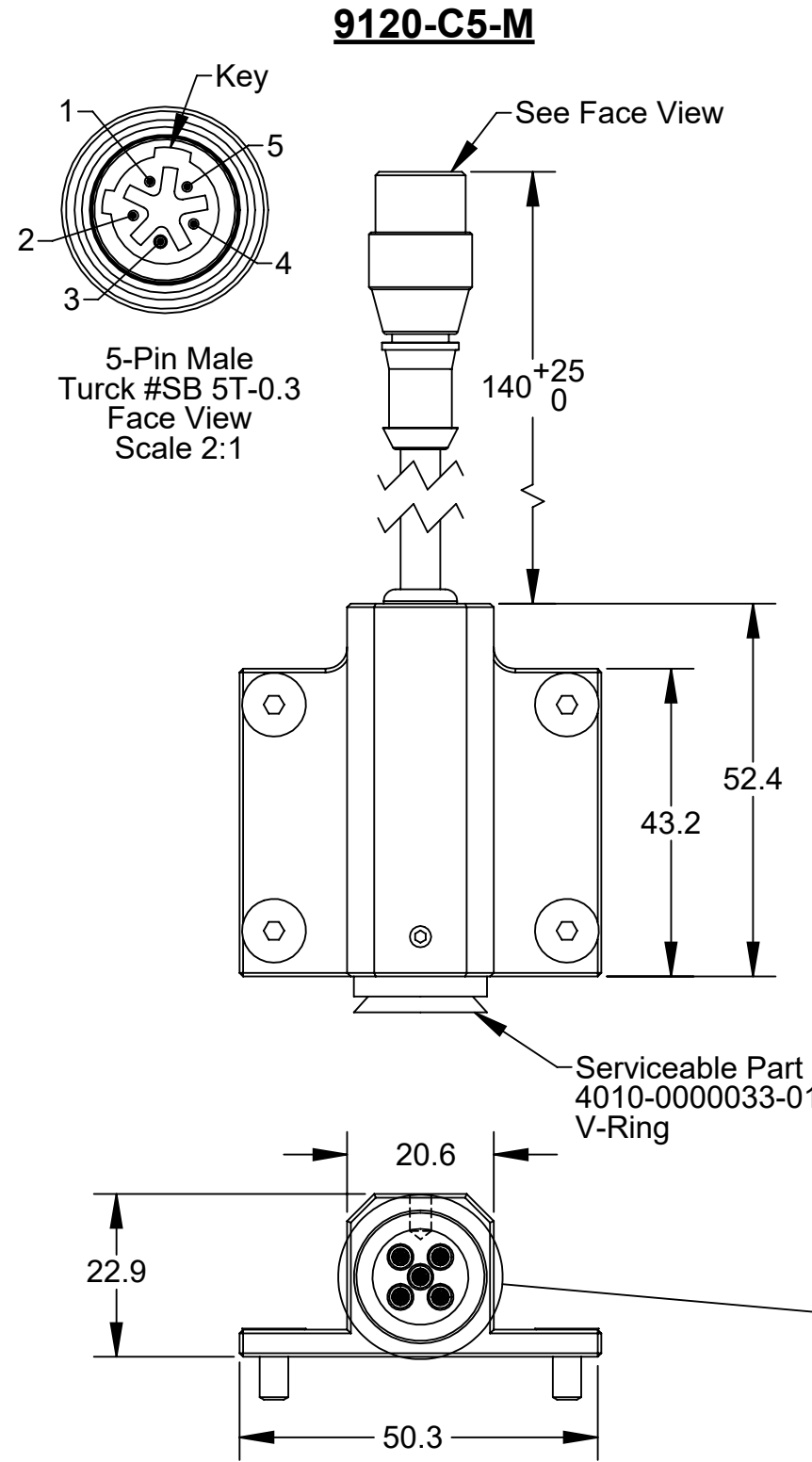
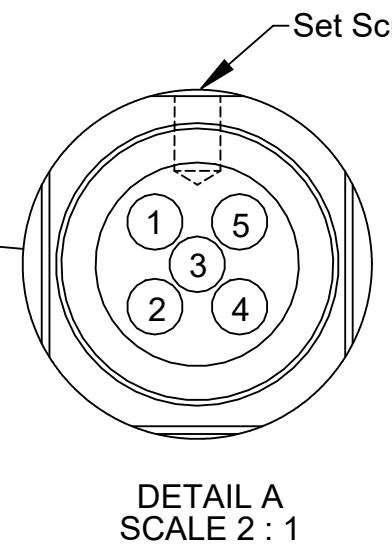
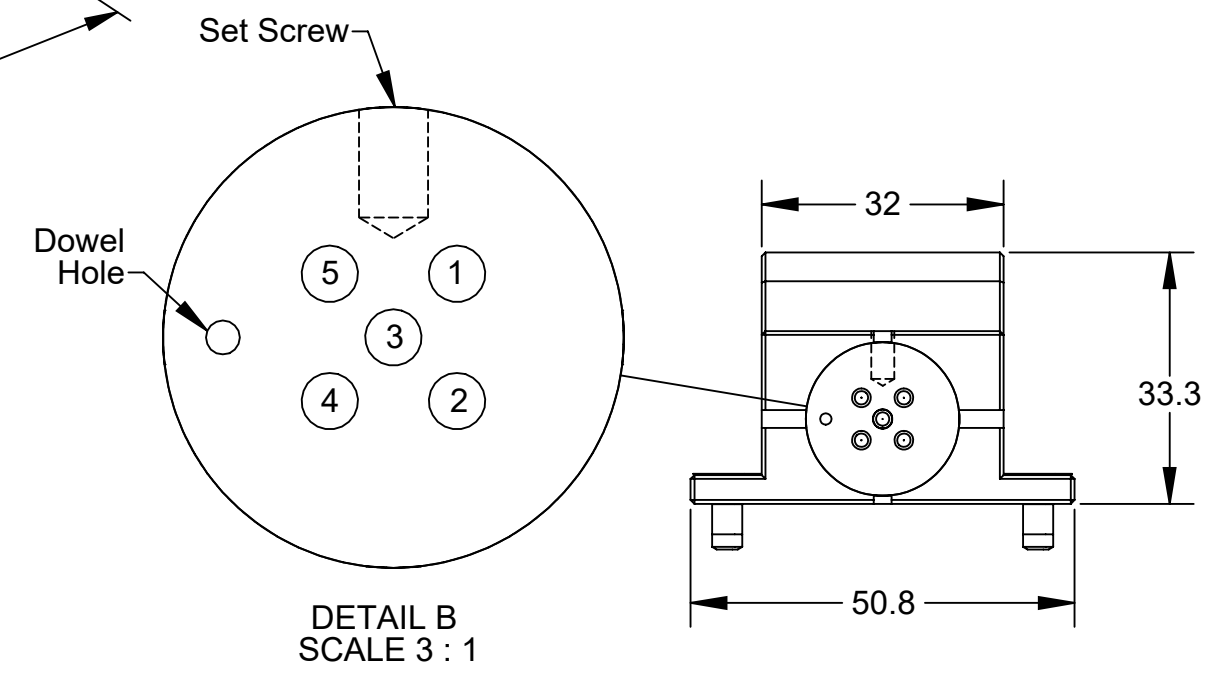
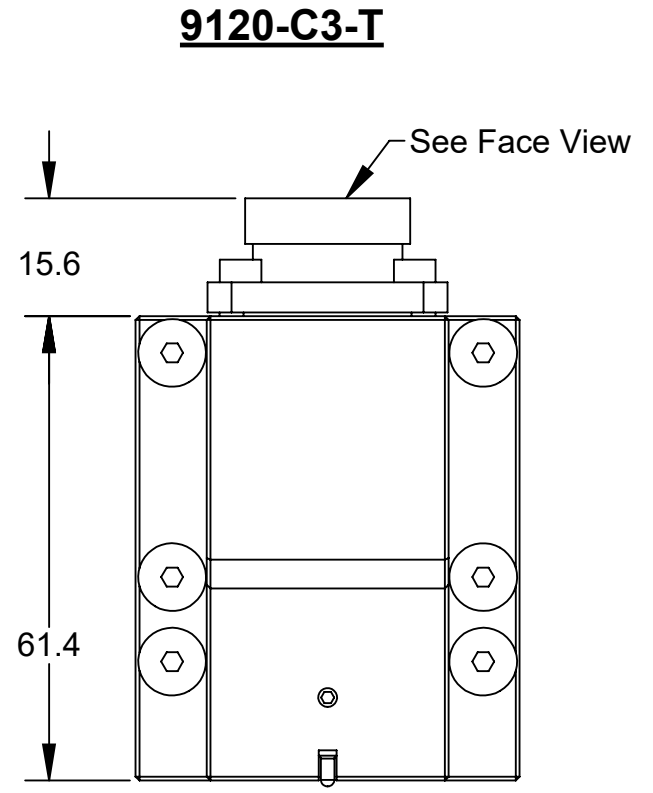
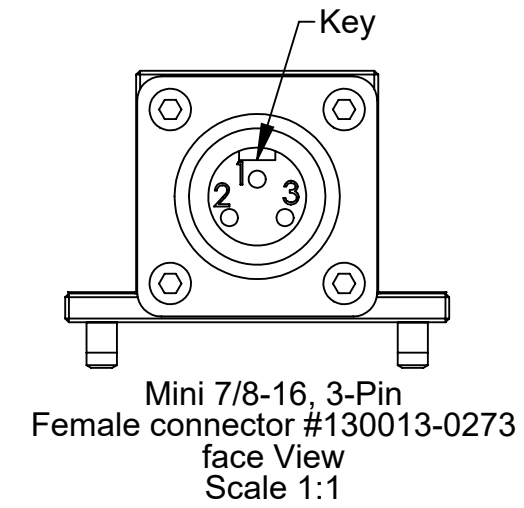
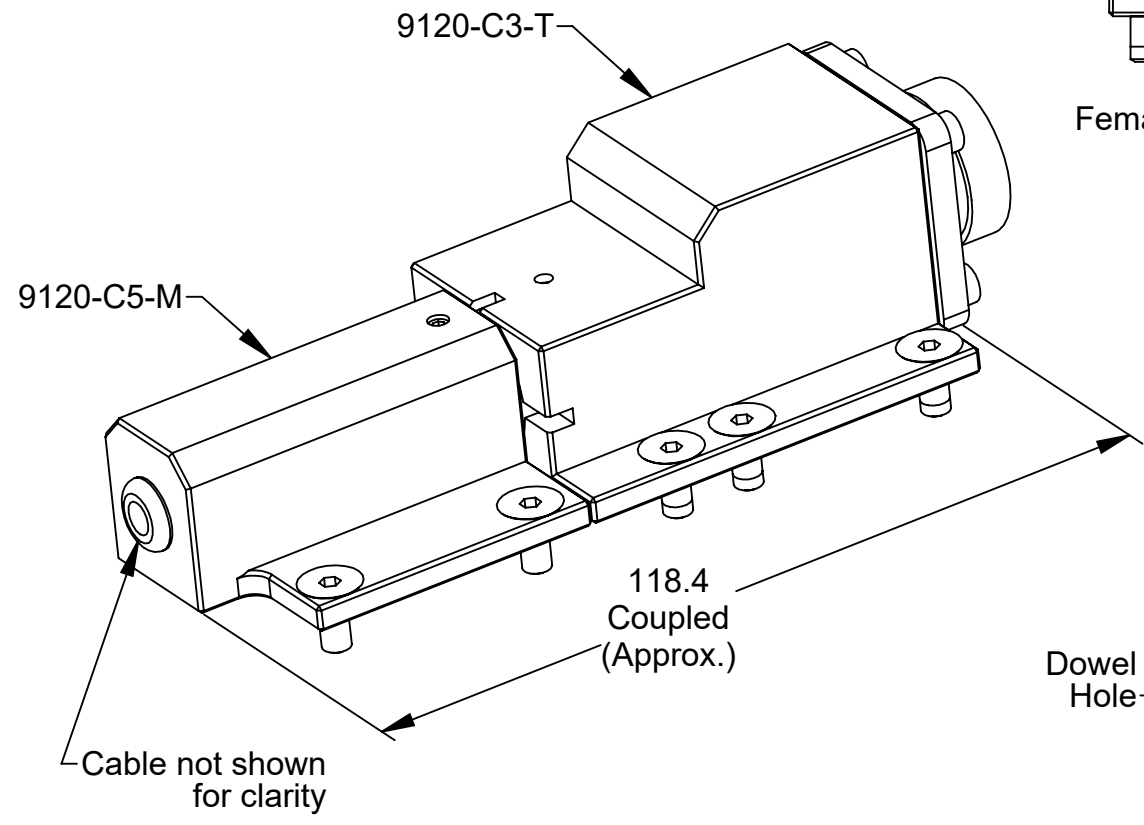


Rev.	Description	Initiator	Date
03	Eco 20036; Removed High Voltage warning label, Note 1 was "3A / 50VAC"	LJH	8/20/2021



- Notes:
1. Module Electrical rating: 3AMPS / <50V
 2. Customer approval of electrical schematic is required.
 3. Customer is to approve connector selection and orientation.
 4. See sheet 2 for module wiring schematic.



NOTES: UNLESS OTHERWISE SPECIFIED.

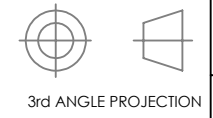
DO NOT SCALE DRAWING. ALL DIMENSIONS ARE IN MILLIMETERS.



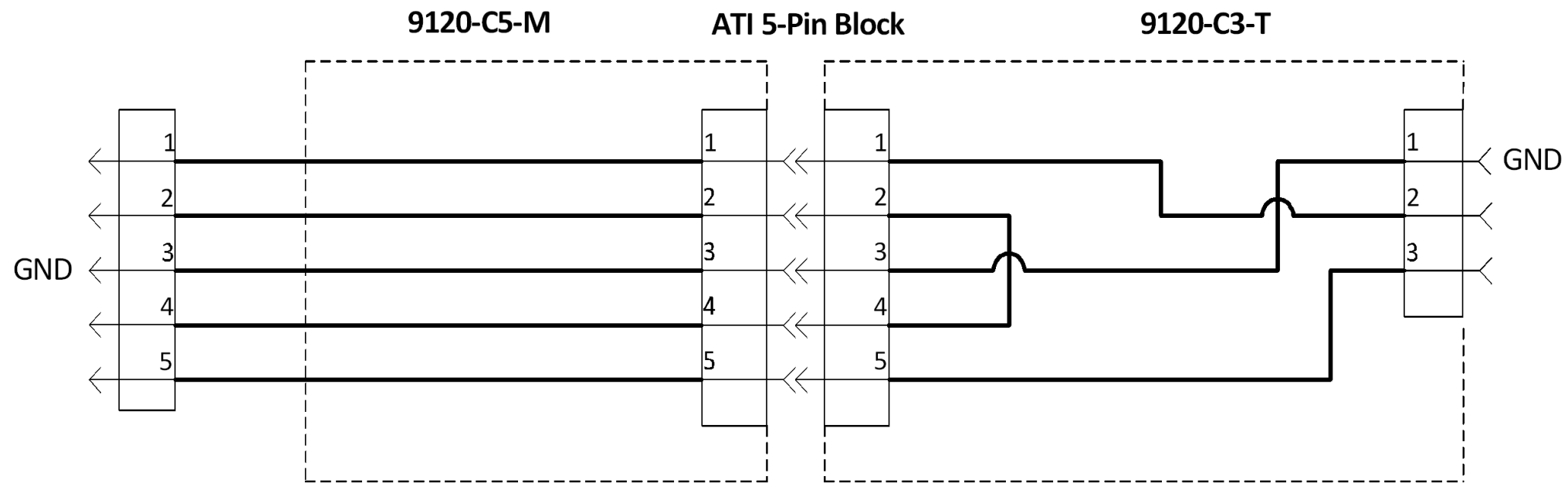
1031 Goodworth Drive, Apex, NC 27539, USA
 Tel: +1.919.772.0115 www.ati-ia.com
 Fax: +1.919.772.8259 ISO 9001 Registered Company

PROPERTY OF ATI INDUSTRIAL AUTOMATION, INC. NOT TO BE REPRODUCED IN ANY MANNER EXCEPT ON ORDER OR WITH PRIOR WRITTEN AUTHORIZATION OF ATI.

DRAWN BY: P.Luczka, 2/18/15		TITLE	
CHECKED BY: A.Takla, 2/27/15		C5M / C3T Electrical Pass Through Module, Customer Drawing	
D. Fleissner, 6/22/15		SCALE	SIZE
PROJECT # -	SHEET 1 OF 2	1:1	B
		DRAWING NUMBER	REVISION
		9630-20-C5M C3T	03



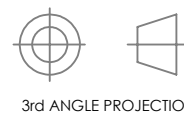
Turck
5-Pin Male Cordset



Mini 7/8-16,
3-Pin Female Connector

NOTES: UNLESS OTHERWISE SPECIFIED.

DO NOT SCALE DRAWING.
ALL DIMENSIONS ARE IN
MILLIMETERS.



3rd ANGLE PROJECTION



1031 Goodworth Drive, Apex, NC 27539, USA
Tel: +1.919.772.0115 www.ati-ia.com
Fax: +1.919.772.8259 ISO 9001 Registered Company

PROPERTY OF ATI INDUSTRIAL AUTOMATION, INC. NOT TO BE REPRODUCED IN ANY MANNER EXCEPT ON ORDER OR WITH PRIOR WRITTEN AUTHORIZATION OF ATI.

DRAWN BY: P.Luczka, 2/18/15		TITLE		
CHECKED BY: A.Takla, 2/27/15 D. Fleissner, 6/22/15		C5M / C3T Electrical Pass Through Module, Customer Drawing		
PROJECT # -	SHEET 2 OF 2	SCALE	SIZE	DRAWING NUMBER
		1:1	B	9630-20-C5M C3T
				REVISION
				03